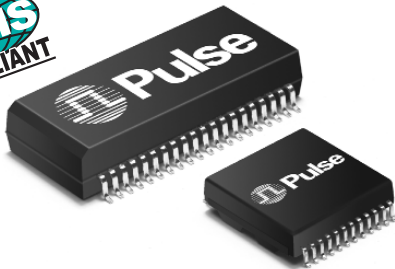


10/100BASE-TX DUAL PORT TRANSFORMER MODULES

For Use with Transceivers Requiring 1:1 Transmit and Receive Turns Ratios



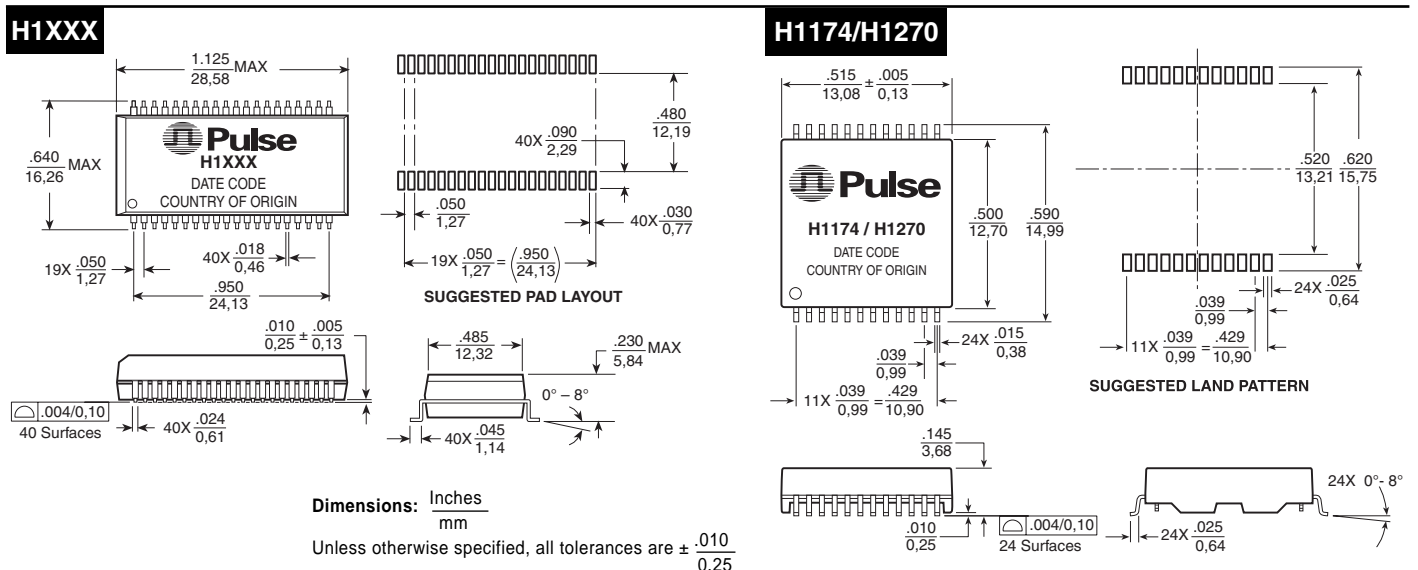
- RoHS-5 peak reflow temperature rating 235°C
- RoHS-6 peak reflow temperature rating 245°C
- Meets IEEE 802.3 specification
- Some models offer AutoMDIX capability

Electrical Specifications @ 25°C — Operating Temperature 0°C to 70°C

RoHS-5 ⁵ Compliant Part Number	RoHS-6 ⁶ Compliant Part Number	Insertion Loss (dB TYP)	Return Loss (dB MIN)				Crosstalk (dB TYP)				Differential to Common Mode Rejection (dB TYP)	
			0.1-100MHz	2-30MHz	40MHz	50MHz	60-80MHz	1MHz	30MHz	60MHz	100MHz	1-60MHz
H1026	—	-0.5	-21	-17	-14.5	-12	-65	-55	-45	-35	-40	-30
H1027	H102NL ^{6d}	-0.5	-21	-17	-14.5	-12	-65	-55	-45	-35	-53	-40
H1028	H1028NL ^{6d}	-0.5	-21	-17	-14.5	-12	-65	-55	-45	-35	-45	-35
H1049	H1049 NL ^{6d}	-0.5	-21	-17	-14.5	-12	-65	-55	-45	-35	-45	-35
H1114	H1114 NL ^{6d}	-1.2	-16	-14	-13	-12	-50	-45	-40	-35	-37	-33
H1200	H1200NL ^{4d}	-1.0	-16	-14.4	-13	-12	-50	-45	-40	-35	-37	-33
H1174	H1174 NL ^{6a}	-1.2	-18	-16	-14	-12	-60	-45	-40	-35	-45	-35
H1270 ²	H1270NL ^{2, 6a}	-1.2	-18	-16	-14	-12	-60	-45	-40	-35	-45	-35
HX1294 ³	HX1294NL ^{3, 6c}	-1.2	-16	-14	-13.5	-10	-55	-45	-40	-35	-30	-20

- All models meet input/output breakdown (Hipot) of 1500 Vrms.
- Suitable for AutoMDIX applications.
- Operating Temperature -40°C to +85°C.
- RoHS-5: Product does not contain 5 out of the 6 banned substances specified in the RoHS directive (product contains lead in applications considered solder).
- RoHS-6: Product does not contain 5 out of the 6 banned substances specified in the RoHS directive. Some internal connections may contain lead in high-temperature solder (solder alloys containing more than 85% lead).
- MSL= Moisture Sensivity Level a=1 b=2 c=3 d=4.

Mechanicals



10/100BASE-TX DUAL PORT TRANSFORMER MODULES

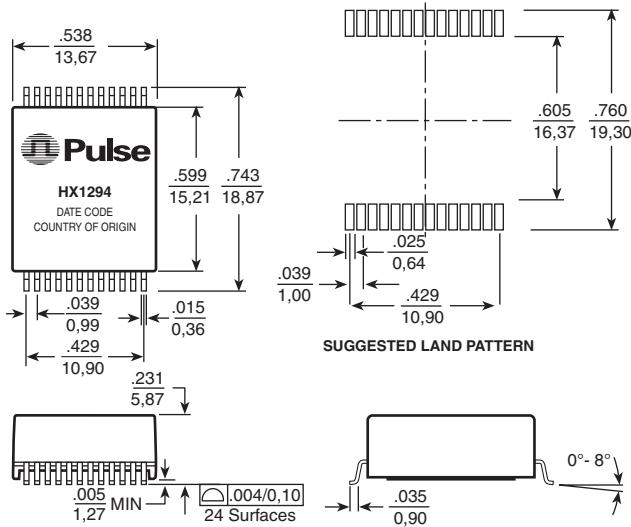
For Use with Transceivers Requiring 1:1 Transmit and Receive Turns Ratios



Mechanicals (continued)

Schematics

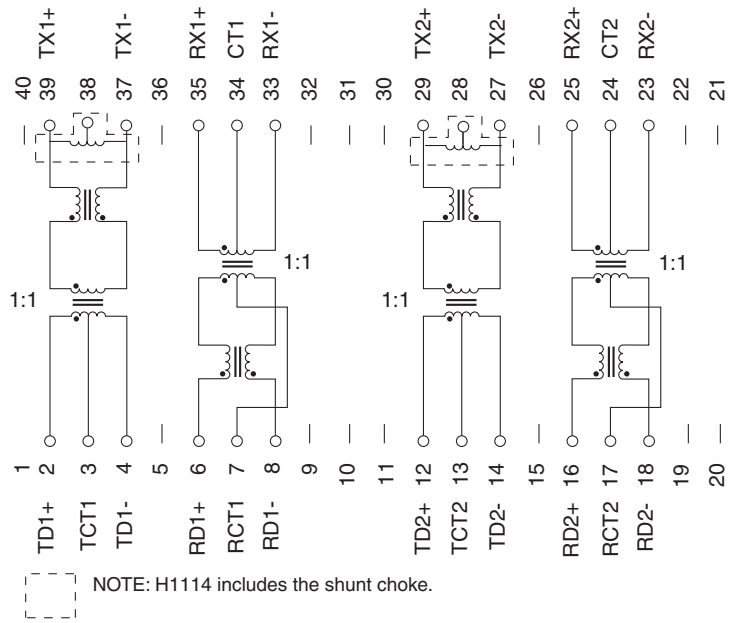
HX1294



Dimensions: Inches
mm
Unless otherwise specified,
all tolerances are $\pm \frac{.010}{0,25}$

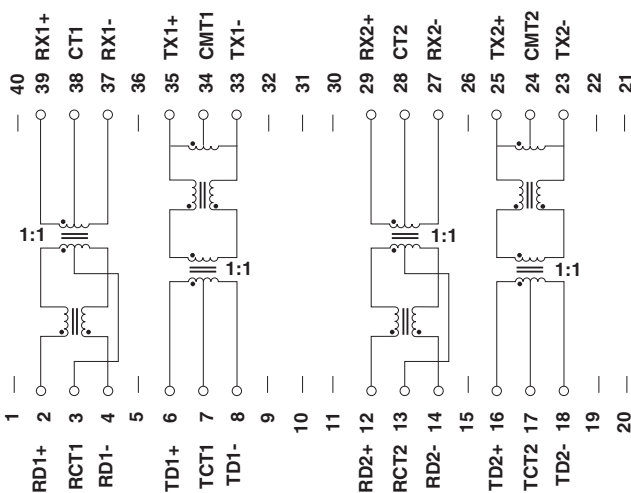
Weight1.6 grams
Tape & Reel300/reel
Tube35/tube

H1026, H1114

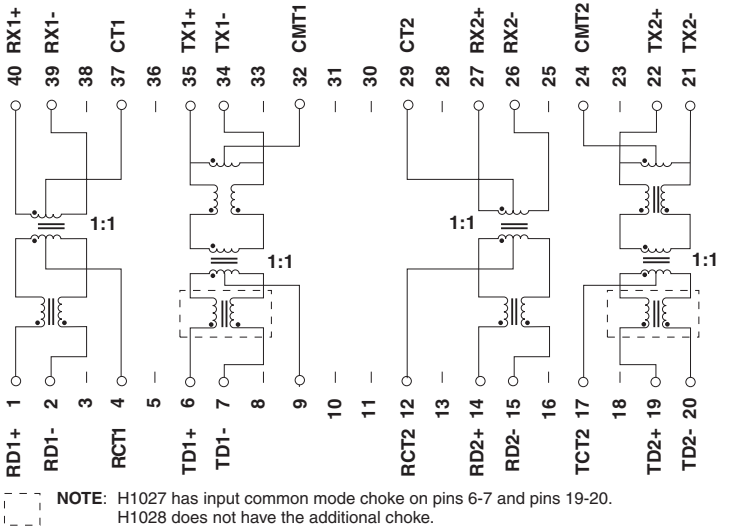


Schematics (continued)

H1049



H1027, H1028



Dual Port Solutions: The H1027, H1028, H1049, and H1026 are designed to support two RJ-45 connectors. The H1027 and the H1028 have the same pinout. The H1027 has an additional common mode choke on both transmit channels. The H1049 and the H1026 offer different pinouts for design flexibility.

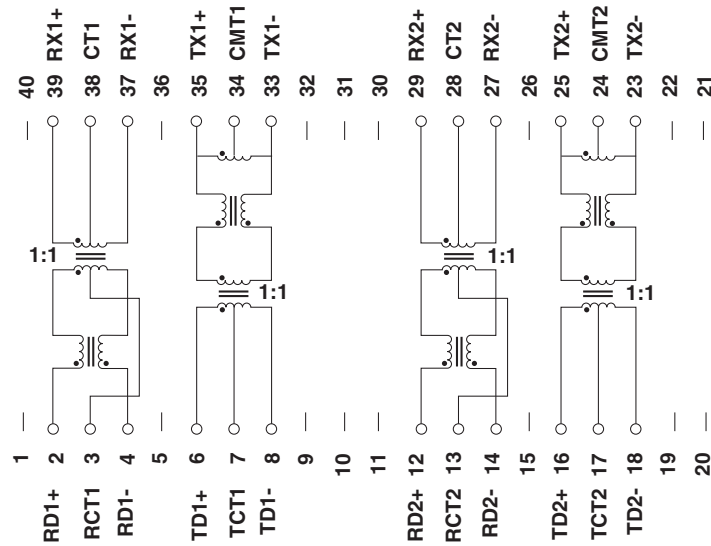
10/100BASE-TX DUAL PORT TRANSFORMER MODULES

For Use with Transceivers Requiring
1:1 Transmit and Receive Turns Ratios

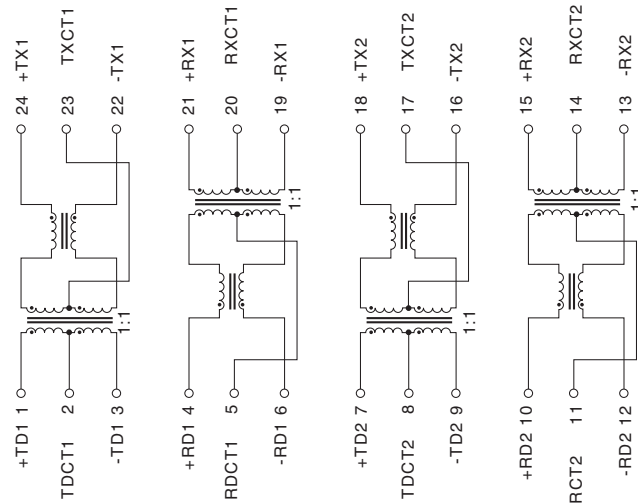


Schematics (continued)

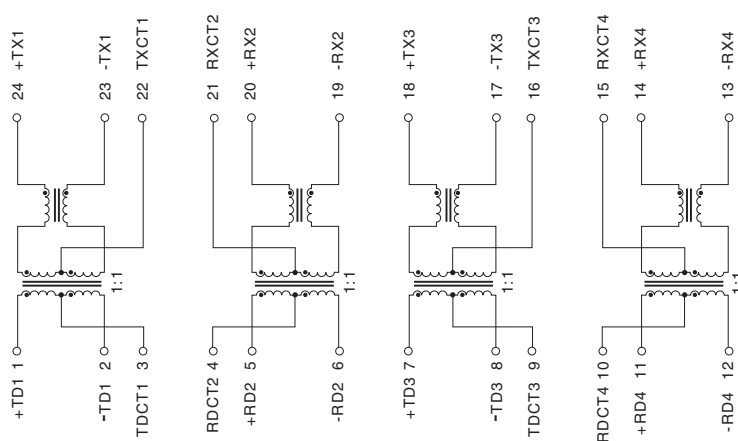
H1200



H1174



H1270, HX1294



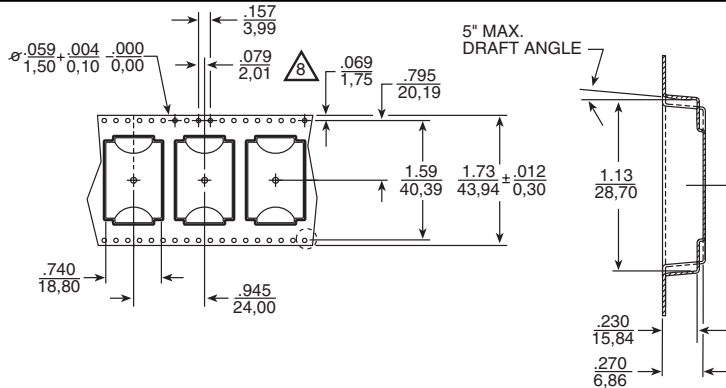
10/100BASE-TX DUAL PORT TRANSFORMER MODULES

For Use with Transceivers Requiring
1:1 Transmit and Receive Turns Ratios



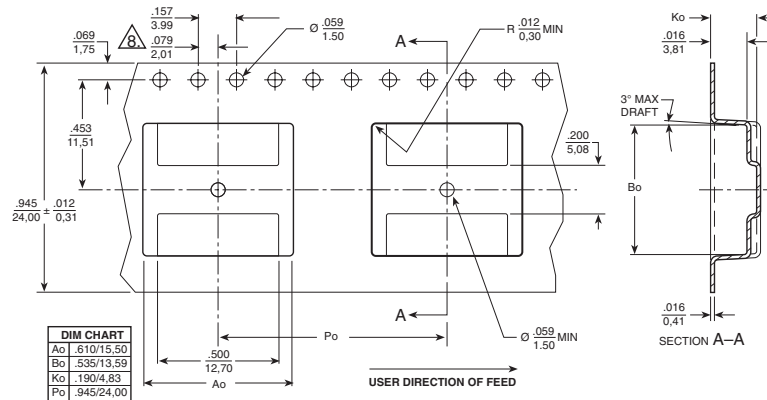
Tape & Reel Specifications

H1XXX



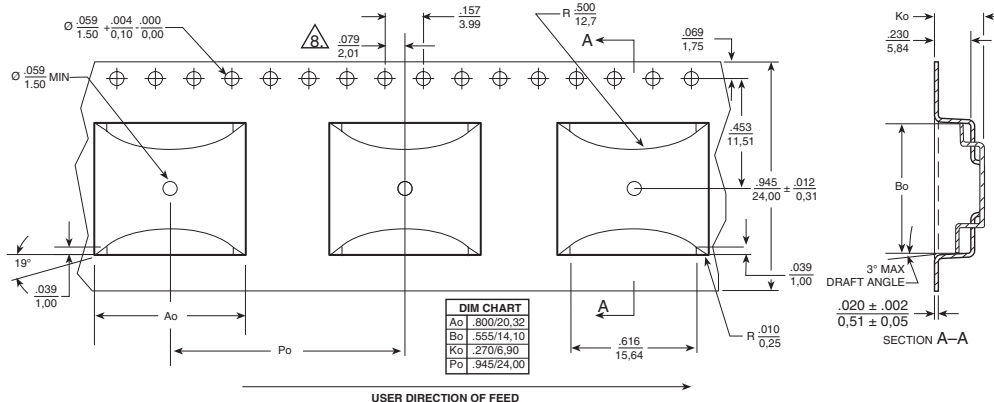
Weight4.0 grams TYP
Tube15/tube
Tape & Reel250/reel

H1174/H1270



Weight1.5 grams TYP
Tube35/tube
Tape & Reel500/reel

HX1294



For More Information:

Pulse Worldwide Headquarters

12220 World Trade Dr.
San Diego, CA 92128
U.S.A.

www.pulseeng.com

TEL: 858 674 8100
FAX: 858 674 8262

Pulse European Headquarters

Einsteinstrasse 1
71083 Herrenberg
Germany

TEL: 49 7032 7806 0
FAX: 49 7032 7806 12

Pulse China Headquarters

No. 1
Industrial District
Changan, Dongguan
China

TEL: 86 769 85538070
FAX: 86 769 85538870

Pulse North China

Room 1503
XinYin Building
No. 888 YiShan Rd.
Shanghai 200233
China

TEL: 86 21 54643211/2
FAX: 86 21 54643210

Pulse South Asia

150 Kampong Ampat
#07-01/02
KA Centre
Singapore 368324

TEL: 65 6287 8998
FAX: 65 6280 0080

Pulse North Asia

No. 26
Kao Ching Rd.
Yang Mei Chen
Taoyuan Hsien
Taiwan, R. O. C.

TEL: 886 3 4641811
FAX: 886 3 4641911

Performance warranty of products offered on this data sheet is limited to the parameters specified. Data is subject to change without notice. Other brand and product names mentioned herein may be trademarks or registered trademarks of their respective owners.
© Copyright, 2006. Pulse Engineering, Inc. All rights reserved.