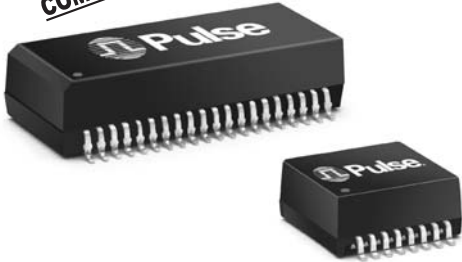


10/100BASE-TX TRANSFORMER MODULES

For Auto MDI/MDIX Applications



- For RoHS part add suffix **NL⁵**
- Peak solder temperature rating per Table 5-2 in IPC/JEDEC J-STD-020C
- Symmetrical TX and RX channels for Auto MDI/MDIX capability
- Approved for use with the Broadcom BCM5226 and Level One LXT9784
- Meets IEEE 802.3 specification

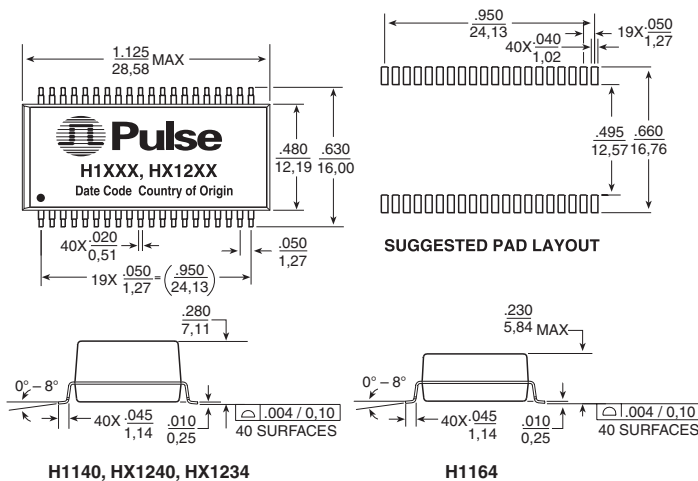
Electrical Specifications @ 25°C — Operating Temperature 0°C to 70°C

Part ² Number	RoHS ⁵	Insertion Loss (MAX)	Return Loss (dB MIN)					Crosstalk (dB MIN)				Differential to Common Mode Rejection (dB MIN)		Hipot (Vrms MIN)
			0.1-100MHz	2-30MHz	40MHz	50MHz	60-80MHz	1kHz	30MHz	60MHz	100MHz	1-60MHz	60-200MHz	
H1140	3, 4c	-1.0	-18	-14.4	-13.1	-12	-65	-50	-40	-35	-40	-35	1500	
H1141	3, 4c	-1.0	-18	-14.4	-13.1	-12	-65	-50	-40	-35	-40	-35	1500	
H1164	NL ^{4d}	-1.0	-18	-14.4	-13.1	-12	-55	-45	-40	-33	-37	-25	1500	
HX1234 ¹	NL ^{4c}	-1.4	-18	-14.4	-13.1	-12	-55	-45	-40	-33	-37	-25	1500	
HX1240 ¹	3, 4c	-1.0	-16.5	-16	-15.5	-12	-60	-43	-38	-33	-43	-27	1500	

1. Operating Temperature -40°C to +85°C
2. For Tape & Reel packaging, add a "T" suffix at the end of the part number when ordering, e.g. H1164T
3. Contact Pulse for RoHS compliant part availability
4. MSL=Moisture Sensitivity Level a=1 b=2 c=3 d=4
5. Add suffix **NL** for RoHS compliant parts, e.g. H1164 changes to H1164NL or H1164NLT (for Tape and Reel)

Mechanicals

H1140, H1164, HX1234, HX1240

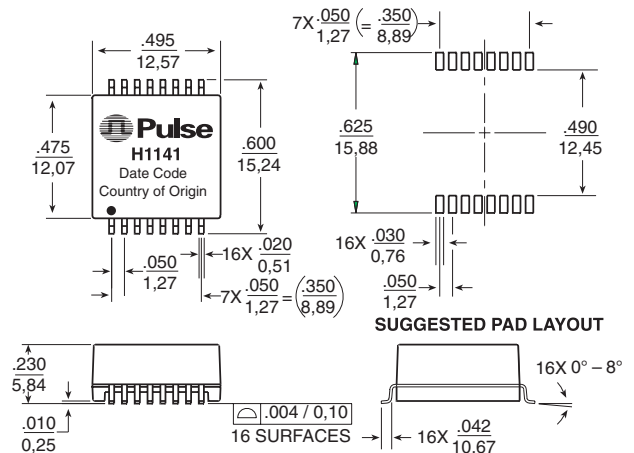


Weight 4.8 grams
Tape & Reel250/reel
Tube 15/tube

Dimensions: $\frac{\text{Inches}}{\text{mm}}$

Unless otherwise specified, all tolerances are $\pm \frac{.010}{0,25}$

H1141



Weight1 gram
Tape & Reel350/reel
Tube35/tube

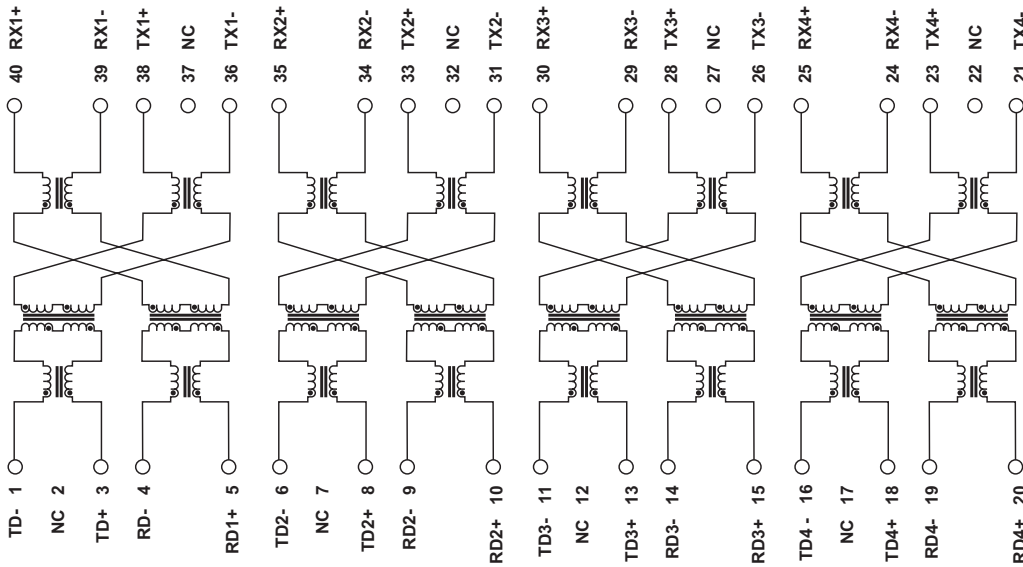
10/100BASE-TX TRANSFORMER MODULES

For Auto MDI/MDIX Applications

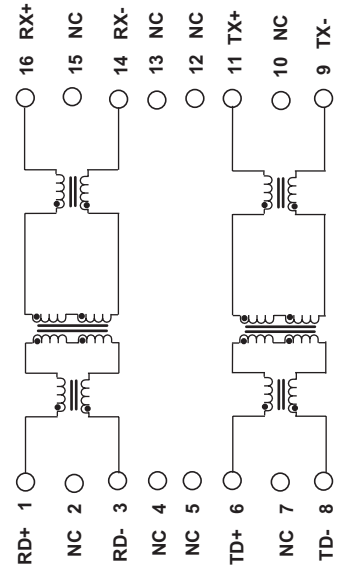


Schematics

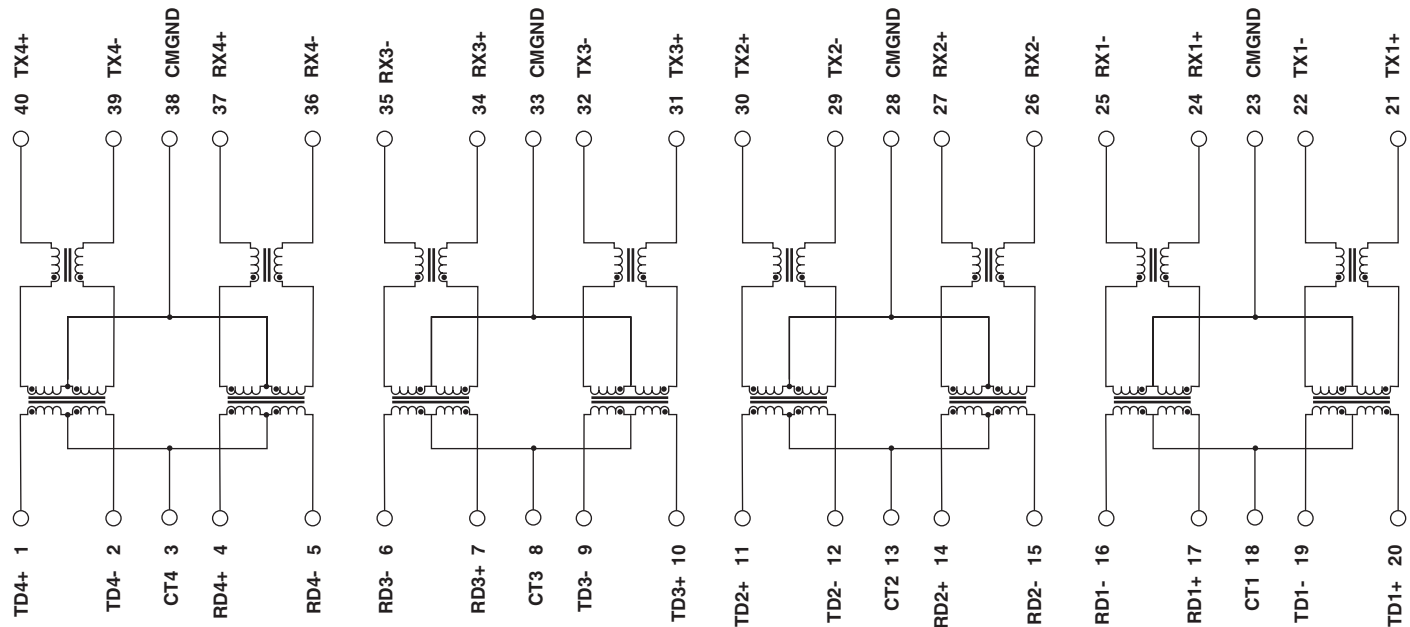
H1140, HX1240



H1141



H1164, HX1234



For More Information:

**Pulse Worldwide
Headquarters**

12220 World Trade Drive
San Diego, CA 92128
U.S.A.
www.pulseeng.com
TEL: 858 674 8100
FAX: 858 674 8262

**Pulse
Northern Europe**

3 Huxley Road
Surrey Research Park
Guildford, Surrey GU2 5RE
United Kingdom
TEL: 44 1483 401700
FAX: 44 1483 401701

**Pulse
Southern Europe**

Zone Industrielle
F-39270
Orgelet
France
TEL: 33 3 84 35 04 04
FAX: 33 3 84 25 46 41

**Pulse
China Headquarters**

No. 1
Industrial District
Changan, Dongguan
China
TEL: 86 769 5538070
FAX: 86 769 5538870

Pulse North China

Room 1002
No. 819
Nanjing West Rd
Shanghai
China
TEL: 86 21 32181071
FAX: 86 21 32181396

Pulse South Asia

150 Kampong Ampat
#07-01/02
KA Centre
Singapore 368324
TEL: 65 6287 8998
FAX: 65 6280 0080

Pulse North Asia

3F-4, No. 81, Sec. 1
Hsin Tai Wu Road
Hsi-Chih
Taipei Hsien
Taiwan
TEL: 886 2 26980228
FAX: 886 2 26980948

Performance warranty of products offered on this data sheet is limited to the parameters specified. Data is subject to change without notice. Other brand and product names mentioned herein may be trademarks or registered trademarks of their respective owners.

© Copyright, 2005. Pulse Engineering, Inc. All rights reserved.

www.pulseeng.com