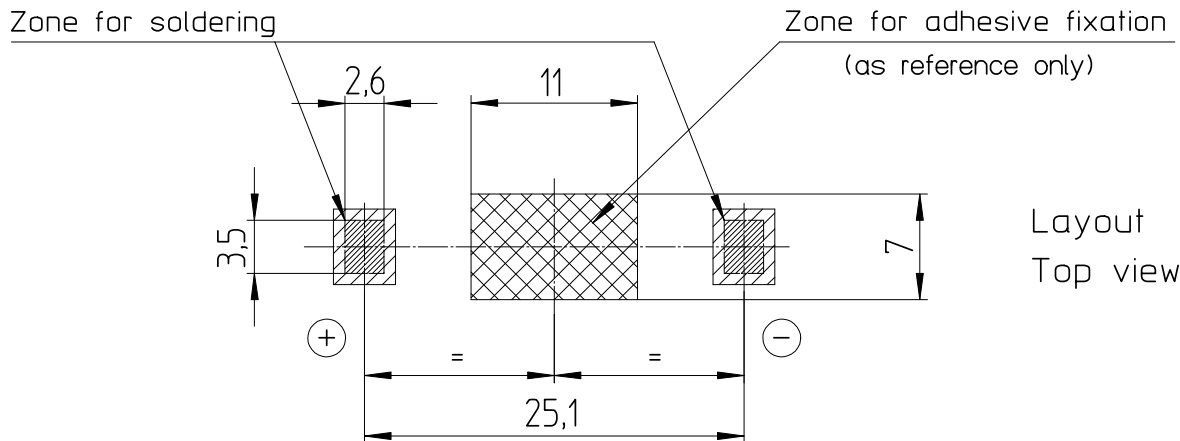
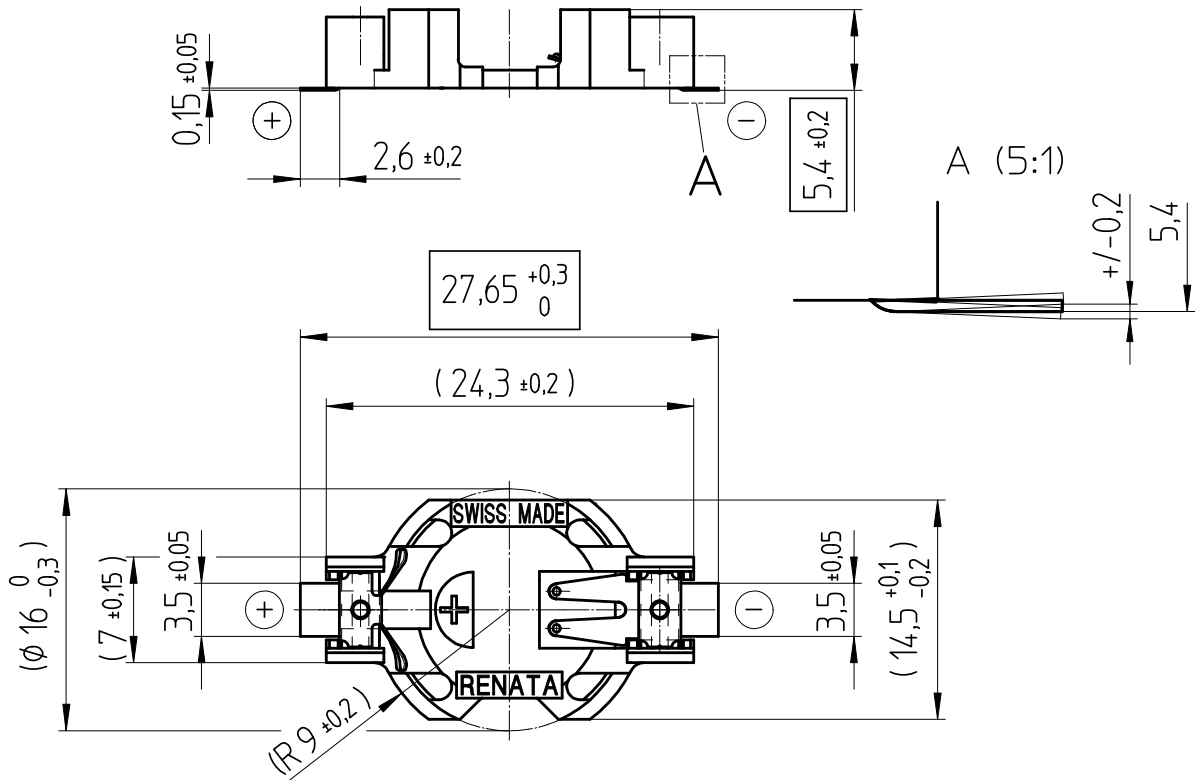


Art.-Number: 701130



- Samples can deviate in the execution from the serie.

- Dimensions and tolerances can be specified only after the testing of the devices for the mass production definitely

Holder material : heat resistant, glass-fiber reinforced LCP

Battery contacts : spring stainless steel 301 nickel plated, thickness 10µm

Solder contacts : spring stainless steel 301 solder plated throughout 100% Sn, thickness 10µm

All framed values will be used for dimension checking !

Rev. ○	Rev. ○	Rev. ○			Customer's Approval		
Rev. ○	Rev. ○	Rev. ○			Date		
Rev. ○	Rev. ○	Rev. ○			Signature		
Titel:				Scale 2:1	Drawn	06.04.05	SRi
SMTU1632-LF					Checked	06.04.05	MHo
					Approved		
				CH-4452 Itingen Switzerland		3.8811.4-	