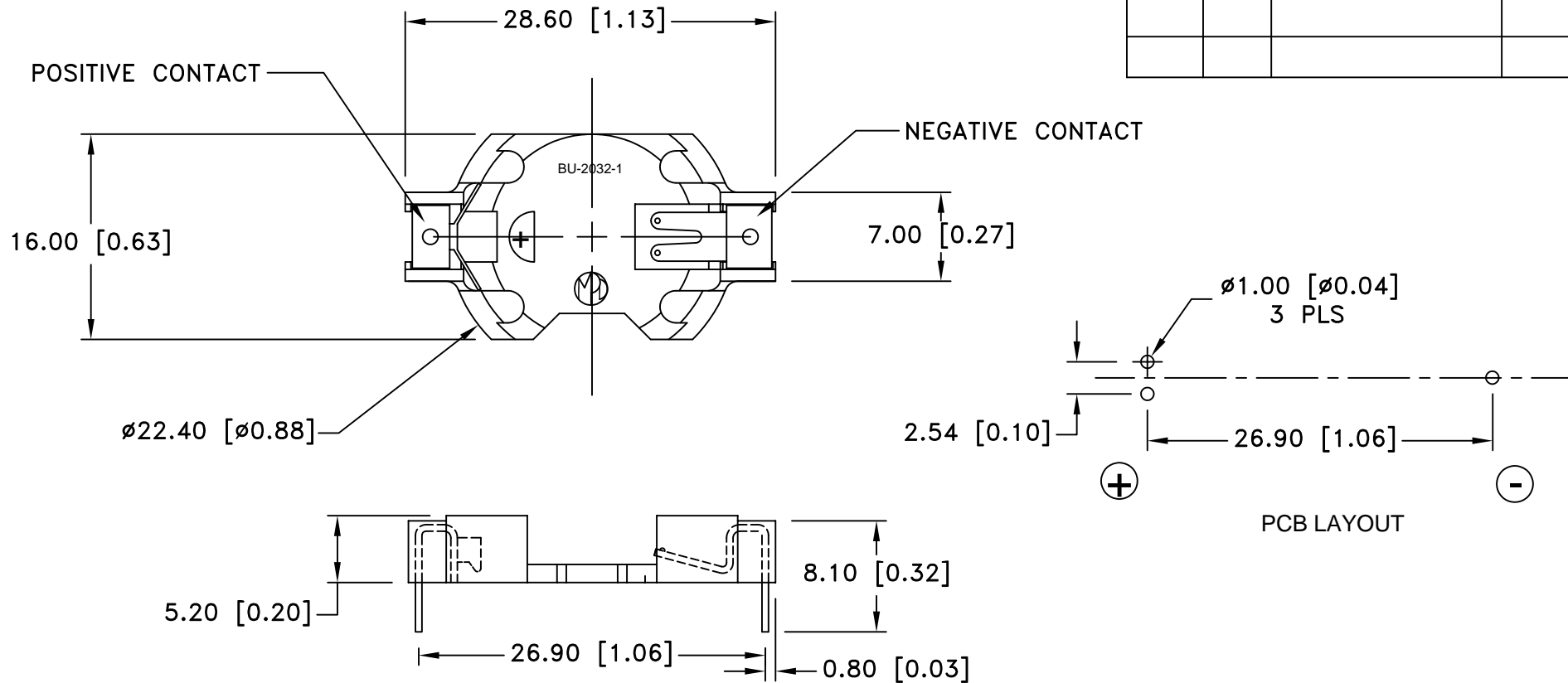



Date	SYM	REVISION RECORD	AUTH	DR.	CK.
7/08/06	A	Added "ROHS COMPLIANT"	T B	B S	
8/11/07	B	UPDATED SPECIFICATIONS	T B	B S	
6/06/08	C	Temperature range was -40°C to +315°C	T.B.	B.S.	



SPECIFICATIONS:

- * Holder material- White, 30% glass reinforced Liquid Crystal Polymer resin, UL File No. E123598, UL94V-0
- * Contacts : Stainless Steel 301, spring temper, Gold Flash overall
- * Temperature range: -40°C to +280°C
- * Vibration Test: 10-50-10 Hz swept in 60 seconds
X,Y,Z direction: 1 hour each direction
- * Result: No dislodgement of the cell or damage
No discontinuity over 10 micro-seconds
- * Shock Test: Half sine wave acceleration 150G. 6 micro-seconds
3 shock pulses each direction per axis, total of 18 pulses
- * Result: No evidence of physical damage

ROHS COMPLIANT

Tolerance (Except as noted)	 Memory Protection Devices, Inc 200 Broad Hollow Road, Farmingdale, New York 11735	Scale	Drawn By B.S.
			Approved By T.B.
decimal $\pm .5$ (.020)	Title BU2032-1 CR2032 BATTERY HOLDER, THRU HOLE		
Fractional $\pm .8$ (.030)		Date 6/06/08	Drawing Number BU2032-1-G
Angular $\pm 3^\circ$			