

SPECIFICATION

MATERIAL

Insulator: Thermal Plastic UL94V-0, Black

Contacts: Copper Alloy

Shell: Stainless Steel

CONTACT PLATING

Underplate: 50u"~100u" Nickel

Contact Area: A-SD-09-C-A-1-3 :15u" Selective Gold

A-SD-09-D-A-1-3 :30u" Selective Gold

Solder Tails Area: 100u"~160u" Tin(Lead Free)

ELECTRICAL

Operation Voltage: 3.3 V

Current Rating: 0.5 A

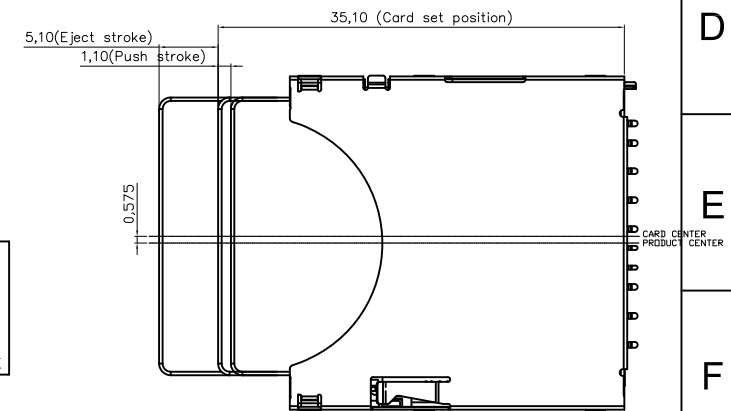
Contact Resistance: 100 mohms Max.

Insulation Resistance: 1000 Mohms Min. @ 500 VDC

Dielectric Withstanding Voltage: 500 VAC / Minute

Temperature Range: -25°C To +90°C

Mating Cycles: 10,000 cycles, spring is not breaking.



RoHS compliant

Scale	1:1					Date	Name	Customer-No.
TOLERANCE						Drawn	18.04.2007	Hellwig
X.	±0.50					Approved	15.07.2010	Hellwig
X.X	±0.30							ASSMANN WSW-No. A-SD-09-x-A-1-3
X.XX	±0.20	③	Update		15.07.2010	Rale		
DIM	TOL	②	Update		04.08.2009	Rale		Drawing-No.
Angle	±5°	①	Drawn		18.04.2007	Hellwig		ASS 2205 CO
Angle	TOL	Id.	Modification		Date	Name		rev03



Replace SHEET 1 / 2

1

2

3

4

5

6

7

A

A

B

B

C

C

D

D

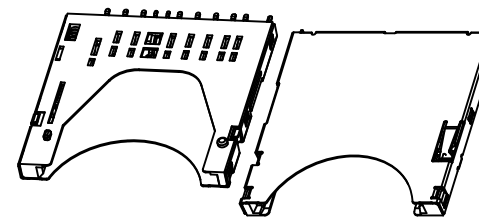
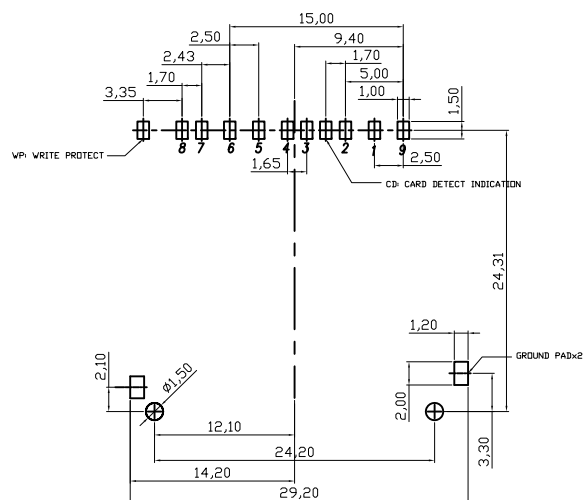
E

E

F

F

RoHS compliant



RECOMMENDED P.C.B. LAYOUT
TOLERANCE $\pm 0.05\text{mm}$

Scale	1:1						Date	Name	Customer-No.
TOLERANCE						Drawn	18.04.2007	Hellwig	ASSMANN WSW-No. A-SD-09-x-A-1-3
X.	± 0.50					Approved	15.07.2010	Hellwig	
X.X	± 0.30								Drawing-No.
X.XX	± 0.20	③	Update	15.07.2009	Rale				ASS 2205 CO
DIM	TOL	②	Update	04.08.2009	Rale				
Angle	$\pm 5^\circ$	①	Drawn	18.04.2007	Hellwig				SHEET 2 / 2
Angle	TOL	Id.	Modification	Date	Name			Replace	

ASSMANN
components

1

2

3

4

5

6

7

SV205