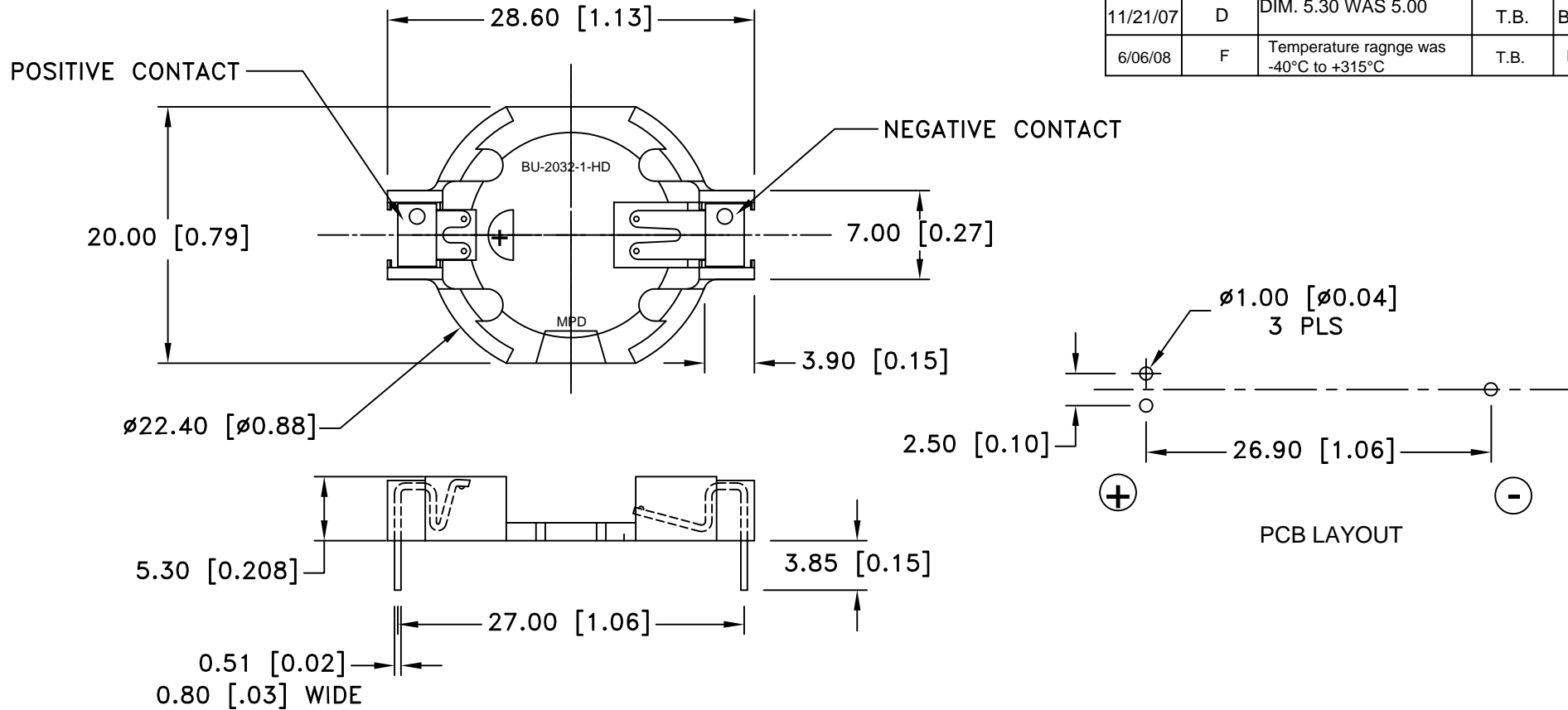



| Date | SYM | REVISION RECORD | AUTH | DR. | CK. |
|----------|-----|--|------|------|-----|
| 04/16/05 | A | MATERIAL COLOR BLACK WAS WHITE | T.B. | B.S. | |
| 10/22/05 | B | ADDED "ROHS COMPLIANT" | T.B. | B.S. | |
| 8/11/07 | C | UPDATED SPECIFICATIONS | T.B. | B.S. | |
| 11/21/07 | D | DIM. 5.30 WAS 5.00 | T.B. | B.S. | |
| 6/06/08 | F | Temperature range was -40°C to +315°C | T.B. | B.S. | |



SPECIFICATIONS:

- * Holder material- Black, 30% glass reinforced Liquid Crystal Polymer resin, UL File No. E123598, UL94V-0
- * Contacts : 0.020" thick PHOS-BRONZE, GOLD FLASH
- * Temperature range: -40°C to +280°C
- * Vibration Test: 10-50-10 Hz swept in 60 seconds
X,Y,Z direction: 1 hour each direction
- * Result: No dislodgement of the cell or damage
No discontinuity over 10 micro-seconds
- * Shock Test: Half sine wave acceleration 150G. 6 micro-seconds
3 shock pulses each direction per axis, total of 18 pulses
- * Result: No evidence of physical damage
- * ROHS COMPLIANT

| | | | |
|--------------------------------|---|---------------------------------|------------------|
| Tolerance (Except as noted) |  Memory Protection Devices, Inc 200 Broad Hollow Road, Farmingdale, New York 11735 | Scale | Drawn By B.S. |
| | | | Approved By T.B. |
| decimal $\pm .5$ (.020) | Title HIGH GRIP BATTERY HOLDER FOR CR2032 WITH PC PINS | Date 6/06/08 | |
| Fractional $\pm .8$ (.030) | | Drawing Number BU2032-1-HD-G | |
| Angular $\pm 3^\circ$ | Date 6/06/08 | | |
| | Drawing Number BU2032-1-HD-G | | |