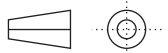


Projection:



Page

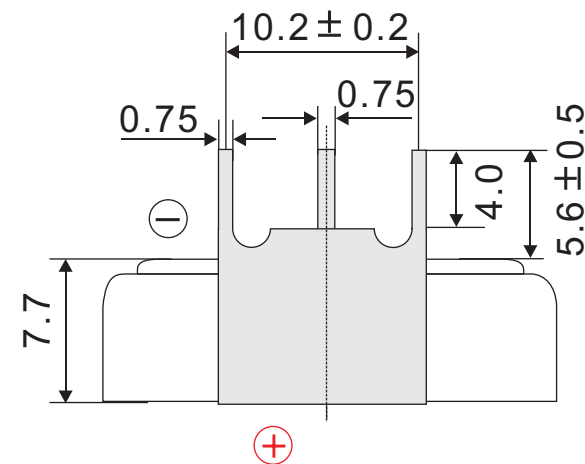
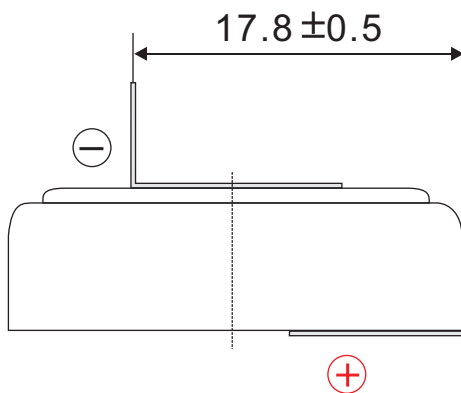
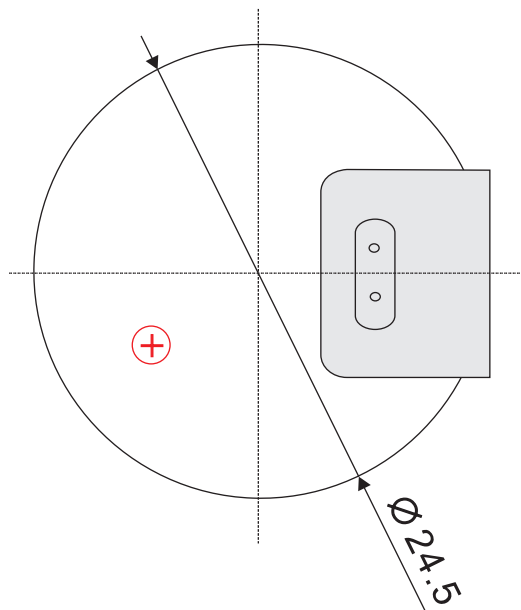
1 of 1

Scale

2.5:1

Unit:

mm



NO.

Parts

Description

Effective date:

05/11/20

1

Button Cell

Yellow PVC, with Date code.

Version NO:

E3-2005

2

Cathode tab

Stainless steel plated with nickel. 0.15mm thick

Draw By:

jenney

3

Anode tab

Stainless steel plated with nickel. 0.15mm thick

Verify 1:

Kenny

Title

CR2477T-VAY3

Verify 2:

Jasmine

File NO.

A00373

Approve:

Lily