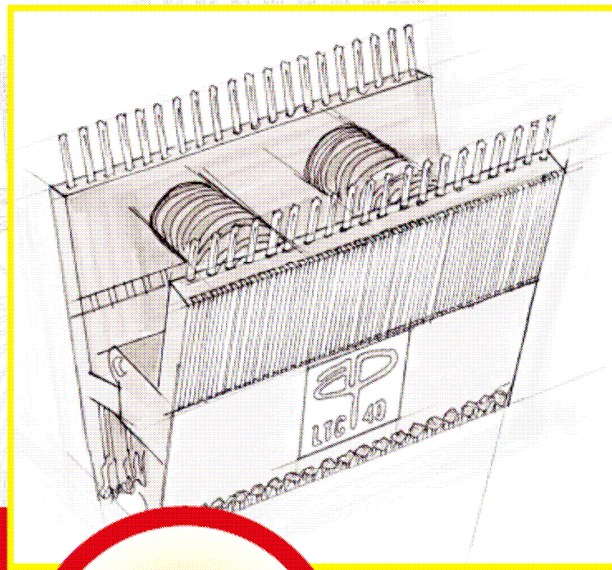


# The A P Products Test-Clip Special



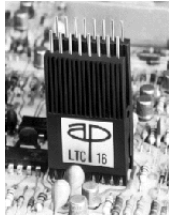
TEST CLIP

40 JAHRE





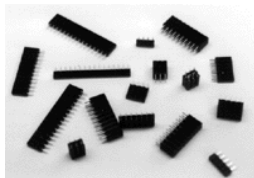
## LINECARD



### IC Test Clips

A P Products Test Clips the industry standard for faster, easier DIP IC testing, quality control inspection and field service. The Test Clips provide easy attachment, „hands-free“ testing and positive clamping. Reliable contacts and rugged construction allow a safe way for testing.

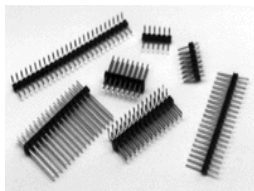
- ▶ Over 150 models to fit every size DIP up to 64 pins
- ▶ Nailhead and connector compatible „headless“ available



### Female Header

The wide standard assortment of female headers include single, double and triple row female headers with up to 36 pins per row which can easily be cut down to any desired length.

- ▶ A variety of gold and tin platings available
- ▶ Mate with industry standard connectors or headers with contacts spaced on 2,54mm



### Male Header

A P Products offers a wide range of either custom made or standard male headers. The wide assortment of standard male headers include single, double and triple row, straight and right angle, gold and solder plating and in various pinlength up to 36 pins per row.

- ▶ 2,36mm / 5,97mm / 8,07mm interface area
- ▶ Mate with industry standard connectors or headers with contacts spaced on 2,54mm



### Molded-On Cable

Molded-On cable assemblies are suited for board to board interconnects. As a result of the „Molded-On“ technology cable and contacts are one piece and therefore inseparable. There are no individual components to become apart.

- ▶ Different cable and connector styles available
- ▶ Custom configurations welcome
- ▶ 100% factory tested

**A P Products GmbH**  
Postfach 1158  
D-71089 Weil im Schönbuch  
Deutschland  
Tel.: +49-7157-5348-0  
Fax: +49-7157-5348-39  
Web: [www.ap-products.de](http://www.ap-products.de)  
E-mail: [info@ap-products.de](mailto:info@ap-products.de)

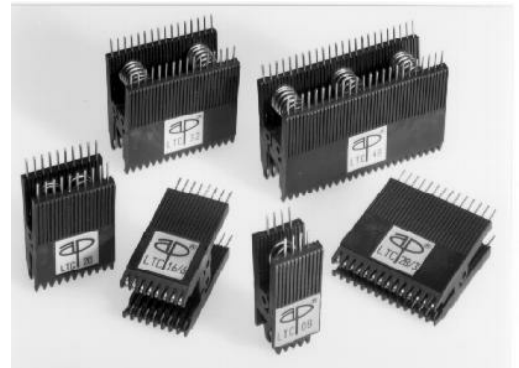
**A P Products Ltd.**  
80 Cromwell Road  
Saffron Walden, CB11 4BE  
Great Britain  
Tel.: +44-1799-526602  
Fax: +44-1799-521408  
Web: [www.ap-products.co.uk](http://www.ap-products.co.uk)  
E-mail: [info@ap-products.co.uk](mailto:info@ap-products.co.uk)

**A P Products S.r.l.**  
Viale Abruzzi, 87  
I-20131 Milano  
Italia  
Tel.: +39-02-29404697  
Fax: +39-02-29523280  
Web: [www.ap-products.com](http://www.ap-products.com)  
E-mail: [info-i@ap-products.com](mailto:info-i@ap-products.com)

## The IC Test-Clip for fast, safe access to DIP Leads

Since 1967 in the market, our Test-Clip has remained the industry standard for faster easier DIP IC Testing, quality control inspection, and field service. A P Products Test-Clips have become an indispensable tool to the electronic industry.

We're introducing today the industry largest selection of Test-Clips. With 144 models to fit every size DIP up to 64-pins and both nailed and connector-compatible "headless" leads available in every size, A P Products has just the right Test-Clip to meet your DIP testing requirements.



- **Easy attachment**

Narrow nose shape for working on high density PC-boards. Fits onto IC's with only 2,5 mm between leads and adjacent components.

- **Positive clamping**

The heavy duty industrial grade metal springs provide a firm positive grip to the DIP under test. The weight of the probes and test leads can't disturb connections, eliminating intermittents and false readings.

- **Reliable contacts**

Proven contact wiping action for optimum reliability. New are "Paint Cut" contacts for ICs with antistatic protection coating, as often used in military applications. These contacts will cut through the protective coating. Stripping the coat prior to testing is no longer necessary. The test marks can easily be touched up after testing.

- **Save way to test**

The contact comb fits between DIP leads to eliminate any possibility of shorting out chips.







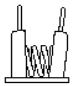
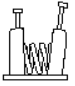
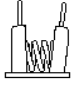
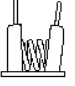
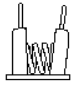
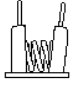
- **Rugged construction**

Body material is tough, engineering grade glass filled PBT. The contacts are made from hardened Nickel Silver. Hinge design with steel pivot pin for smooth, long lasting use.

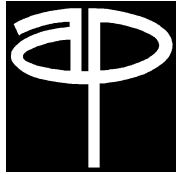
### Specifications:

Plastic:	PBT, glass filled (30%), UL 94 VO
Contacts:	CuNi18Zn20, unplated or gold plated
Temp. Range:	-55 °C to +165 °C
Rel. Humidity:	<80%
Max. Current:	2 A
Max. Voltage:	250 V
Test Voltage:	Contact - Contact = 1000 V Contact - Ground = 1500 V

# A P Products™ Test Clip Product Matrix

Lead Count / Plating		DIL / DIP Testclips										Shrink DIP Testclips			Surface Mount Test Clips				
		 Duck Bill Contacts				 Knife Edge Contacts				 Paint Cut Contacts		 Square Contacts			 Square Contacts				
		Standard Model (with Nail Heads) Part Numbers		Connector Compatible (with Headless Heads) Part Numbers		Standard Model (with Nail Heads) Part Numbers		Connector Compatible (with Headless Heads) Part Numbers		Connector Compatible (with Headless Heads) Part Numbers		Connector Compatible (with Headless Heads) Part Numbers			Connector Compatible (with Headless Heads) Part Numbers				
																			
DIP .300" wide (7.62 mm)		DIP .600" wide (15.24 mm)		DIP .300" wide (7.62 mm)		DIP .600" wide (15.24 mm)		DIP .300" wide (7.62mm)		DIP .600" wide (15.24 mm)		Shrink-DIP .400" wide (10,16 mm)	Shrink-DIP .600" wide (15,24 mm)	Shrink-DIP .750" wide (19,05 mm)	SOIC .150" wide (3,81 mm)	SOIC .300" wide (7,62 mm)	SOJ .300" wide (7,62 mm)	LCC	PLCC
8	Alloy Gold	900695		900690-08		900741-08		900737-08		900790-08					923650-08	923660-08			
	Alloy Gold	900743-08		900739-08		900741-08-AU		900737-08-AU							923655-08	923665-08			
14	Alloy Gold	900698		900690-14		900741-14		900737-14		900790-14					923650-14	923660-14			
	Alloy Gold	900743-14		900739-14		900741-14-AU		900737-14-AU							923655-14	923665-14			
16	Alloy Gold	900700	900702	900690-16	900689-16	900741-16	900740-16	900741-16	900736-16	900790-16	900789-16				923650-16	923660-16			
	Alloy Gold	900743-16	900742-16	900739-16	900738-16	900741-16-AU	900740-16-AU	900741-16-AU	900736-08-AU						923655-16	923665-16			
18	Alloy Gold	900703		900690-18		900741-18		900737-18		900790-18					923650-18	923660-18			
	Alloy Gold	900743-18		900739-18		900741-18-AU		900737-18-AU							923655-18	923665-18			
20	Alloy Gold	900704		900690-20		900741-20		900737-20		900790-20					923650-20	923660-20	923660-20	923680-20	923670-20
	Alloy Gold	900743-20		900739-20		900741-20-AU		900737-20-AU							923655-20	923665-20	923665-20	923685-20	923675-20
22	Alloy Gold	900706	900705	900689-22	900690-22	900740-22	900741-22	900736-22	900737-22	900789-22	900790-22								
	Alloy Gold	900742-22	900743-22	900738-22	900739-22	900740-22-AU	900741-22-AU	900736-22-AU	900737-22-AU										
24	Alloy Gold	900715	900714	900689-24	900690-24	900740-24	900741-24	900736-24	900737-24	900789-24	900790-24				923650-24	923660-24	923660-24	923680-24	923670-24
	Alloy Gold	900742-24	900743-24	900738-24	900739-24	900740-24-AU	900741-24-AU	900736-24-AU	900737-24-AU						923655-24	923665-24	923665-24	923685-24	923675-24
28	Alloy Gold	900717	900718	900689-28	900690-28	900740-28	900741-28	900736-28	900737-28	900789-28	900790-28	900746-28	900747-28		923650-28	923660-28	923660-28	923680-28	923670-28
	Alloy Gold	900742-28	900743-28	900738-28	900739-28	900740-28-AU	900741-28-AU	900736-28-AU	900737-28-AU						923655-28	923665-28	923665-28	923685-28	923675-28
32	Alloy Gold		900719	900690-32		900741-32		900737-32			900790-32								
	Alloy Gold		900743-32	900739-32		900741-32-AU		900737-32-AU											
36	Alloy Gold		900720	900690-36		900741-36		900737-36			900790-36								
	Alloy Gold		900743-36	900739-36		900741-36-AU		900737-36-AU											
40	Alloy Gold		900722	900690-40		900741-40		900737-40			900790-40								
	Alloy Gold		900743-40	900739-40		900741-40-AU		900737-40-AU											
42	Alloy Gold												900747-42						
44	Alloy Gold																	923680-44	923670-44
	Alloy Gold																	923685-44	923675-44
48	Alloy Gold		900724		900690-48		900741-48		900737-48		900790-48								
	Alloy Gold		900743-48		900739-48		900741-48-AU		900737-48-AU										
52	Alloy Gold												900747-52					923680-52	923670-52
	Alloy Gold																		
64	Alloy Gold		900726*		900690-64*		900741-64*		900737-64*		900790-64*		900747-64	900748-64					
	Alloy Gold		900743-64*		900739-64*		900741-64-AU*		900737-64-AU*										
68	Alloy Gold																	923680-68	923670-68
	Alloy Gold																	923685-68	923675-68
84	Alloy Gold																	923680-84	923670-84
	Alloy Gold																	923685-84	923675-84

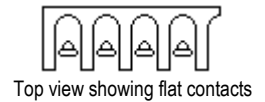
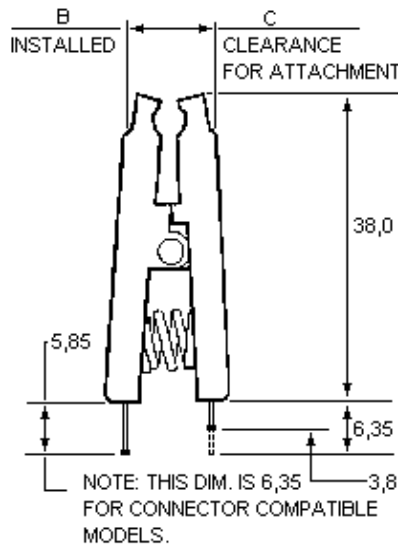
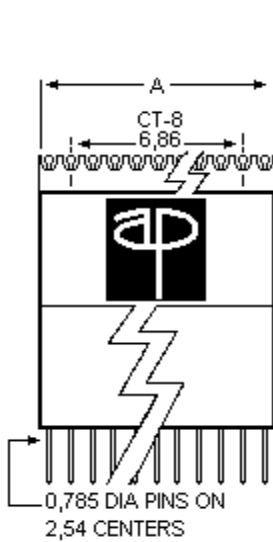
\* 64 position DIL Test Clip and IC are .900" (22,86 mm) wide





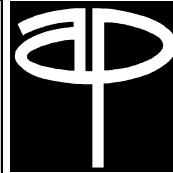
# DIP TEST-CLIP

## The Standard Test-Clip

Flat contacts for maximum interface surface area.

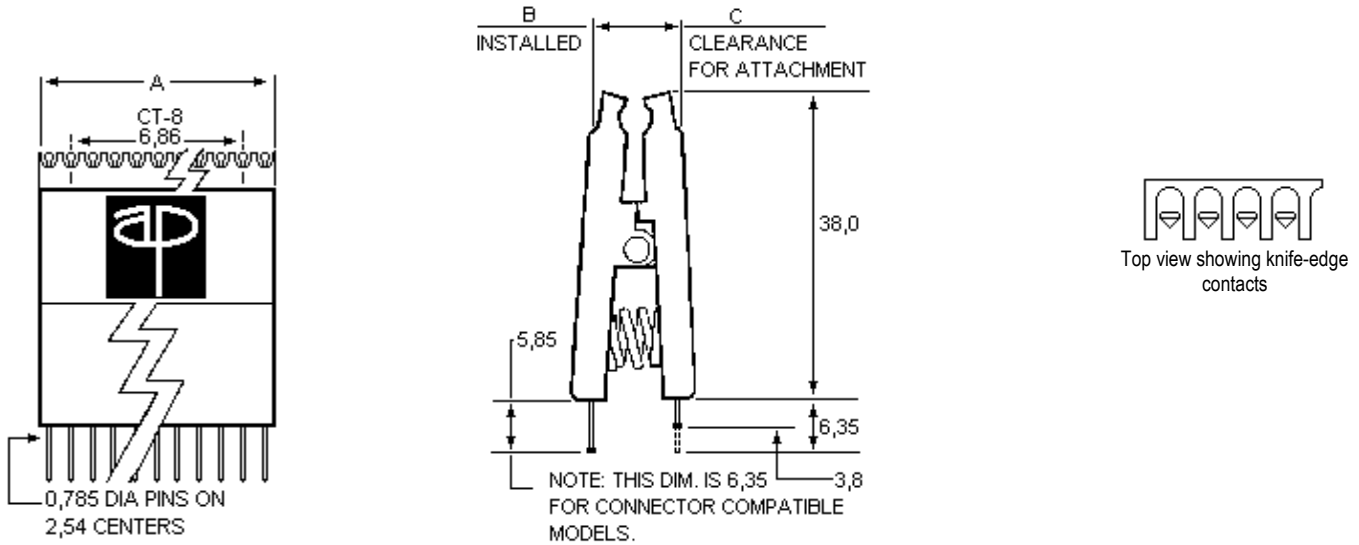


Number of pins	Dimensions row to row mm / inch	Dimensions (mm)			 Part number		 Part number	
		A	B	C	Nickel-Silver	Gold	Nickel-Silver	Gold
08	7,62 / 0,3	16,06	12,20	12,95	900695	900743-08	900690-08	900739-08
14	7,62 / 0,3	18,60	12,20	12,95	900698	900743-14	900690-14	900739-14
16	7,62 / 0,3	21,13	12,20	12,95	900700	900743-16	900690-16	900739-16
16	15,24 / 0,6	21,13	19,30	20,57	900702	900742-16	900689-16	900738-16
18	7,62 / 0,3	23,67	12,20	12,95	900703	900743-18	900690-18	900739-18
20	7,62 / 0,3	26,21	12,20	12,95	900704	900743-20	900690-20	900739-20
22	7,62 / 0,3	28,75	12,20	12,95	900706	900742-22	900689-22	900738-22
22	15,24 / 0,6	28,75	19,30	20,57	900705	900743-22	900690-22	900739-22
24	7,62 / 0,3	31,29	12,20	12,95	900715	900742-24	900689-24	900738-24
24	15,24 / 0,6	31,29	19,30	20,57	900714	900743-24	900690-24	900739-24
28	7,62 / 0,3	36,37	12,20	12,95	900717	900742-28	900689-28	900738-28
28	15,24 / 0,6	36,37	19,30	20,57	900718	900743-28	900690-28	900739-29
32	15,24 / 0,6	41,45	19,30	20,57	900719	900743-32	900690-32	900739-32
36	15,24 / 0,6	46,53	19,30	20,57	900720	900743-36	900690-36	900739-36
40	15,24 / 0,6	51,61	19,30	20,57	900722	900743-40	900690-40	900739-40
48	15,24 / 0,6	61,77	19,30	20,57	900724	900743-48	900690-48	900739-48
64	22,86 / 0,9	82,10	26,67	27,43	900726	900743-64	900690-64	900739-64



## The Knife-Edge Test-Clip

Specially formed contacts to cut through dirt build-up on IC pins.



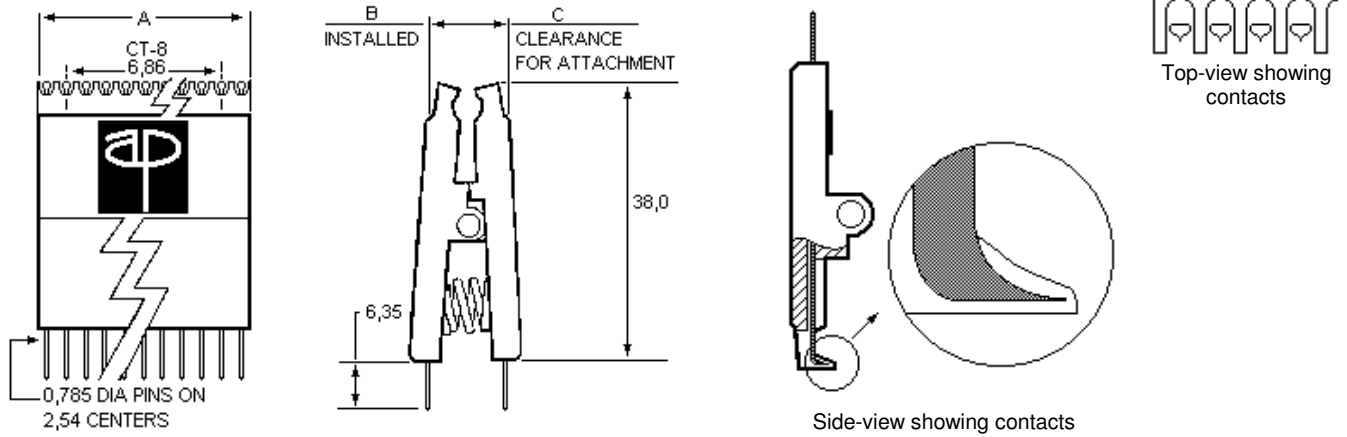
Number of pins	Dimensions row to row mm / inch	Dimensions (mm)			Part number	
		A	B	C	Nickel-Silver	Nickel-Silver Gold
08	7,62 / 0,3	16,06	12,20	12,95	900741-08	900737-08 900737-08-AU
14	7,62 / 0,3	18,60	12,20	12,95	900741-14	900737-14 900737-14-AU
16	7,62 / 0,3	21,13	12,20	12,95	900741-16	900737-16 900737-16-AU
16	15,24 / 0,6	21,13	19,30	20,57	900740-16	900736-16 900736-16-AU
18	7,62 / 0,3	23,67	12,20	12,95	900741-18	900737-18 900737-18-AU
20	7,62 / 0,3	26,21	12,20	12,95	900741-20	900737-20 900737-20-AU
22	7,62 / 0,3	28,75	12,20	12,95	900740-22	900736-22 900736-22-AU
22	15,24 / 0,6	28,75	19,30	20,57	900741-22	900737-22 900737-22-AU
24	7,62 / 0,3	31,29	12,20	12,95	900740-24	900736-24 900736-24-AU
24	15,24 / 0,6	31,29	19,30	20,57	900741-24	900737-24 900737-24-AU
28	7,62 / 0,3	36,37	12,20	12,95	900740-28	900736-28 900736-28-AU
28	15,24 / 0,6	36,37	19,30	20,57	900741-28	900737-28 900737-28-AU
32	15,24 / 0,6	41,45	19,30	20,57	900741-32	900737-32 900737-32-AU
36	15,24 / 0,6	46,53	19,30	20,57	900741-36	900737-36 900737-36-AU
40	15,24 / 0,6	51,61	19,30	20,57	900741-40	900737-40 900737-40-AU
48	15,24 / 0,6	61,77	19,30	20,57	900741-48	900737-48 900737-48-AU
64	22,86 / 0,9	82,10	26,67	27,43	900741-64	900737-64 900737-64-AU



# TEST-CLIP

## The Paint-Cut Test-Clip

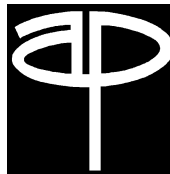
Specially formed and hardened contacts designed to cut through antistatic paint on PC-Boards.



Paint Cut contacts are for ICs with antistatic protection coating, as often used in military applications. These contacts will cut through the protective coating. Stripping the coat prior to testing is no longer necessary. The test marks can easily be touched up after testing

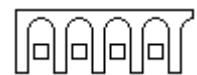
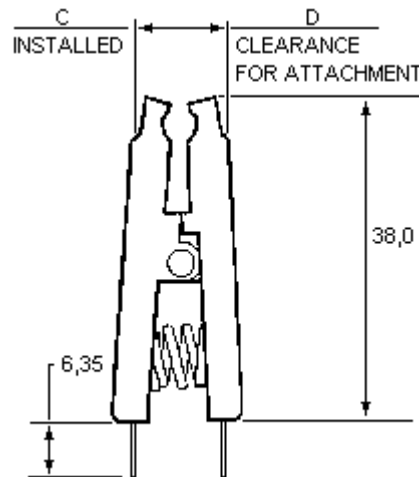
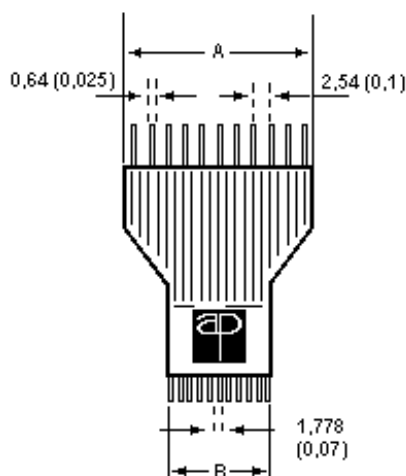
Number of pins	Dimensions row to row	Dimensions (mm)			Part number
		A	B	C	
24	7,62 / 0,3	31,29	12,20	12,95	900789-24
28	7,62 / 0,3	36,37	12,20	12,95	900789-28
08	7,62 / 0,3	16,06	12,20	12,95	900790-08
14	7,62 / 0,3	18,60	12,20	12,95	900790-14
16	7,62 / 0,3	21,13	12,20	12,95	900790-16
18	7,62 / 0,3	23,67	12,20	12,95	900790-18
20	7,62 / 0,3	26,21	12,20	12,95	900790-20I
24	15,24 / 0,6	31,29	19,30	20,57	900790-24
28	15,24 / 0,6	36,37	19,30	20,57	900790-28
40	15,24 / 0,6	51,61	19,30	20,57	900790-40
48	15,24 / 0,6	61,77	19,30	20,57	900790-48
64	22,86 / 0,9	82,10	26,67	27,43	900790-64





## The Shrink-DIP Test-Clip

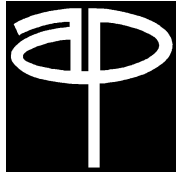
1,778 mm on the interface side and 2,54 mm on the connector side make the Test-Clip compatible to standard connectors.



View showing contacts  
in IC mating area

Number of pins	Dimensions row to row mm / inch	Dimensions (mm)				Part number Nickel-Silver
		A	B	C	D	
28	10,16 / 0,4"	36,67	25,27	16,25	17,00	900746-28
28	15,24 / 0,6"	36,67	25,27	19,30	20,57	900747-28
42	15,24 / 0,6"	54,15	37,72	19,30	20,57	900747-42
52	15,24 / 0,6"	66,85	46,61	19,30	20,57	900747-52
64	15,24 / 0,6"	82,10	57,28	19,30	20,57	900747-64
64	19,05 / 0,75"	82,10	57,28	24,13	25,40	900748-64

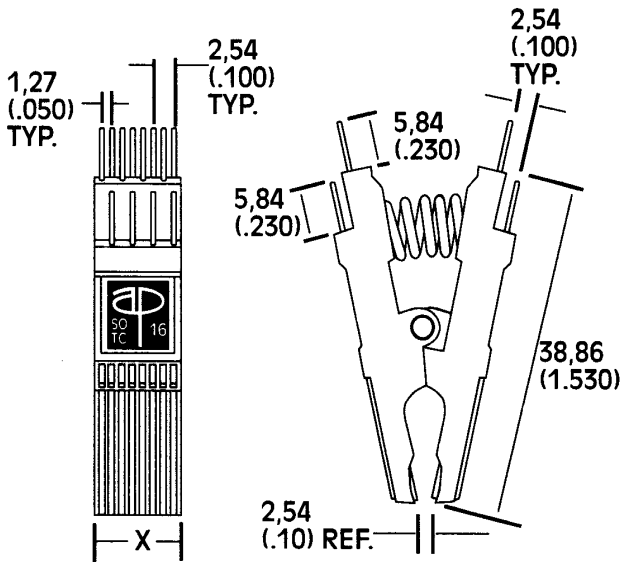




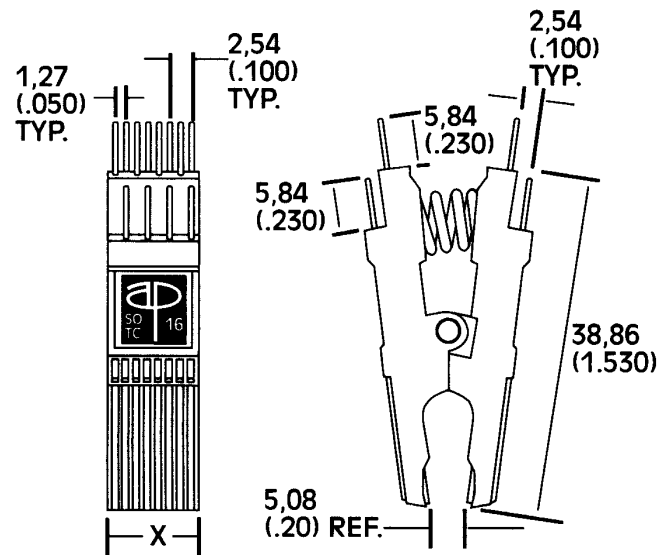
# TEST-CLIP

## The Small-Outline Test-Clip

For .150" and .300" small outline ICs. The connector end is staggered to accommodate standard pitch connectors.



"Narrow" Version  
(0,150" wide IC's)



"Wide" Version  
(0,300" wide IC's)

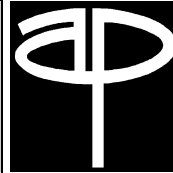
		"X" Dimension	SOIC	SOIC	SOJ
			.150" wide (3,81 mm)	.300" wide (7,62 mm)	.300" wide (7,62 mm)
8	Alloy	5,59 mm (0,220")	923650-08	923660-08	
	Gold		923655-08	923665-08	
14	Alloy	9,40 mm (0,370")	923650-14	923660-14	
	Gold		923655-14	923665-14	
16	Alloy	10,67 mm (0,420")	923650-16	923660-16	
	Gold		923655-16	923665-16	
18	Alloy	11,97 mm (0,470")	923650-18	923660-18	
	Gold		923655-18	923665-18	
20	Alloy	13,21 mm (0,520")	923650-20	923660-20	923660-20
	Gold		923655-20	923665-20	923665-20
24	Alloy	15,75 mm (0,620")	923650-24	923660-24	923660-24
	Gold		923655-24	923665-24	923665-24
28	Alloy	18,29 mm (0,720")	923650-28	923660-28	923660-28
	Gold		923655-28	923665-28	923665-28

The SOTC is specially designed for "Small Outline IC's" (IC's with a small circumference). Although the distance between pins at the end of the IC is only 1,27 mm (0,050"), a distance of 2,54 mm between pins is reached at the tap end.

This pitch enables an easy attachment of the test point and ensures that unnecessary short circuits are avoided.

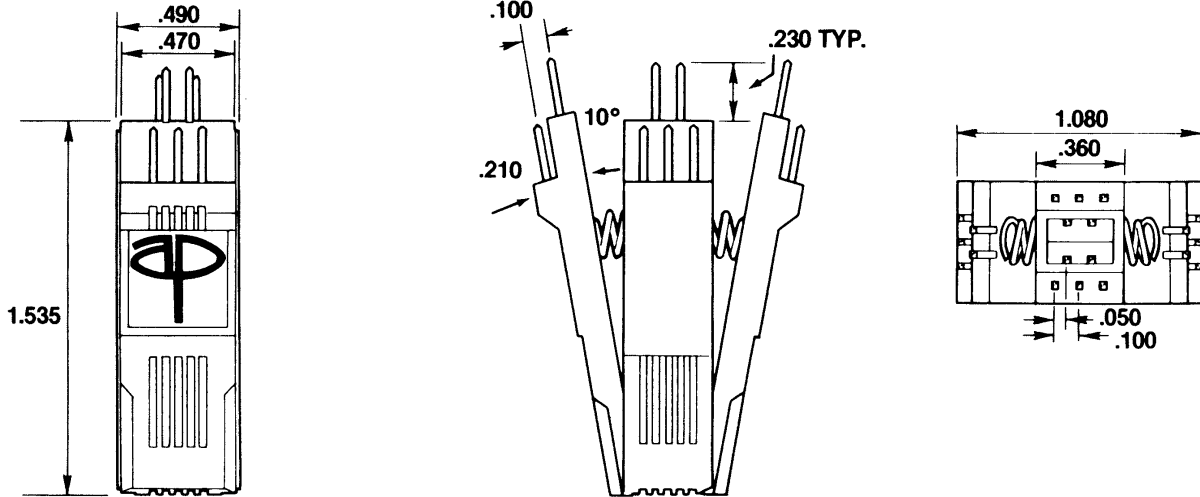
The standard 0,64 mm square pins enable an easy attaching of the respective pins connectors or "wire wrapping".

Like all of our Test-Clips, the SOTC has an extra strong pressure spring, which ensures a safe contact. Furthermore, it has an insulator in order to avoid any short circuits. With this small Test-Clip even SOIC's having a distance of only 0,64 mm can be tested.



## The PLCC Test-Clip

All four sides open simultaneously for easy attachment on PLCC or LCC chips.



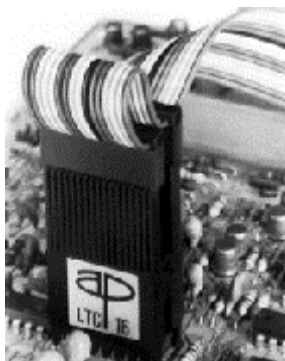
		LCC	PLCC
20	Alloy	923680-20	923670-20
	Gold	923685-20	923675-20
28	Alloy	923680-28	923670-28
	Gold	923685-28	923675-28
44	Alloy	923680-44	923670-44
	Gold	923685-44	923675-44
52	Alloy	923680-52	923670-52
	Gold	923685-52	923675-52
68	Alloy	923680-68	923670-68
	Gold	923685-68	923675-68
84	Alloy	923680-84	923670-84
	Gold	923685-84	923675-84

This Test-Clip is for testing Plastic Leaded Chip Carrier (PLCC) style integrated circuits. The unique action wedge design with all four sides opening simultaneously provides a faster and easier attachment to the PLCC.

The helical compression spring and insulating contact combs insure integrity in contact when testing. Our narrow body design allows components to be tested with as little as 2,54 mm (0,1") lead-to-lead spacing, side stackable at 0,200" lead-to-lead spacing.

Probe access points are immediately visible for fast and safe individual lead testing, while staggered contact rows on 0,100" centers allow for easy probe attachment and help prevent accidental shorting of adjacent probes, Industry standard 0,635 mm square contact pins permit easy attachment of female socket connectors or wire wrapping.

## The Logical Connection



Logical Connection for Dual Inline Packages (Through-Hole ICs)

Remote test equipment can be easily connected to a PCB when the performance proven **A P Products** IC Test-Clip is combined with our complete, tested, ready-to-use cable assembly.

We call this combination "**The Logical Connection**". It is the ideal connection from a logic analyzer to an IC.

On one end, a pair of single-row socket connectors attach to the pins of a connector-compatible model Test-Clip. On the other end the cable is left open for an easy attachment of customer specific connectors. Logical Connections with preinstalled connectors are also available

### Narrow nose shape

fits high density PC boards; fits onto ICs with only 0,1" between leads or adjacent components.

### Probe holes

in the back of all connectors allow easy access to individual lines.

### Positive clamping

The heavy duty industrial grade metal springs provide a firm positive grip to the DIP under test. The weight of the probes and test leads can't disturb connections, eliminating intermittents and false readings.

### Cable loop

between connectors allows free actuation of the Test-Clip for clearance over all package styles.

### Molded-on connectors

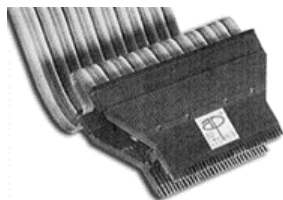
provide optimum electrical integrity and strain relief. (not available on all configurations)

### Custom configurations

can be ordered by contacting factory.



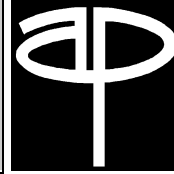
Logical Connection for Small Outline Packages (Surface Mount ICs)



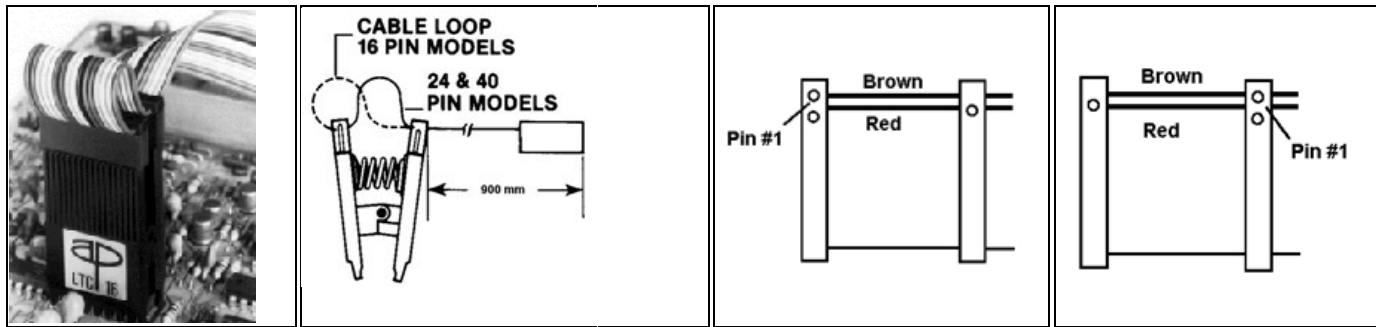
Logical Connection for Shrink DIP Packages (Through-Hole ICs)



Logical Connection for PLCC Packages (Surface Mount ICs)



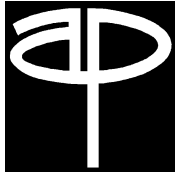
## Logical Connection for Dual Inline Packages (Through-Hole ICs)



Remote End Termination			Logical Connection (Test Clip and Cable Assembly)	Cable Assembly only (No Test Clip)	Logical Connection (Test Clip and Cable Assembly)	Cable Assembly only (No Test Clip)
Connector	Description	No. of Contacts	Part Number*	Part Number*	Part Number*	Part Number*
	none	08	923930-08	922490-08	923880-08	922590-08
		14	923930-14	922490-14	923880-14	922590-14
		16	923930-16	922490-16	923880-16	922590-16
		18	923930-18	922490-18	923880-18	922590-18
		20	923930-20	922490-20	923880-20	922590-20
		22	923930-22	922490-22	923880-22	922590-22
		24	923930-24	922490-24	923880-24	922590-24
		28	923930-28	922490-28	923880-28	922590-28
		32	923930-32	922490-32	923880-32	922590-32
		36	923930-36	922490-36	923880-36	922590-36
		40	923880-40	922590-40	923930-40	922490-40
	Socket Connector - mates with two rows of 0,635mm (0,025") square or diameter pins on 2,54 mm (0,100") centers.	14	923931-14	922491-14	923881-14	922591-14
		16	923931-16	922491-16	923881-16	922591-16
		20	923931-20	922491-20	923881-20	922591-20
		26**	923931-24	922491-24	923881-24	922591-24
		40	923881-40	922591-40	923931-40	922491-40
		50**	923881-48	922591-48	923931-48	922491-48
	DIP Connector - mates with standard DIP sockets	08	923934-08	922494-08	923884-08	922594-08
		14	923934-14	922494-14	923884-14	922594-14
		16	923934-16	922494-16	923884-16	922594-16
		20	923934-20	922494-20	923884-20	922594-20
		24	923934-24	922494-24	923884-24	922594-24
		28	923934-28	922494-28	923884-28	922594-28
40	923934-40	922494-40	923884-40	922594-40		

\* Part number suffix denotes number of pins in Test Clip.

\*\* On 26 position connectors, position #25 and #26 are unused. On 50 position connectors, position #49 and #50 are unused.



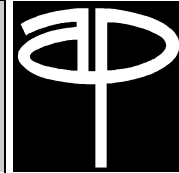
# Assessories

## Logical Connection for Small Outline Packages (Surface Mount ICs)

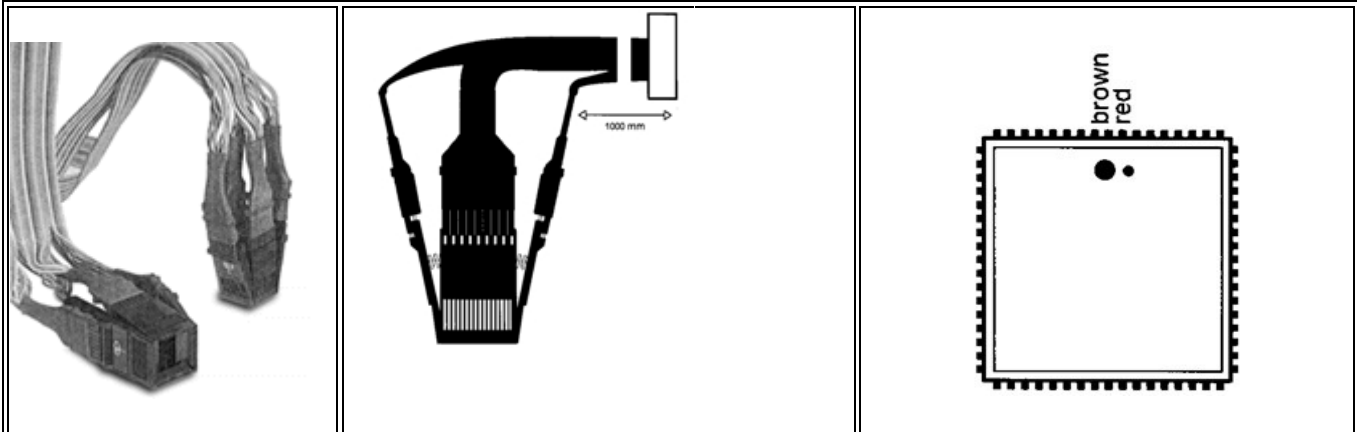
<b>Remote End Termination</b>				Logical Connection (Test Clip and Cable Assembly)	Cable Assembly only (No Test Clip)	Logical Connection (Test Clip and Cable Assembly)	Cable Assembly only (No Test Clip)
<b>Connector</b>	<b>Description</b>	<b>No. of Contacts</b>	<b>Part Number*</b>	<b>Part Number*</b>	<b>Part Number*</b>	<b>Part Number*</b>	
	none	08 14 16 18 20 24 28	924930-08 924930-14 924930-16 924930-18 924930-20 924930-24 924930-28	924490-08 924490-14 924490-16 924490-18 924490-20 924490-24 924490-28	924880-08 924880-14 924880-16 924880-18 924880-20 924880-24 924880-28	924590-08 924590-14 924590-16 924590-18 924590-20 924590-24 924590-28	
	Socket Connector - mates with two rows of 0,635mm (0,025") square or diameter pins on 2,54 mm (0,100") centers.	10** 14 16 20** 20 26** 34**	924931-08 924931-14 924931-16 924931-18 924931-20 924931-24 924931-28	924491-08 924491-14 924491-16 924491-18 924491-20 924491-24 924491-28	924881-08 924881-14 924881-16 924881-18 924881-20 924881-24 924881-28	924591-08 924591-14 924591-16 924591-18 924591-20 924591-24 924591-28	
	DIP Connector - mates with standard DIP sockets	08 14 16 18 20 24 28	924934-08 924934-14 924934-16 924934-18 924934-20 924934-24 924934-28	924494-08 924494-14 924494-16 924494-18 924494-20 924494-24 924494-28	924884-08 924884-14 924884-16 924884-18 924884-20 924884-24 924884-28	924594-08 924594-14 924594-16 924594-18 924594-20 924594-24 924594-28	

\* Part number suffix denotes number of pins in Test Clip.

\*\* On 10 position connectors, position #09 and #10 are unused.  
 On 20 position connectors, position #19 and #20 are unused.  
 On 26 position connectors, position #25 and #26 are unused.  
 On 34 position connectors, position #29 to #34 are unused.



## Logical Connection for PLCC Packages (Surface Mount ICs)

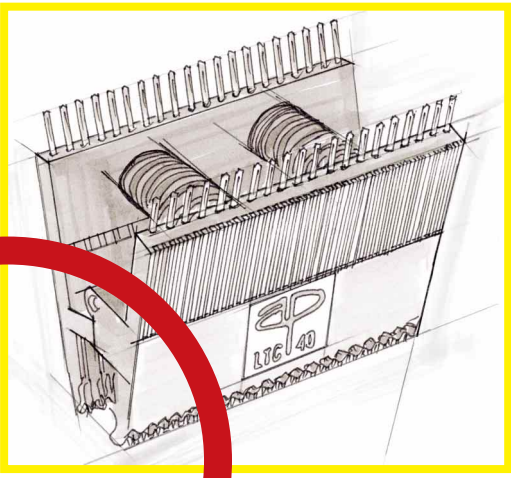


<b>Remote End Termination</b>			Logical Connection (Test Clip and Cable Assembly)	Cable Assembly only (No Test Clip)
Connector	Description	No. of Contacts	Part Number*	Part Number*
	none	20 28 44 52** 68** 84**	925880-20 925880-28 925880-44 925880-52 925880-68 925880-84	925590-20 925590-28 925590-44 925590-52 925590-68 925590-84
	Socket Connector - mates with two rows of 0,635mm (0,025") square or diameter pins on 2,54 mm (0,100") centers.	20 34*** 50*** 26** 34** 50**/****	925881-20 925881-28 925881-44 925881-52 925881-68 925881-84	925591-20 925591-28 925591-44 925591-52 925591-68 925591-84

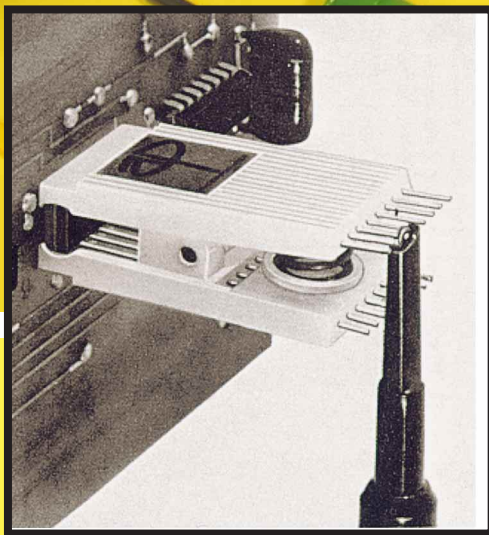
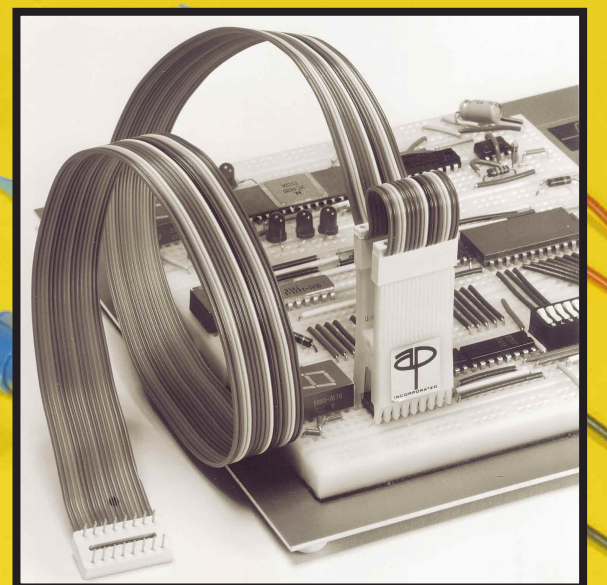
\* Part number suffix denotes number of pins in Test Clip.  
 \*\* 2 Cables with individual ends  
 \*\*\* On 34 position connectors, position #29 to #34 are unused.  
 On 50 position connectors, position #44 to #50 are unused.  
 \*\*\*\* On 50 position connectors, position #44 to #50 are unused.



40



# JAHRE TEST CLIP





# **A P Products GmbH**



**Bäumlesweg 21  
D-71093 Weil im Schönbuch  
Germany**

**Telefon: +49 (71 57) 53 48-0  
Telefax: +49 (71 57) 53 48-39**

**Internet: [www.ap-products.com](http://www.ap-products.com)  
E-Mail: [info@ap-products.com](mailto:info@ap-products.com)**