

TAC ATO® Style Blade Fuse Rated 58V



Blade Fuses



Specifications

DIN 72581-3
 UL 248 Special Purpose Fuses
 cULus Recognized: File No. E211637

Insulating body: Out of thermoplastic (UL 94-V0, heat-resistant)
Cover: Out of thermoplastic (V0, transparent), Visible melting-element

Connections: Blade contacts
 Copper alloy, gal. Sn
 Edge-protected

Breaking capacity: 1,000 A, 58 VDC

The TAC is an ATO style blade fuse rated at 58V, featuring a three part construction with copper contacts for excellent reliability in harsh environment conditions and low voltage drop. Current ratings 1A thru 40A. With see-through cover for easy detection of blown fuses.

TAC ist eine ATO-Flachstecksicherung mit 58V Nennspannung. Merkmale sind dreiteiliger Aufbau mit Kupferkontakten, niedriger Spannungsabfall und hohe Zuverlässigkeit unter rauen Umgebungsbedingungen. Nennstrom 1A bis 40A, transparente Abdeckung zur leichten Erkennung durchgebrannter Sicherungen.

Time-Current Characteristics / Schmelzeit-Grenzwerte

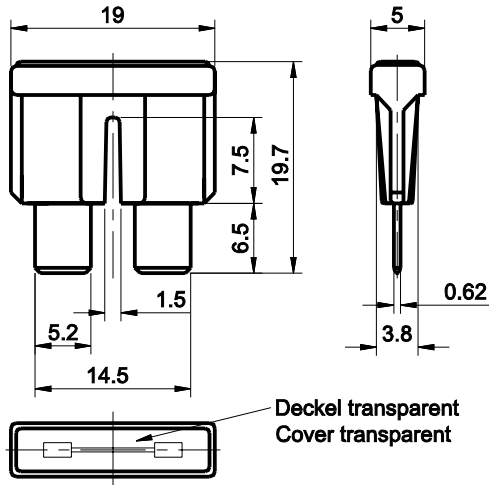
% of Rating % des Nennstromes	Opening Time Min / Max (s) Schmelzcharakteristik Min / Max (s)
110	100 h / –
135	750 ms / 1,800 s
200	150 ms / 5 s
350	40 ms / 500 ms
600	20 ms / 100 ms

Part Number Artikel-Nr.	Current Rating Nennstrom	Housing Color Kennfarbe	Typ. Voltage Drop Typ. Spannungsfall		Cold Resistance Kaltwiderstand	I ² t
			Standard DIN max.	Littelfuse max.		
142.6185.410_	1 A	Black	–	150 mV	108 mΩ	2.00 A ² s
142.6185.420_	2 A	Grey	–	130 mV	45.0 mΩ	8.00 A ² s
142.6185.430_	3 A	Purple	175 mV	140 mV	28.5 mΩ	15.0 A ² s
142.6185.440_	4 A	Pink	175 mV	120 mV	22.5 mΩ	25.0 A ² s
142.6185.450_	5 A	Brown	175 mV	145 mV	16.5 mΩ	35.0 A ² s
142.6185.475_	7.5 A	Dark Brown	150 mV	115 mV	11.5 mΩ	60.0 A ² s
142.6185.510_	10 A	Red	125 mV	95 mV	6.80 mΩ	115 A ² s
142.6185.515_	15 A	Blue	125 mV	90 mV	4.30 mΩ	250 A ² s
142.6185.520_	20 A	Yellow	125 mV	90 mV	3.10 mΩ	600 A ² s
142.6185.525_	25 A	White	100 mV	80 mV	2.30 mΩ	600 A ² s
142.6185.530_	30 A	Green	100 mV	80 mV	1.90 mΩ	1,070 A ² s
142.6185.540_	40 A	Orange	100 mV	100 mV	1.40 mΩ	2,000 A ² s

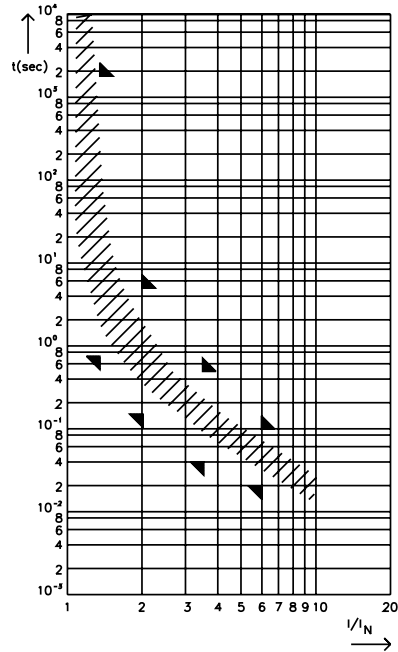
Last figure of part number = packaging code, see Section "Packaging Index," pg. 157.
 Corresponding holder see Section "Fuse Holders."

TAC ATO® Style Blade Fuse Rated 58V

Dimensions in mm / Maße in mm



Pre-arcing Time - limits / Schmelzeit-Grenzwerte DIN



FI = 1.33 (max. operating current: 0.75 x I_{rat} at 23°C)