

MAGNETIC SENSOR

MP1014 Series



Digital Hall-effect proximity sensor in low-profile flange-mount housing.

Features

- Capable of millions of operations
- Meets IEC529 IPX5 for water protection
- Reverse Battery Protection to -24VDC
- MP101402 provides highly sensitive unipolar switching
- MP101403 latches in presence of south pole and unlatches in presence of north pole magnet

Applications

- Door position sensing
- Flow sensing
- Pedal switch

Specifications

Part Number	Operating Voltage Range (VDC)	Supply Current (mA max.)	Output	Output Saturation Voltage (mV max.)	Output Current (mA max.)	Operating Temp Range (°C)	Function	Operate Point Gauss (max.)	Release Point Gauss (min.)
MP101401	4.5 – 24	5.2	3-wire sink	400	20	-40 to 85	Unipolar Switch	185 (south)	60 (south)
MP101402	4.5 – 24	5.2	3-wire sink	400	20	-40 to 85	Unipolar Switch	95 (south)	20 (south)
MP101403	4.5 – 24	5.2	3-wire sink	400	20	-40 to 85	Bipolar Latch	120 (south)	100 (north)

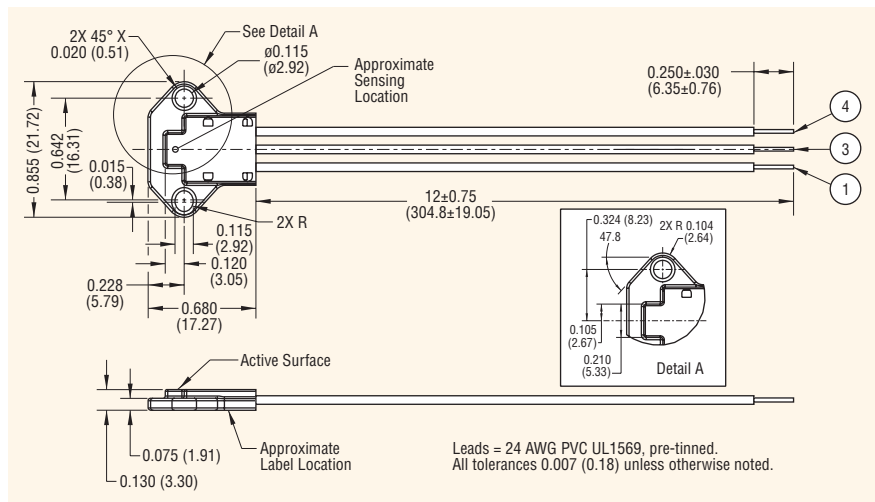
Notes: These sensors require the use of an external pull-up resistor, the value of which is dependent on the supply voltage. See page 18 for recommendations.

Pull-up resistor should be connected between output (Green) and Vcc (Red).

Unipolar switch output turns low in presence of magnetic south pole. Bipolar latch output latches high in presence of magnetic south poles and latches low in presence of magnetic north pole.

Dimensions inches (mm)

All tolerances ± 0.005 (0.13) unless otherwise noted.



Open Collector Sinking Block Diagram

