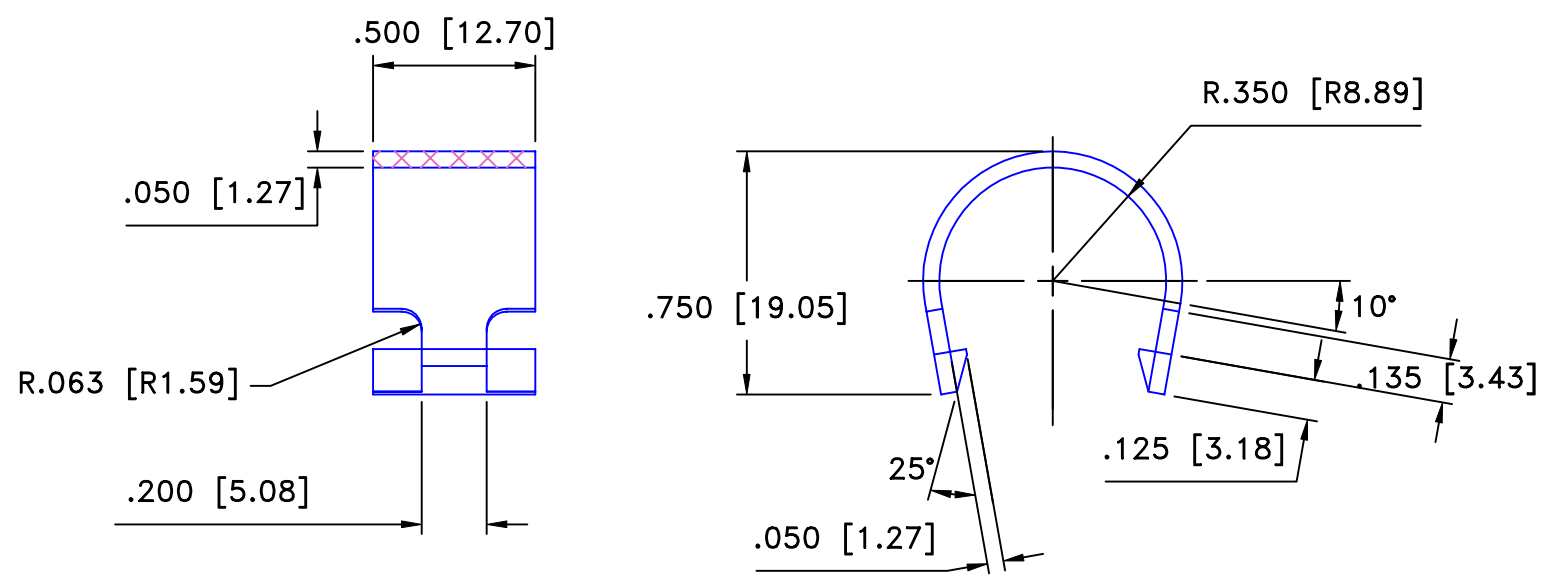



PART NO.	DESCRIPTION	MATERIAL
ABG-08	COVER	BLACK POLYSTRENE UL RATING-94V-0, FILE NO.

Date	SYM	REVISION RECORD	AUTH	DR.	CK.



Tolerance (Except as noted)	 Memory Protection Devices, Inc 200 Broad Hollow Road, Farmingdale, New York 11735
decimal ±.5 (.020)	
Fractional ± .8 (.030)	Scale 2=1
Angular ± 3°	Title Cover for BC2/3AE
	Date 12/16/00
	Drawing Number BC2/3AC
	Drawn By T.S. Approved By T.B.