

Cable  
assemblies

D-Sub / Hoods  
Centronics

Multiflex -  
DIN41651

Modular

USB  
IEEE1394

Switches

Powercords  
Powerleads

DIN41612  
Hardmetric

MiniDIN

Sockets / Strips  
Jumper

Terminal Blocks

Memory Card

FFC / FPC

FFC/FPC Steckverbinder von ASSMANN WSW components bieten dem Anwender ein abgerundetes Produktprogramm über alle gängigen Raster von 0.30 mm, 0.50 mm, 1.00 mm, 1,25 mm bis hin zum Raster 2,54 mm. Zu dem gewählten FFC/FPC Steckverbinder finden der Anwender gleichzeitig das passende, auf den Steckverbinder abgestimmte FFC/FPC – Kabel, das aus einer Hand kommt und in der gleichen Fertigung hergestellt wird.

In den frühen 70ern wurden diese Steckverbinder erstmalig entwickelt, um den Anwendern platzsparende Alternativen mit geringem Gewicht für Standardkabel-Boardverbindungen aufzuzeigen. In den vergangenen Jahren haben sich FFC/FPC Steckverbinder im Markt weiter entwickelt und in Anpassung an die verschiedensten Applikationen haben sich verschiedenste Raster, Bauhöhen und Verriegelungsarten ausgebildet. FFC/FPC Steckverbinder von ASSMANN WSW components finden ihren Einsatz in allen Märkten. Angefangen von der Telekommunikation, der Automobiltechnik, der Mess- und Regeltechnik bis hin zur Medizintechnik und der Industrie wissen Anwender die Vorteile dieser Produkte zu schätzen.

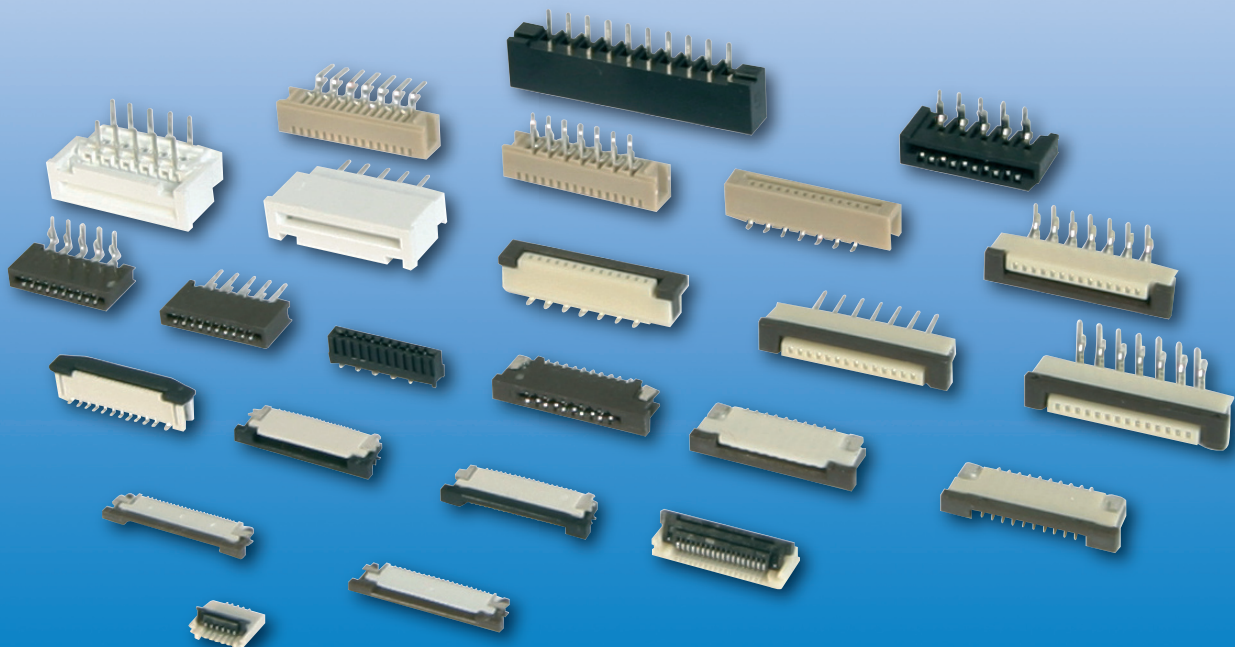
FFC / FPC Steckverbinder werden zusammen mit einem Flat Flexible Cable oder einem Flat Printed Cable als flexible Verbindung zwischen zwei Platinen genutzt. Die Kontaktierung zwischen Kabel und Steckverbinder erfolgt je nach Bauart des Steckverbinders mit geringer (LowInsertionForce) oder ohne Einsteckkräfte (ZeroInsertionForce). Diese Steckverbindung vereint Vorteile wie hohe Packungsdichten, kleine (flache) Bauformen und Automatenbestückbarkeit. Highlights in den Rastern 0.3mm und 0.5mm sind die sogenannten „One-Touch-Lock“-Varianten, die eine vereinfachte Verriegelung der ZIF Steckverbinder in einem Arbeitsvorgang ermöglichen..

ASSMANN WSW components offers a full range of FFC/FPC connectors including all common pitches 0.30mm, 0.50mm, 1.00mm, 1.25mm and 2.54mm.

In addition to the chosen FFC/FPC connectors ASSMANN WSW components as a system supplier is further offering the fully compatible FFC/FPC cable, which is designed and produced in the same factory.

In the early 1970's these kind of connectors had been developed as a pcb space saving and low weight alternative to existing standard Board to Board and Board to Wire connector systems. During the past years FFC/FPC connectors design has been under continuous evaluation and design improvements have been done to adapt as much as possible varieties of applications. Effects of these improvements became significant for smaller pitches, connector heights and different ejector designs. FFC/FPC connectors are usable in every end user market, whether it is the telecommunication, automotive, instrumentation, medicine or industrial applications.

FFC/FPC connectors are commonly used together with a Flat Flexible Cable or a Flat Printed Cable as for applications which do need a very flexible connection between two Boards or Board and I/O. The connection between connector and cable is made in line with the chosen style of the connector, whether it is a connector with LowInsertionForce and/or with ZeroInsertionForce design. These kinds of connections do combine the advantages of high integration, low height style and fully automatic assembly. Highlights are the so called 'One-Touch-Lock' versions based on 0.30 mm and 0.50mm pitch, which save a second working step by easy closure of the ejector.



**Produktbeschreibung**

Seite

|  |     |
|--|-----|
| AFFC30, Raster 0.30mm, ZIF SMD, horizontal, Kontakte untenliegend  | 374 |
| AFFC25, Raster 0.50mm, ZIF, SMD, horizontal, Kontakte untenliegend | 376 |
| AFFC20, Raster 0.50mm, ZIF, SMD, horizontal, Kontakte untenliegend | 378 |
| AFFC20, Raster 0.50mm, ZIF, SMD, horizontal, Kontakte obenliegend  | 380 |
| AFFC20, Raster 0.50mm, ZIF, SMD, vertikal, Kontakte einseitig      | 382 |
| AFFC23, Raster 0.50mm, ZIF, SMD, horizontal, Kontakte untenliegend | 384 |
| AFFC23, Raster 0.50mm, ZIF, SMD, horizontal, Kontakte obenliegend  | 386 |
| AFFC25, Raster 1.00mm, ZIF, SMD, horizontal, Kontakte untenliegend | 388 |
| AFFC07, Raster 1.00mm, ZIF, SMD, horizontal, Kontakte untenliegend | 390 |
| AFFC07, Raster 1.00mm, ZIF, SMD, horizontal, Kontakte obenliegend  | 392 |
| AFFC08, Raster 1.00mm, LIF, SMD, horizontal, Kontakte beidseitig   | 394 |
| AFFC08, Raster 1.00mm, LIF, SMD, vertikal, Kontakte beidseitig     | 396 |
| AFFC09, Raster 1.00mm, LIF, DIP, vertikal, Kontakte beidseitig     | 398 |
| AFFC09, Raster 1.00mm, LIF, DIP, horizontal, Kontakte beidseitig   | 399 |
| AFFC10, Raster 1.00mm, ZIF, DIP, horizontal, Kontakte obenliegend  | 400 |
| AFFC10, Raster 1.00mm, ZIF, DIP, horizontal, Kontakte untenliegend | 401 |
| AFFC10, Raster 1.00mm, ZIF, DIP, vertikal Kontakte einseitig       | 402 |
| AFFC10, Raster 1.00mm, ZIF, SMD, vertikal Kontakte einseitig       | 403 |
| AFFC16, Raster 1.00mm, LIF, DIP, horizontal, Kontakte obenliegend  | 405 |
| AFFC16, Raster 1.00mm, LIF, DIP, horizontal, Kontakte untenliegend | 406 |
| AFFC16, Raster 1.00mm, LIF, DIP, horizontal, Kontakte einseitig    | 407 |
| AFFC16, Raster 1.00mm, LIF, SMD, vertikal, Kontakte einseitig      | 408 |
| AFFC01, Raster 1.25mm, ZIF, DIP, vertikal, Kontakte einseitig      | 410 |
| AFFC01, Raster 1.25mm, ZIF, DIP, horizontal, Kontakte obenliegend  | 411 |
| AFFC12, Raster 1.25mm, LIF, DIP, vertikal, Kontakte einseitig      | 412 |
| AFFC12, Raster 1.25mm, LIF, DIP, horizontal, Kontakte obenliegend  | 413 |
| AFFC14, Raster 2.54mm, LIF, DIP, vertikal, Kontakte einseitig      | 414 |
| AFFC14, Raster 2.54mm, LIF, DIP, horizontal Kontakte obenliegend   | 415 |

**Product description**

page

|   |     |
|---|-----|
| AFFC30, pitch 0.30mm, ZIF, SMD, horizontal, bottomside contacts   | 374 |
| AFFC25, pitch 0.50mm, ZIF, SMD, horizontal, bottomside contacts   | 376 |
| AFFC20, pitch 0.50mm, ZIF, SMD, horizontal, bottomside contacts   | 378 |
| AFFC20, pitch 0.50mm, ZIF, SMD, horizontal, topside contacts      | 380 |
| AFFC20, pitch 0.50mm, ZIF, SMD, vertical, single sided contacts   | 382 |
| AFFC23, pitch 0.50mm, ZIF, SMD, horizontal, bottomside contacts   | 384 |
| AFFC23, pitch 0.50mm, ZIF, SMD, horizontal, topside contacts      | 386 |
| AFFC25, pitch 1.00mm, ZIF, SMD, horizontal, bottomside contacts   | 388 |
| AFFC07, pitch 1.00mm, ZIF, SMD, horizontal, bottomside contacts   | 390 |
| AFFC07, pitch 1.00mm, ZIF, SMD, horizontal, topside contacts      | 392 |
| AFFC08, pitch 1.00mm, LIF, SMD, horizontal, double sided contacts | 394 |
| AFFC08, pitch 1.00mm, LIF, SMD, vertical, double sided contacts   | 396 |
| AFFC09, pitch 1.00mm, LIF, DIP, vertical, double sided contacts   | 398 |
| AFFC09, pitch 1.00mm, LIF, DIP, horizontal, double sided contacts | 399 |
| AFFC10, pitch 1.00mm, ZIF, DIP, horizontal, topside contacts      | 400 |
| AFFC10, pitch 1.00mm, ZIF, DIP, horizontal, bottomside contacts   | 401 |
| AFFC10, pitch 1.00mm, ZIF, DIP, vertical, single sided contacts   | 402 |
| AFFC10, pitch 1.00mm, ZIF, SMD, vertical, single sided contacts   | 403 |
| AFFC16, pitch 1.00mm, LIF, DIP, horizontal, topside contacts      | 405 |
| AFFC16, pitch 1.00mm, LIF, DIP, vertical, bottomside contacts     | 406 |
| AFFC16, pitch 1.00mm, LIF, DIP, vertical, single sided contacts   | 407 |
| AFFC16, pitch 1.00mm, LIF, SMD, vertical, single sided contacts   | 408 |
| AFFC01, pitch 1.25mm, ZIF, DIP, vertical, single sided contacts   | 410 |
| AFFC01, pitch 1.25mm, ZIF, DIP, horizontal, topside contacts      | 411 |
| AFFC12, pitch 1.25mm, LIF, DIP, vertical, single sided contacts   | 412 |
| AFFC12, pitch 1.25mm, LIF, DIP, horizontal, topside contacts      | 413 |
| AFFC14, pitch 2.54mm, LIF, DIP, vertical, single sided contacts   | 414 |
| AFFC14, pitch 2.54mm, LIF, DIP, horizontal, topside contacts      | 415 |



Cable assemblies

D-Sub / Hoods Centronics

Multiflex - DIN41651

Modular

USB IEEE1394

Switches

Powercards Powerinlets

DIN41612 Hardmetric

MiniDIN

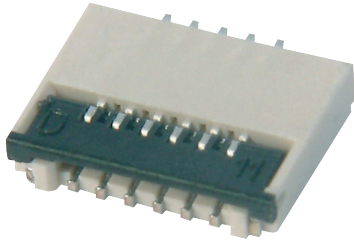
Sockets / Strips Jumper

Terminal Blocks

Memory Card

FFC / FPC

One touch lock



**Isolierkörpermaterial**  
Nylon, UL94V-0

**Kontaktmaterial**  
Phosphorbronze

**Kontaktoberfläche**  
Ni, Sn

**Kontaktwiderstand**  
30mΩ max

**Isolationswiderstand**  
50MΩ min

**Strombelastbarkeit**  
0.3A

**Betriebstemperatur**  
-25°C - +85°C

**Betriebsspannung**  
50V AC

**Prüfspannung**  
250V AC

**Verpackung**  
Rollenverpackung oder  
Stangenverpackung

**Insulator material**  
Nylon, UL94V-0

**Contact material**  
Phosphor bronze

**Plating**  
Ni, Sn

**Contact resistance**  
30mΩ max

**Insulation resistance**  
50MΩ min

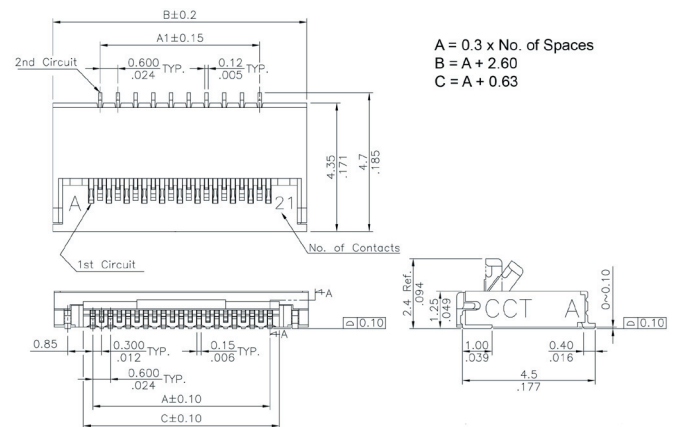
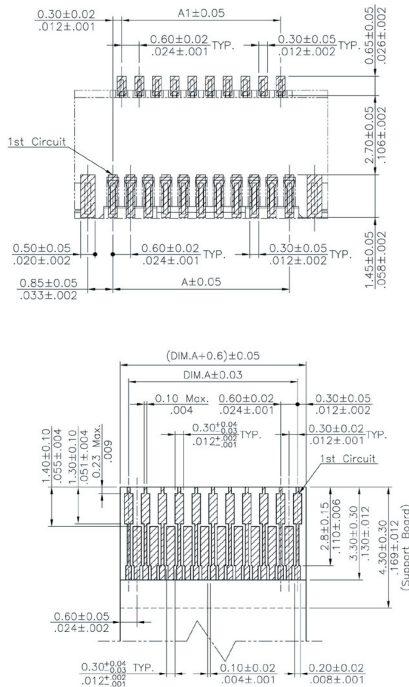
**Current rating**  
0.3A

**Operating temperature**  
-25°C - +85°C

**Operating voltage**  
50V AC

**Test voltage**  
250V AC

**Packing**  
Reel packing or  
Tube packing



Bestellcode / Ordercode

**Polzahlen**

06 - 30

**No. of contacts**

06 - 30

**Raster**

030 - 0.30mm

**Pitch**

030 - 0.30mm

**SHB - SMD, horizontal,  
Kontakte untenliegend**

**SHB - SMD, horizontal,  
bottomside contacts**

**Verpackung**

T - Stange  
R - Rolle

**Packing**

T - Tube  
R - Reel

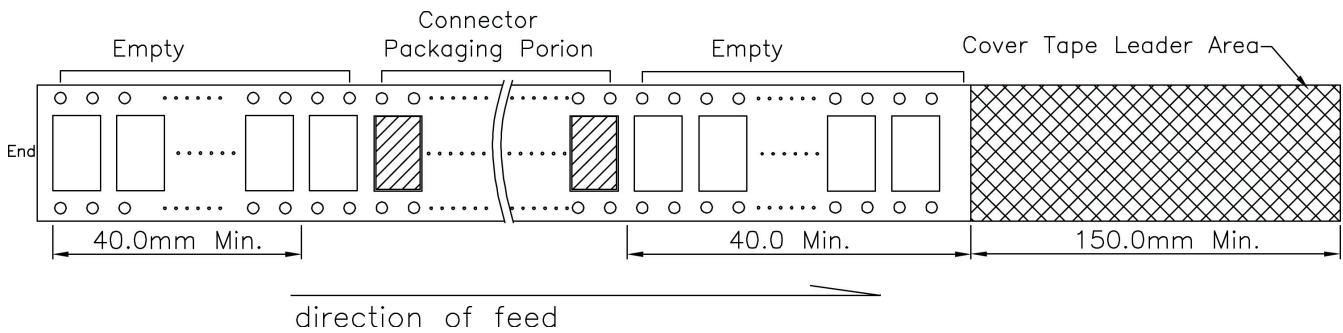
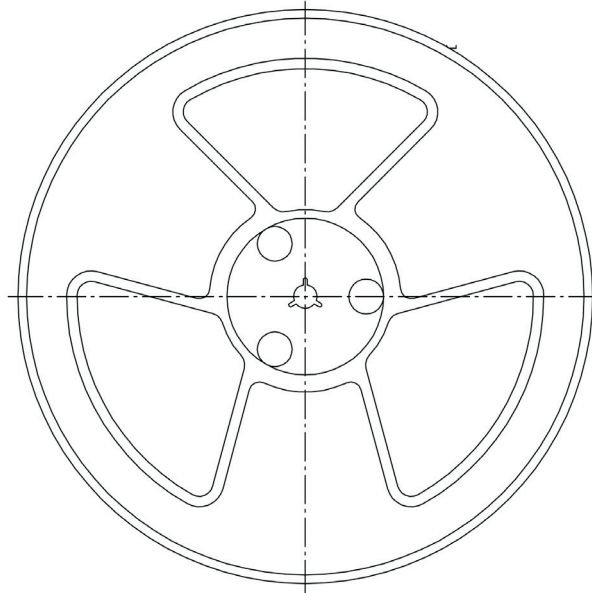
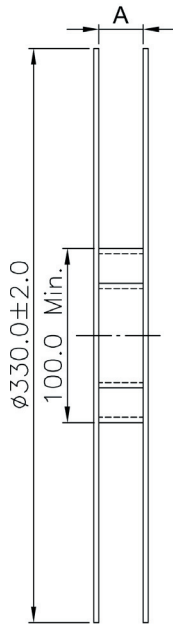
**AFFC30** **xx** - **030** - **SHB** - **x**

Bitte „x“ durch die geeignete Option ersetzen  
Please replace „x“ with appropriate option



Verpackung entspricht  
EIA-481-C.

Packing correspond with  
EIA-481-C.



| No. of contacts | A     | Qty per Reel |
|-----------------|-------|--------------|
| 04              | 16.40 | 1500         |
| 05 - 12         | 24.40 | 1500         |
| 13 - 16         | 32.40 | 1500         |
| 17 - 27         | 44.40 | 1500         |
| 28 - 30         | 56.40 | 1500         |

Cable  
assemblies

D-Sub / Hoods  
Centronics

Multiflex -  
DIN41651

Modular

USB  
IEEE1394

Switches

Powercards  
Powernriets

DIN41612  
Hardmetric

MiniDIN

Sockets / Strips  
Jumper

Terminal Blocks

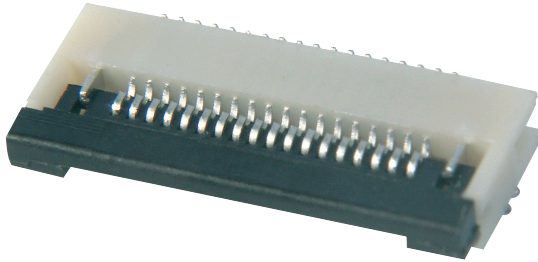
Memory Card

FPC / FPC



- Cable assemblies
- D-Sub / Hoods Centronics
- Multiflex - DIN41651
- Modular
- USB IEEE1394
- Switches
- Powercords Powerlets
- DIN41612 Hardmetric
- MiniDIN
- Sockets / Strips Jumper
- Terminal Blocks
- Memory Card
- FFC / FPC

One touch lock



**Isolierkörpermaterial**

Nylon, UL94V-0

**Kontaktmaterial**

Phosphorbronze

**Kontaktoberfläche**

Ni, Sn

**Kontaktwiderstand**

30mΩ max

**Isolationswiderstand**

100MΩ min

**Strombelastbarkeit**

0.4A

**Betriebstemperatur**

-25°C - +85°C

**Betriebsspannung**

50V AC

**Prüfspannung**

250V AC

**Verpackung**

Rollenverpackung oder Stangenverpackung

**Insulator material**

Nylon, UL94V-0

**Contact material**

Phosphor bronze

**Plating**

Ni, Sn

**Contact resistance**

30mΩ max

**Insulation resistance**

100MΩ min

**Current rating**

0.4A

**Operating temperature**

-25°C - +85°C

**Operating voltage**

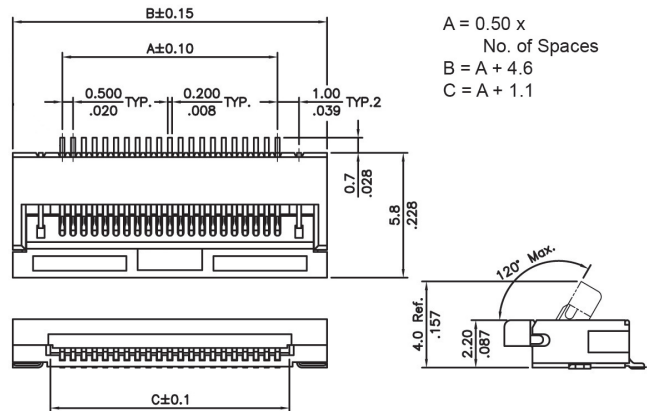
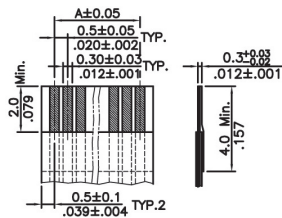
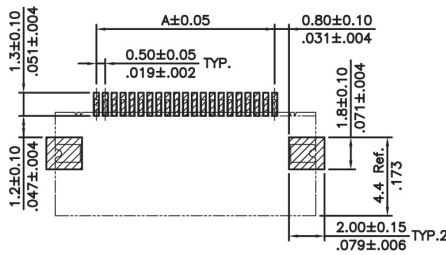
50V AC

**Test voltage**

250V AC

**Packing**

Reel packing or Tube packing



A = 0.50 x No. of Spaces  
 B = A + 4.6  
 C = A + 1.1

**Bestellcode / Ordercode**

**Polzahlen**

08 - 65

**No. of contacts**

08 - 65

**Raster**

050 - 0.50mm

**Pitch**

050 - 0.50mm

SHB - SMD, horizontal,  
Kontakte untenliegend

SHB - SMD, horizontal,  
bottomside contacts

**Verpackung**

T - Stange  
 R - Rolle

**Packing**

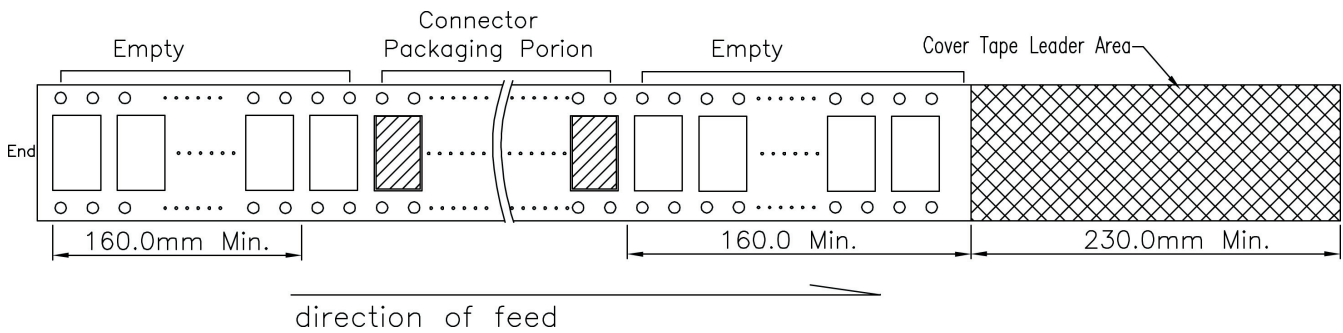
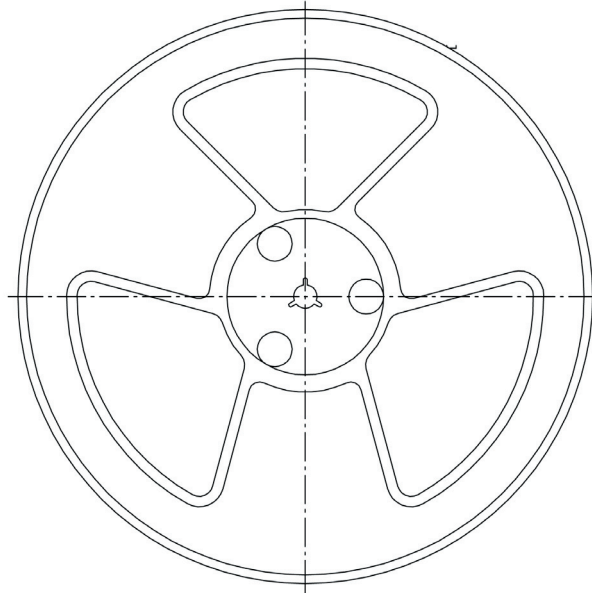
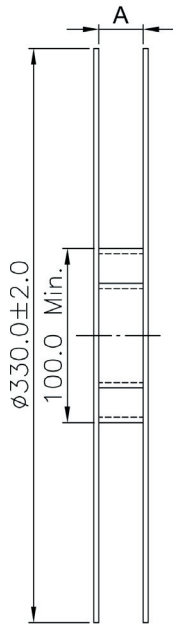
T - Tube  
 R - Reel

**AFFC25 xx - 050 - SHB - x**

Bitte „x“ durch die geeignete Option ersetzen  
 Please replace „x“ with appropriate option

Verpackung entspricht  
EIA-481-C.

Packing correspond with  
EIA-481-C.



| No. of contacts | A    | Qty per Reel |
|-----------------|------|--------------|
| 08 - 09         | 16.5 | 2000         |
| 10 - 23         | 24.5 | 2000         |
| 24 - 37         | 32.5 | 2000         |
| 38 - 61         | 44.5 | 2000         |
| 62 - 65         | 56.5 | 2000         |

Cable  
assemblies

D-Sub / Hoods  
Centronics

Multiflex -  
DIN41651

Modular

USB  
IEEE1394

Switches

Powercards  
Powernlets

DIN41612  
Hardmetric

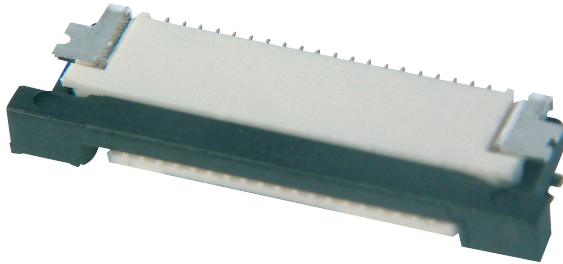
MiniDIN

Sockets / Strips  
Jumper

Terminal Blocks

Memory Card

FFC / FPC



**Isolierkörpermaterial**  
Nylon, UL94V-0

**Kontaktmaterial**  
Phosphorbronze

**Kontaktoberfläche**  
Ni, Sn

**Kontaktwiderstand**  
30mΩ max

**Isolationswiderstand**  
100MΩ min

**Strombelastbarkeit**  
0.4A

**Betriebstemperatur**  
-25°C - +85°C

**Betriebsspannung**  
50V AC

**Prüfspannung**  
250V AC

**Verpackung**  
Rollenverpackung oder Stangenverpackung

**Insulator material**  
Nylon, UL94V-0

**Contact material**  
Phosphor bronze

**Plating**  
Ni, Sn

**Contact resistance**  
30mΩ max

**Insulation resistance**  
100MΩ min

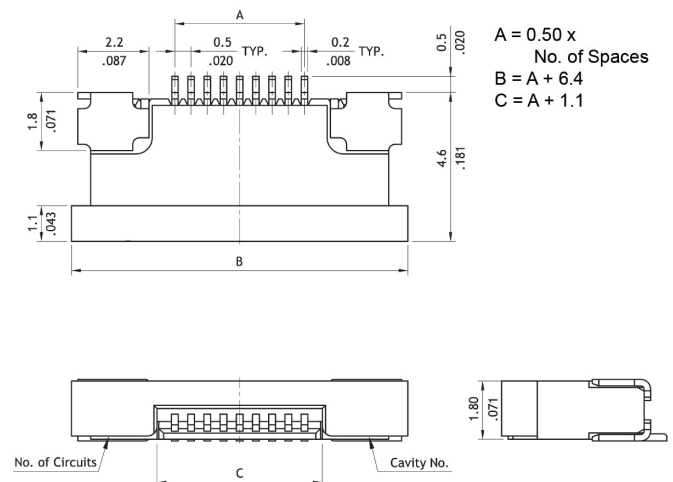
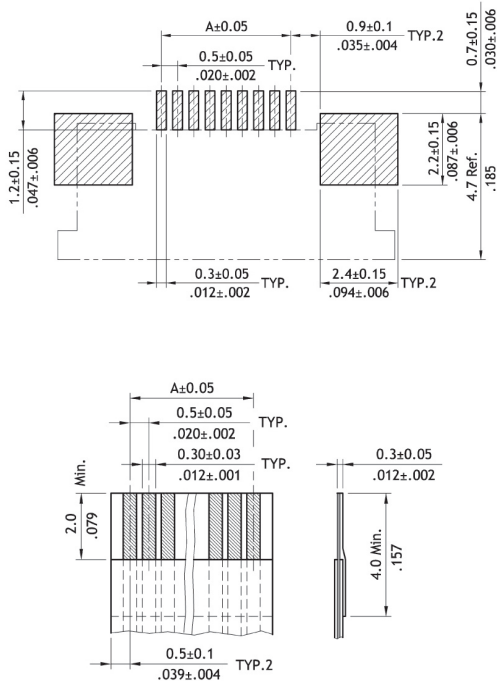
**Current rating**  
0.4A

**Operating temperature**  
-25°C - +85°C

**Operating voltage**  
50V AC

**Test voltage**  
250V AC

**Packing**  
Reel packing or Tube packing



Bestellcode / Ordercode

**Polzahlen**

**No. of contacts**

06 - 50

06 - 50

**Raster**

**Pitch**

050 - 0.50mm

050 - 0.50mm

SHB - SMD, horizontal,  
Kontakte untenliegend

SHB - SMD, horizontal,  
bottomside contacts

**Verpackung**

**Packing**

T - Stange

T - Tube

R - Rolle

R - Reel

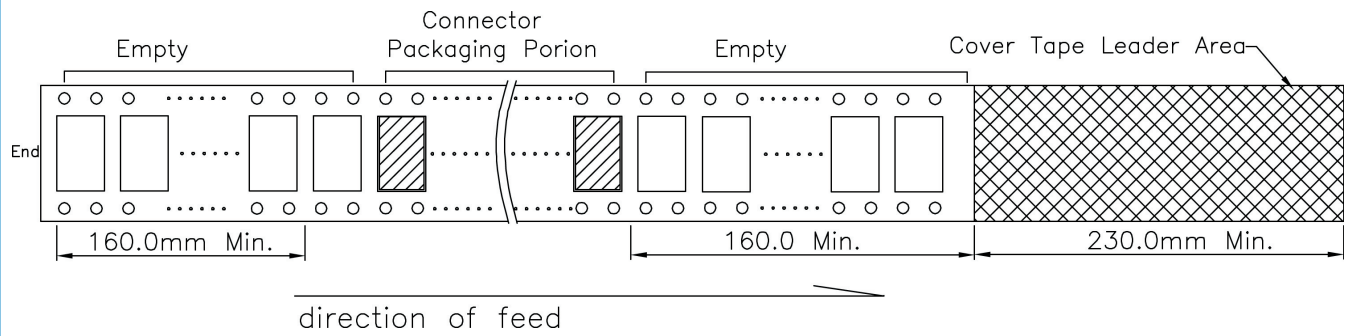
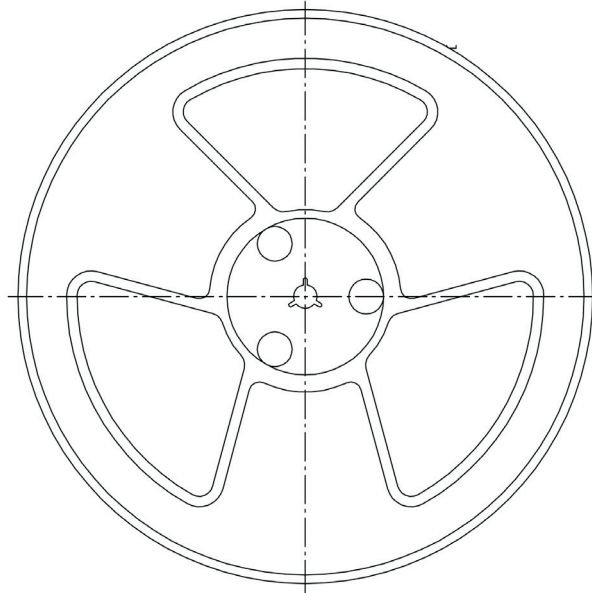
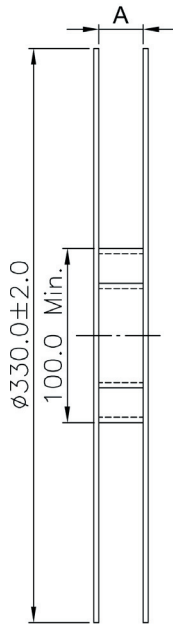
**AFFC20** **xx** - **050** - **SHB** - **x**

Bitte „x“ durch die geeignete Option ersetzen  
Please replace „x“ with appropriate option



Verpackung entspricht  
EIA-481-C.

Packing correspond with  
EIA-481-C.



| No. of contacts | A     | Qty per Reel |
|-----------------|-------|--------------|
| 06 - 21         | 24.50 | 2000         |
| 22 - 31         | 32.50 | 2000         |
| 32 - 50         | 44.50 | 2000         |

Cable  
assemblies

D-Sub / Hoods  
Centronics

Multiflex -  
DIN41651

Modular

USB  
IEEE1394

Switches

Powercards  
Powernets

DIN41612  
Hardmetric

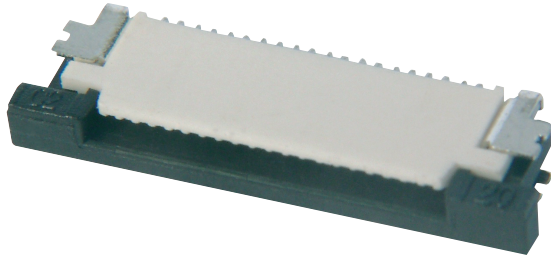
MiniDIN

Sockets / Strips  
Jumper

Terminal Blocks

Memory Card

FPC / FPC



**Isolierkörpermaterial**  
Nylon, UL94V-0

**Kontaktmaterial**  
Phosphorbronze

**Kontaktoberfläche**  
Ni, Sn

**Kontaktwiderstand**  
30mΩ max

**Isolationswiderstand**  
100MΩ min

**Strombelastbarkeit**  
0.4A

**Betriebstemperatur**  
-25°C - +85°C

**Betriebsspannung**  
50V AC

**Prüfspannung**  
250V AC

**Verpackung**  
Rollenverpackung oder  
Stangenverpackung

**Insulator material**  
Nylon, UL94V-0

**Contact material**  
Phosphor bronze

**Plating**  
Ni, Sn

**Contact resistance**  
30mΩ max

**Insulation resistance**  
100MΩ min

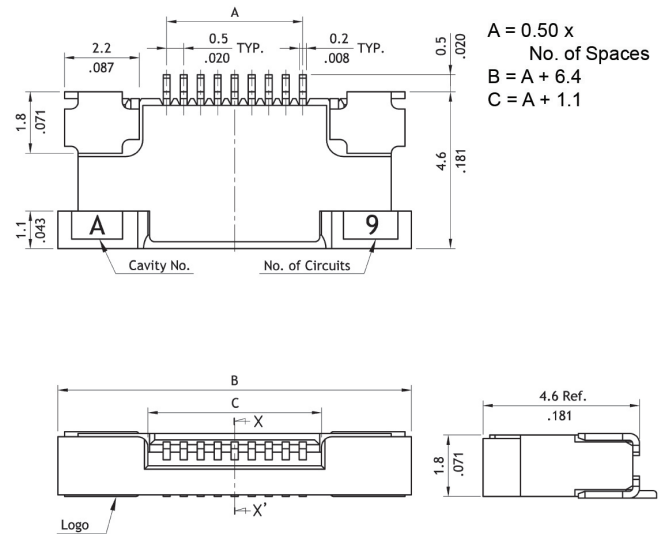
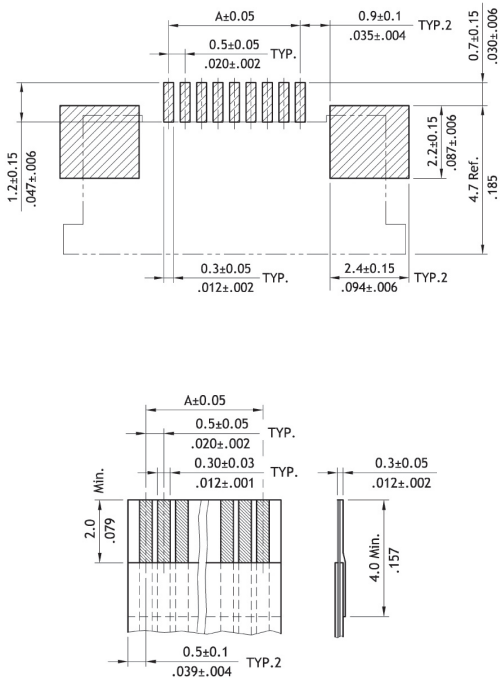
**Current rating**  
0.4A

**Operating temperature**  
-25°C - +85°C

**Operating voltage**  
50V AC

**Test voltage**  
250V AC

**Packing**  
Reel packing or  
Tube packing



Bestellcode / Ordercode

**Polzahlen**

06 - 50

**No. of contacts**

06 - 50

**Raster**

050 - 0.50mm

**Pitch**

050 - 0.50mm

**SHT - SMD, horizontal,  
Kontakte obenliegend**

**SHB - SMD, horizontal,  
topside contacts**

**Verpackung**

T - Stange  
R - Rolle

**Packing**

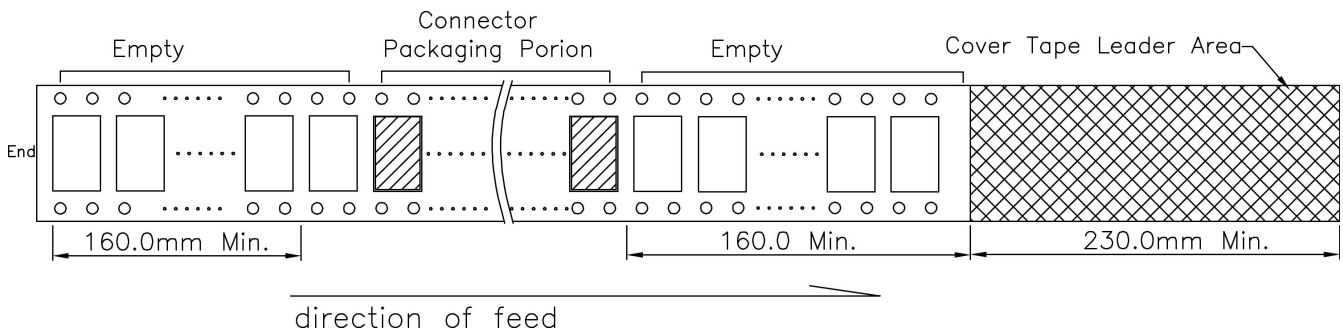
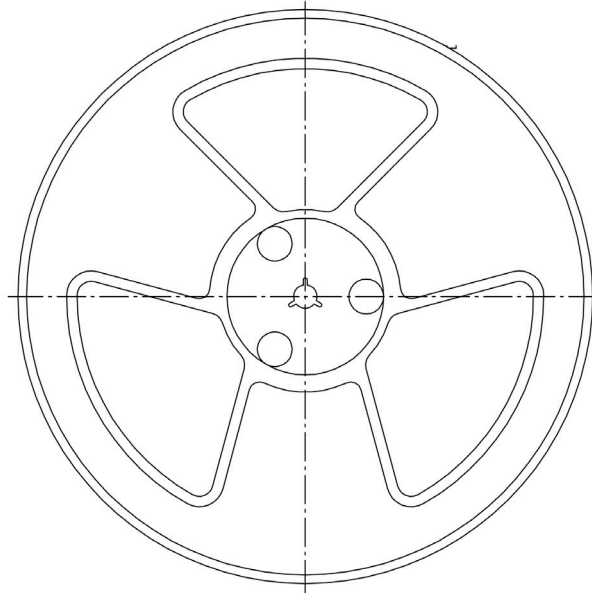
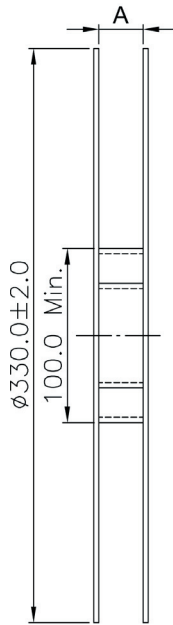
T - Tube  
R - Reel

**AFFC20** **xx** - **050** - **SHT** - **x**

Bitte „x“ durch die geeignete Option ersetzen  
Please replace „x“ with appropriate option

Verpackung entspricht  
EIA-481-C.

Packing correspond with  
EIA-481-C.



| No. of contacts | A     | Qty per Reel |
|-----------------|-------|--------------|
| 06 - 21         | 24.50 | 2000         |
| 22 - 31         | 32.50 | 2000         |
| 32 - 50         | 44.50 | 2000         |

Cable  
assemblies

D-Sub / Hoods  
Centronics

Multiflex -  
DIN41651

Modular

USB  
IEEE1394

Switches

Powercards  
Powernets

DIN41612  
Hardmetric

MiniDIN

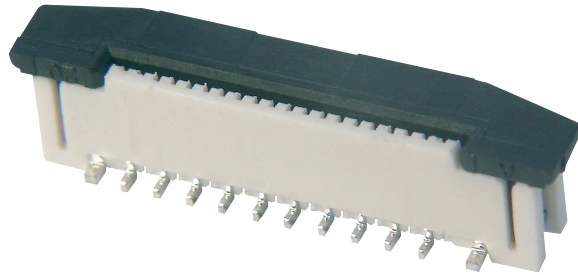
Sockets / Strips  
Jumper

Terminal Blocks

Memory Card

FPC / FPC





**Isolierkörpermaterial**  
Nylon, UL94V-0

**Kontaktmaterial**  
Phosphorbronze

**Kontaktoberfläche**  
Ni, Sn

**Kontaktwiderstand**  
30mΩ max

**Isolationswiderstand**  
100MΩ min

**Strombelastbarkeit**  
0.4A

**Betriebstemperatur**  
-25°C - +85°C

**Betriebsspannung**  
50V AC

**Prüfspannung**  
250V AC

**Verpackung**  
Rollenverpackung oder  
Stangenverpackung

**Insulator material**  
Nylon, UL94V-0

**Contact material**  
Phosphor bronze

**Plating**  
Ni, Sn

**Contact resistance**  
30mΩ max

**Insulation resistance**  
100MΩ min

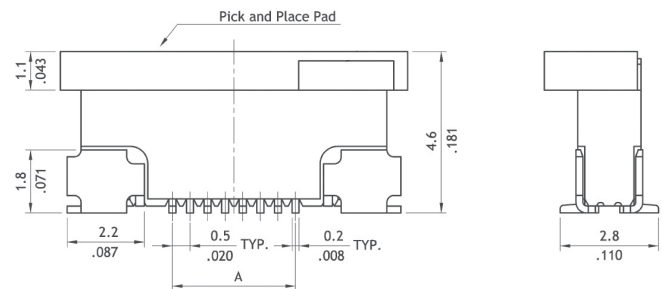
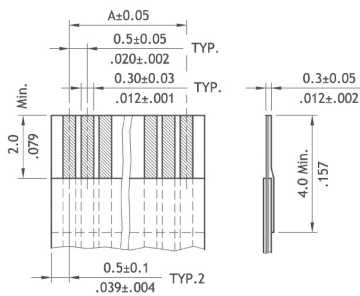
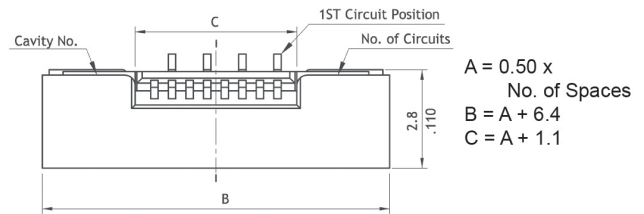
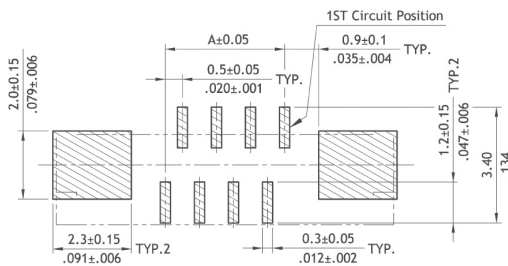
**Current rating**  
0.4A

**Operating temperature**  
-25°C - +85°C

**Operating voltage**  
50V AC

**Test voltage**  
250V AC

**Packing**  
Reel packing or  
Tube packing



Bestellcode / Ordercode

**Polzahlen**

**No. of contacts**

06 - 50

06 - 50

**Raster**

**Pitch**

050 - 0.50mm

050 - 0.50mm

**SVS** - SMD, vertikal,  
Kontakte einseitig

**SVS** - SMD, verticall,  
single sided contacts

**Verpackung**

**Packing**

T - Stange  
R - Rolle

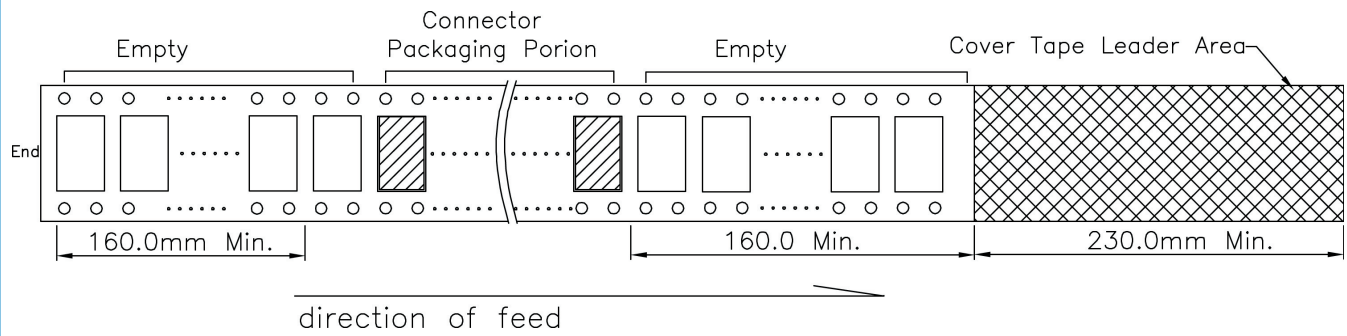
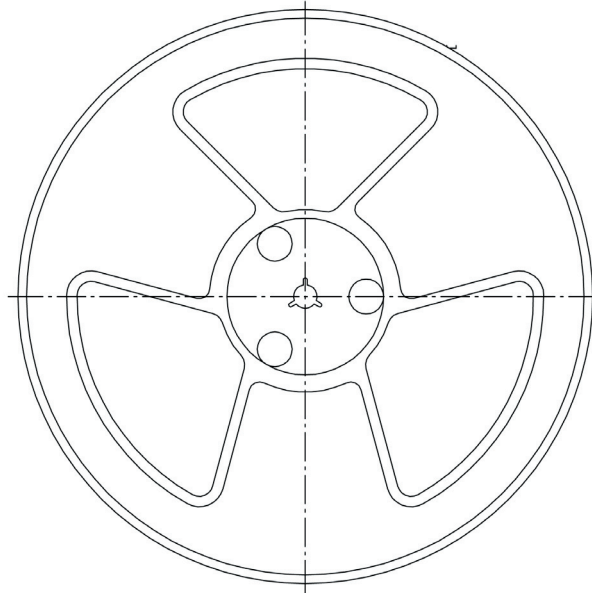
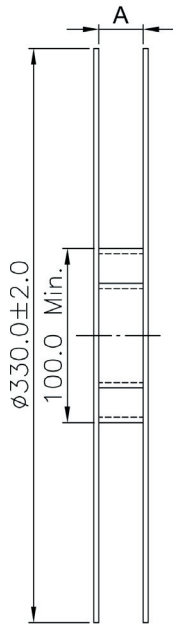
T - Tube  
R - Reel

**AFFC20** **xx** - **050** - **SVS** - **x**

Bitte „x“ durch die geeignete Option ersetzen  
Please replace „x“ with appropriate option

Verpackung entspricht  
EIA-481-C.

Packing correspond with  
EIA-481-C.



| No. of contacts | A     | Qty per Reel |
|-----------------|-------|--------------|
| 06 - 21         | 24.50 | 1000         |
| 22 - 31         | 32.50 | 1000         |
| 32 - 50         | 44.50 | 1000         |

Cable  
assemblies

D-Sub / Hoods  
Centronics

Multiflex -  
DIN41651

Modular

USB  
IEEE1394

Switches

Powercards  
Powernets

DIN41612  
Hardmetric

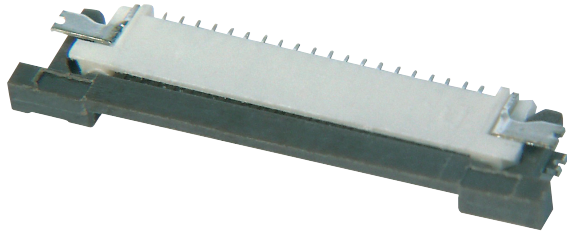
MiniDIN

Sockets / Strips  
Jumper

Terminal Blocks

Memory Card

FPC / FPC



**Isolierkörpermaterial**  
Nylon, UL94V-0

**Kontaktmaterial**  
Phosphorbronze

**Kontaktoberfläche**  
Ni, Sn

**Kontaktwiderstand**  
30mΩ max

**Isolationswiderstand**  
100MΩ min

**Strombelastbarkeit**  
0.4A

**Betriebstemperatur**  
-25°C - +85°C

**Betriebsspannung**  
50V AC

**Prüfspannung**  
250V AC

**Verpackung**  
Rollenverpackung oder Stangenverpackung

**Insulator material**  
Nylon, UL94V-0

**Contact material**  
Phosphor bronze

**Plating**  
Ni, Sn

**Contact resistance**  
30mΩ max

**Insulation resistance**  
100MΩ min

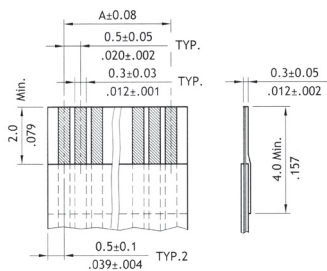
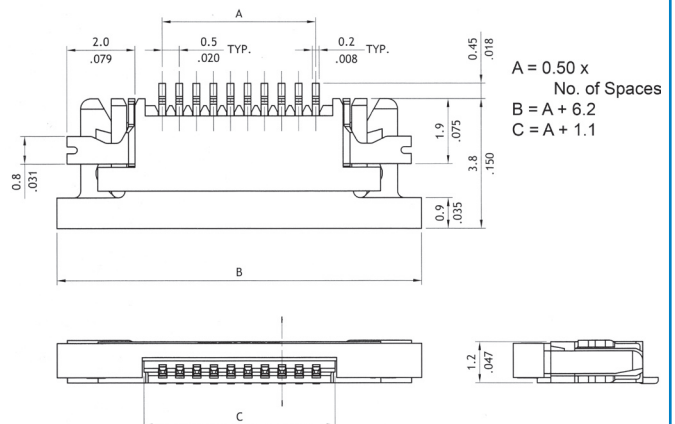
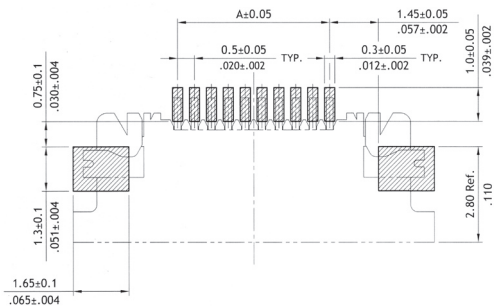
**Current rating**  
0.4A

**Operating temperature**  
-25°C - +85°C

**Operating voltage**  
50V AC

**Test voltage**  
250V AC

**Packing**  
Reel packing or Tube packing



Bestellcode / Ordercode

**Polzahlen**

**No. of contacts**

06 - 33

06 - 33

**Raster**

**Pitch**

050 - 0.50mm

050 - 0.50mm

SHB - SMD, horizontal,  
Kontakte untenliegend

SHB - SMD, horizontal,  
bottomside contacts

**Verpackung**

**Packing**

T - Stange  
R - Rolle

T - Tube  
R - Reel

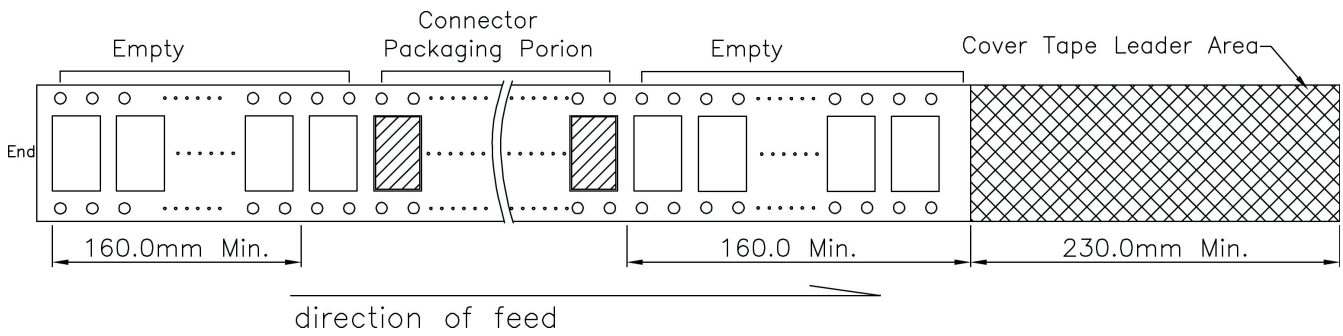
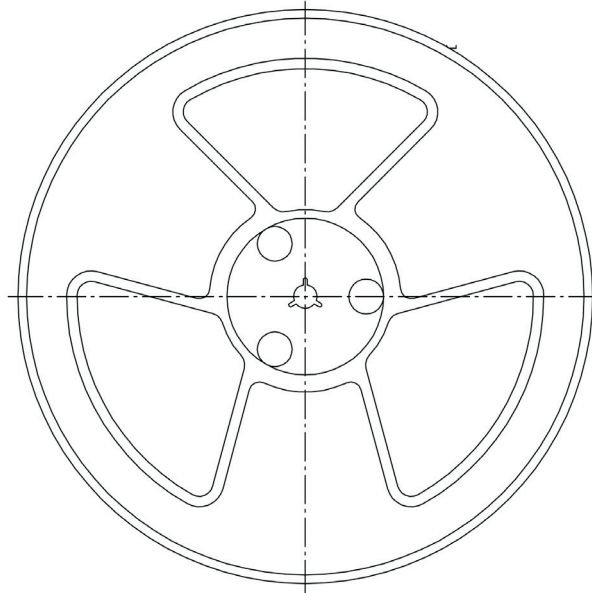
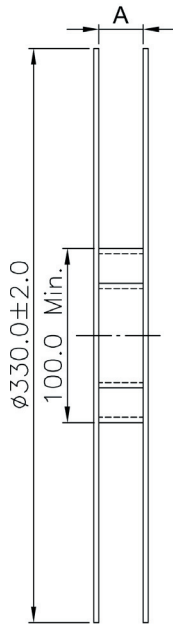
**AFFC23** **xx** - **050** - **SHB** - **x**

Bitte „x“ durch die geeignete Option ersetzen  
Please replace „x“ with appropriate option



Verpackung entspricht  
EIA-481-C.

Packing correspond with  
EIA-481-C.



| No. of contacts | A     | Qty per Reel |
|-----------------|-------|--------------|
| 06 - 07         | 16.50 | 4000         |
| 08 - 22         | 24.50 | 4000         |
| 23 - 28         | 32.50 | 4000         |
| 30              | 32.50 | 4000         |
| 32 - 33         | 32.50 | 4000         |

Cable  
assemblies

D-Sub / Hoods  
Centronics

Multiflex -  
DIN41651

Modular

USB  
IEEE1394

Switches

Powercards  
Powernlets

DIN41612  
Hardmetric

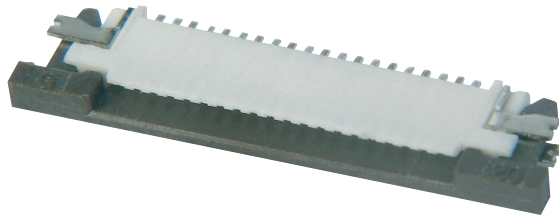
MiniDIN

Sockets / Strips  
Jumper

Terminal Blocks

Memory Card

FFC / FPC



**Isolierkörpermaterial**  
Nylon, UL94V-0

**Kontaktmaterial**  
Phosphorbronze

**Kontaktoberfläche**  
Ni, Sn

**Kontaktwiderstand**  
30mΩ max

**Isolationswiderstand**  
100MΩ min

**Strombelastbarkeit**  
0.4A

**Betriebstemperatur**  
-25°C - +85°C

**Betriebsspannung**  
50V AC

**Prüfspannung**  
250V AC

**Verpackung**  
Rollenverpackung oder  
Stangenverpackung

**Insulator material**  
Nylon, UL94V-0

**Contact material**  
Phosphor bronze

**Plating**  
Ni, Sn

**Contact resistance**  
30mΩ max

**Insulation resistance**  
100MΩ min

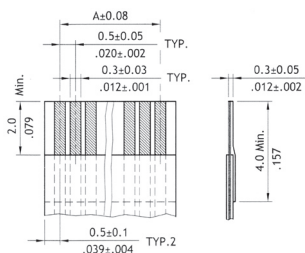
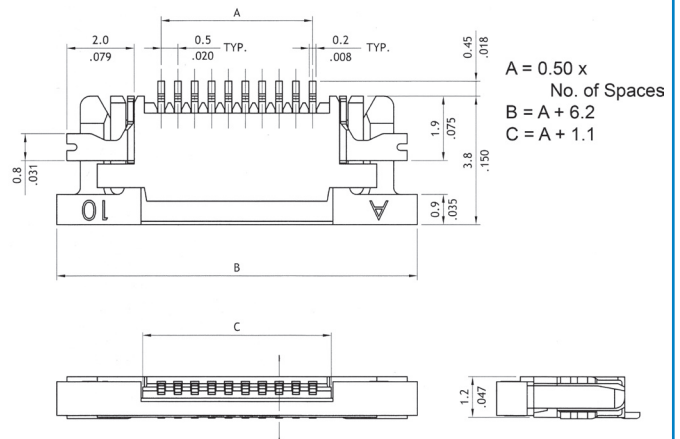
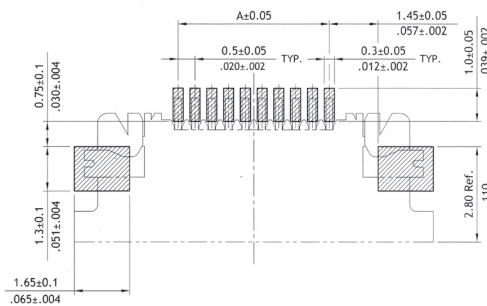
**Current rating**  
0.4A

**Operating temperature**  
-25°C - +85°C

**Operating voltage**  
50V AC

**Test voltage**  
250V AC

**Packing**  
Reel packing or  
Tube packing



Bestellcode / Ordercode

**Polzahlen**

06 - 33

**No. of contacts**

06 - 33

**Raster**

050 - 0.50mm

**Pitch**

050 - 0.50mm

**SHT** - SMD, horizontal,  
Kontakte obenliegend

**SHT** - SMD, horizontal,  
topside contacts

**Verpackung**

T - Stange  
R - Rolle

**Packing**

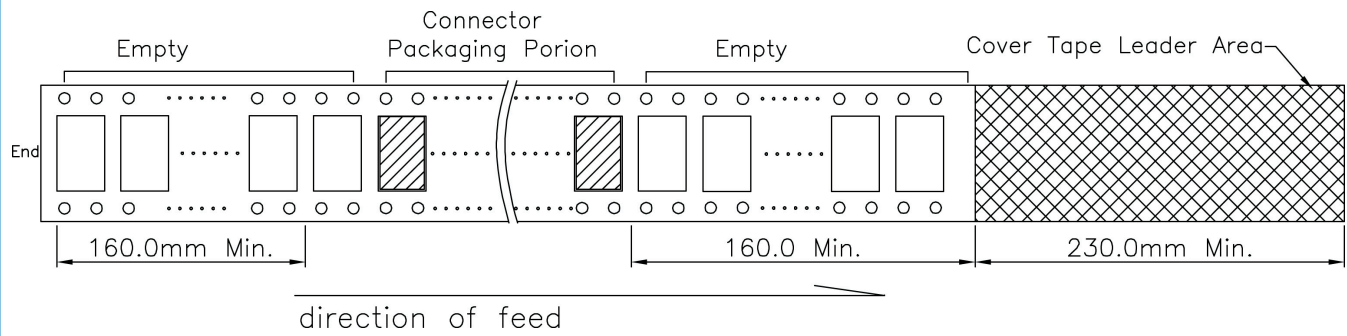
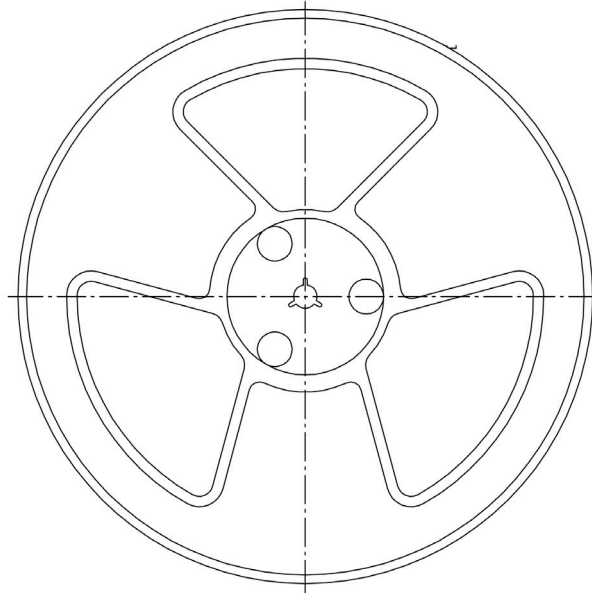
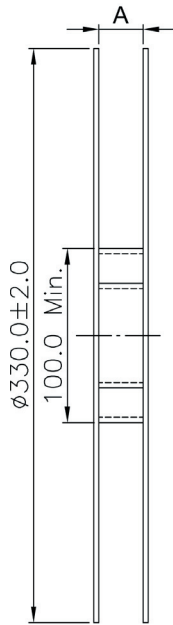
T - Tube  
R - Reel

**AFFC23** **xx** - **050** - **SHT** - **x**

Bitte „x“ durch die geeignete Option ersetzen  
Please replace „x“ with appropriate option

Verpackung entspricht  
EIA-481-C.

Packing correspond with  
EIA-481-C.



| No. of contacts | A     | Qty per Reel |
|-----------------|-------|--------------|
| 06 - 07         | 16.50 | 4000         |
| 08 - 22         | 24.50 | 4000         |
| 23 - 28         | 32.50 | 4000         |
| 30              | 32.50 | 4000         |
| 32 - 33         | 32.50 | 4000         |

Cable  
assemblies

D-Sub / Hoods  
Centronics

Multiflex -  
DIN41651

Modular

USB  
IEEE1394

Switches

Powercards  
Powerinlets

DIN41612  
Hardmetric

MiniDIN

Sockets / Strips  
Jumper

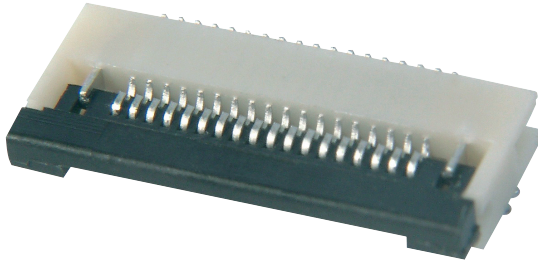
Terminal Blocks

Memory Card

FPC / FPC



One touch lock



**Isolierkörpermaterial**

Nylon, UL94V-0

**Kontaktmaterial**

Phosphorbronze

**Kontaktoberfläche**

Ni, Sn

**Kontaktwiderstand**

20mΩ max

**Isolationswiderstand**

500MΩ min

**Strombelastbarkeit**

1A

**Betriebstemperatur**

-25°C - +85°C

**Betriebsspannung**

100V AC

**Prüfspannung**

500V AC

**Verpackung**

Rollenverpackung oder Stangenverpackung

**Insulator material**

Nylon, UL94V-0

**Contact material**

Phosphor bronze

**Plating**

Ni, Sn

**Contact resistance**

20mΩ max

**Insulation resistance**

100MΩ min

**Current rating**

1A

**Operating temperature**

-25°C - +85°C

**Operating voltage**

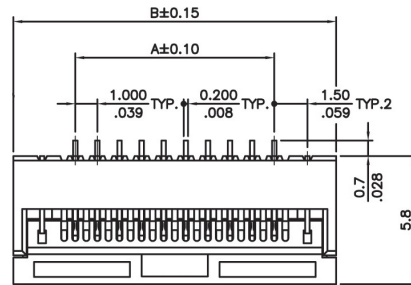
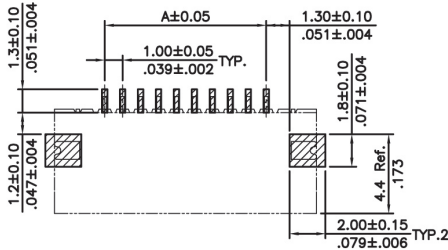
100V AC

**Test voltage**

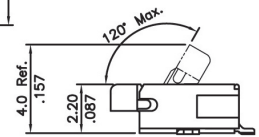
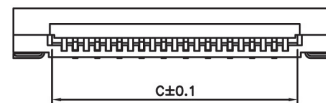
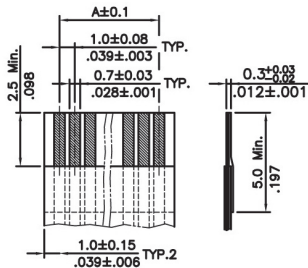
500V AC

**Packing**

Reel packing or Tube packing



A = 1.00 x  
No. of Spaces  
B = A + 5.6  
C = A + 1.1



Bestellcode / Ordercode

Polzahlen

04 - 32

No. of contacts

04 - 32

Raster

100 - 1.00mm

Pitch

100 - 1.00mm

SHB - SMD, horizontal,  
Kontakte untenliegend

SHB - SMD, horizontal,  
bottomside contacts

Verpackung

T - Stange  
R - Rolle

Packing

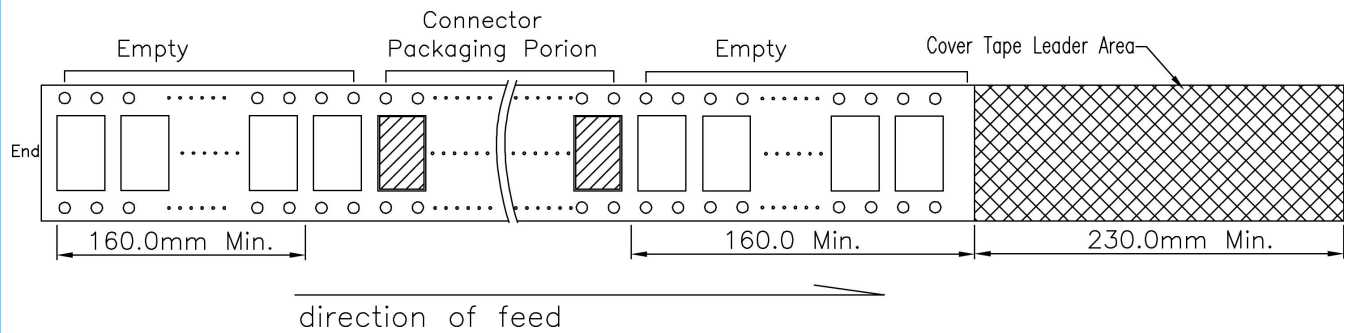
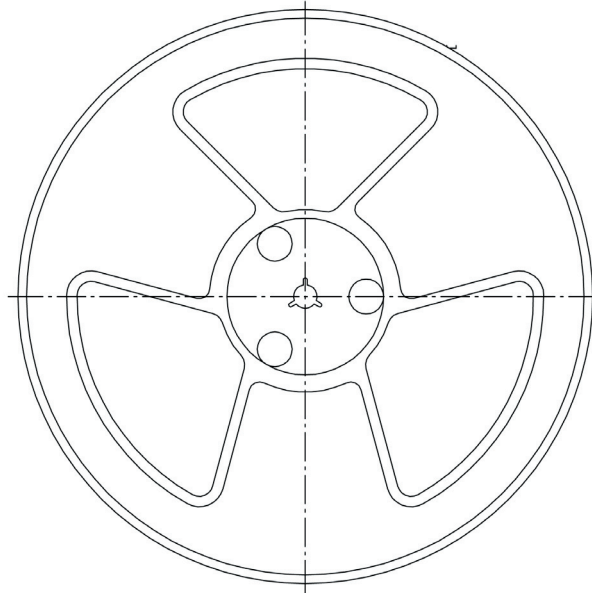
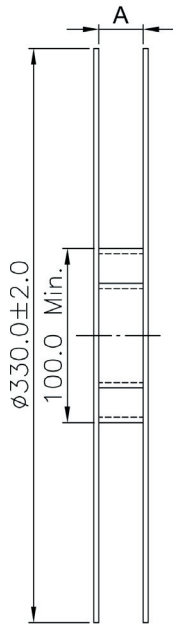
T - Tube  
R - Reel

**AFFC25** **xx** - **100** - **SHB** - **x**

Bitte „x“ durch die geeignete Option ersetzen  
Please replace „x“ with appropriate option

Verpackung entspricht  
EIA-481-C.

Packing correspond with  
EIA-481-C.



| No. of contacts | A    | Qty per Reel |
|-----------------|------|--------------|
| 04              | 16.5 | 2000         |
| 05 - 11         | 24.5 | 2000         |
| 12 - 18         | 32.5 | 2000         |
| 19 - 30         | 44.5 | 2000         |
| 31 - 32         | 56.5 | 2000         |

Cable assemblies

D-Sub / Hoods  
Centronics

Multiflex -  
DIN41651

Modular

USB  
IEEE1394

Switches

Powercards  
Powernets

DIN41612  
Hardmetric

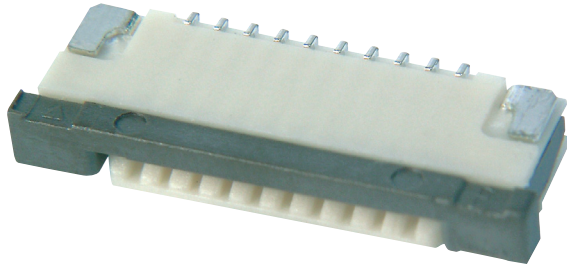
MiniDIN

Sockets / Strips  
Jumper

Terminal Blocks

Memory Card

FFC / FPC



**Isolierkörpermaterial**  
Nylon, UL94V-0

**Kontaktmaterial**  
Phosphorbronze

**Kontaktoberfläche**  
Ni, Sn

**Kontaktwiderstand**  
20mΩ max

**Isolationswiderstand**  
500MΩ min

**Strombelastbarkeit**  
1A

**Betriebstemperatur**  
-25°C - +85°C

**Betriebsspannung**  
100V AC

**Prüfspannung**  
500V AC

**Verpackung**  
Rollenverpackung oder Stangenverpackung

**Insulator material**  
Nylon, UL94V-0

**Contact material**  
Phosphor bronze

**Plating**  
Ni, Sn

**Contact resistance**  
20mΩ max

**Insulation resistance**  
100MΩ min

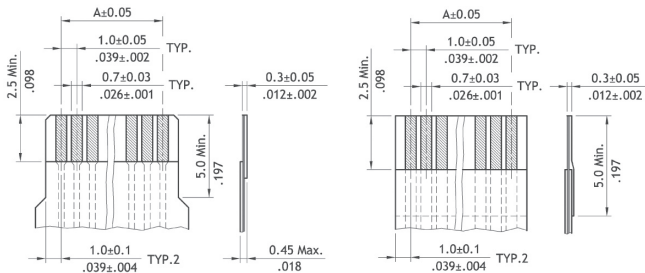
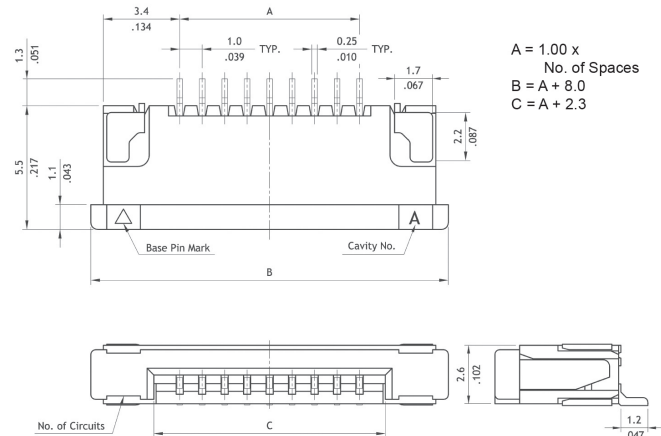
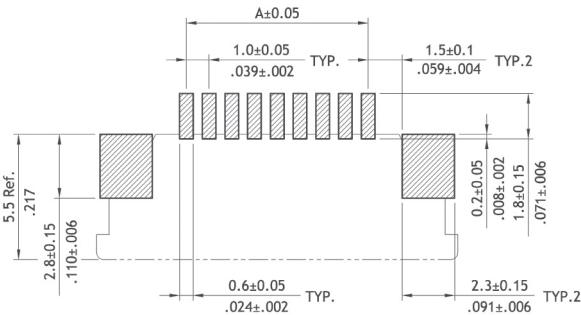
**Current rating**  
1A

**Operating temperature**  
-25°C - +85°C

**Operating voltage**  
100V AC

**Test voltage**  
500V AC

**Packing**  
Reel packing or Tube packing



Bestellcode / Ordercode

**Polzahlen**

**No. of contacts**

04 - 32

04 - 32

**Raster**

**Pitch**

100 - 1.00mm

100 - 1.00mm

SHB - SMD, horizontal,  
Kontakte untenliegend

SHB - SMD, horizontal,  
bottomside contacts

**Verpackung**

**Packing**

T - Stange  
R - Rolle

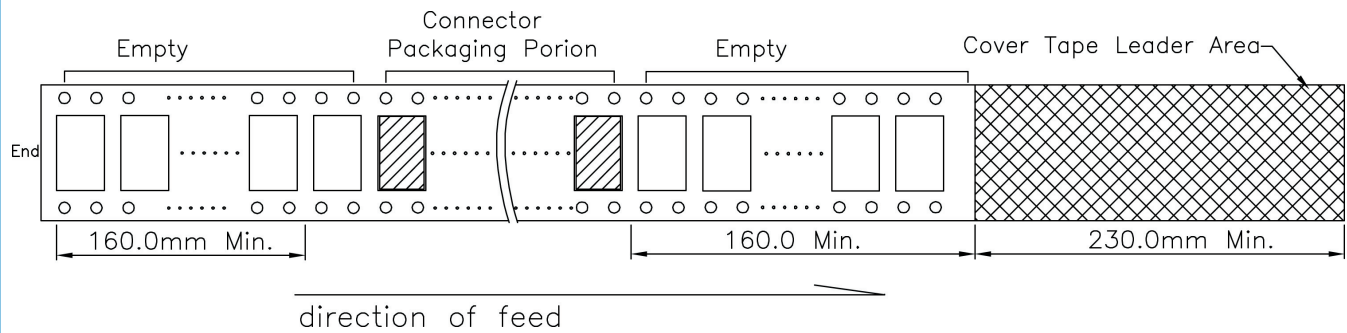
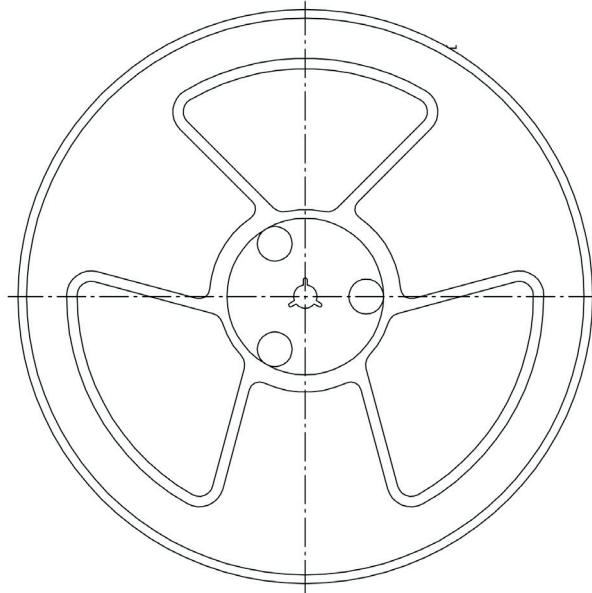
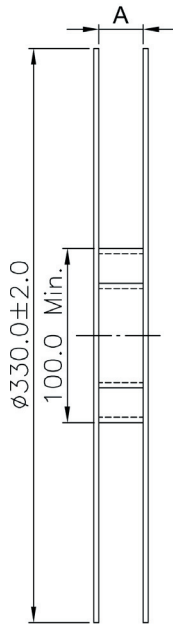
T - Tube  
R - Reel

**AFFC07** **xx** - **100** - **SHB** - **x**

Bitte „x“ durch die geeignete Option ersetzen  
Please replace „x“ with appropriate option

Verpackung entspricht  
EIA-481-C.

Packing correspond with  
EIA-481-C.



| No. of contacts | A     | Qty per Reel |
|-----------------|-------|--------------|
| 04 - 09         | 24.50 | 2000         |
| 10 - 14         | 32.50 | 2000         |
| 15 - 27         | 44.50 | 2000         |
| 28 - 32         | 56.50 | 2000         |

Cable assemblies

D-Sub / Hoods  
Centronics

Multiflex -  
DIN41651

Modular

USB  
IEEE1394

Switches

Powercards  
Powerinlets

DIN41612  
Hardmetric

MiniDIN

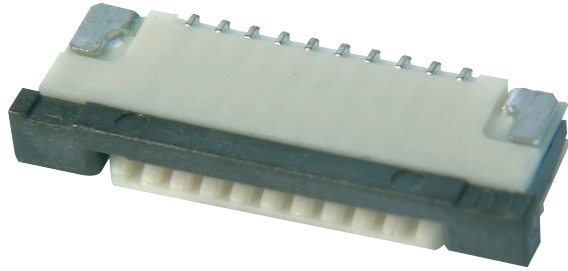
Sockets / Strips  
Jumper

Terminal Blocks

Memory Card

FFC / FPC





**Isolierkörpermaterial**  
Nylon, UL94V-0

**Kontaktmaterial**  
Phosphorbronze

**Kontaktoberfläche**  
Ni, Sn

**Kontaktwiderstand**  
20mΩ max

**Isolationswiderstand**  
500MΩ min

**Strombelastbarkeit**  
1A

**Betriebstemperatur**  
-25°C - +85°C

**Betriebsspannung**  
100V AC

**Prüfspannung**  
500V AC

**Verpackung**  
Rollenverpackung oder Stangenverpackung

**Insulator material**  
Nylon, UL94V-0

**Contact material**  
Phosphor bronze

**Plating**  
Ni, Sn

**Contact resistance**  
20mΩ max

**Insulation resistance**  
100MΩ min

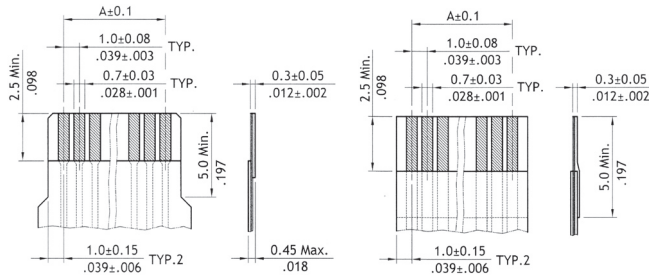
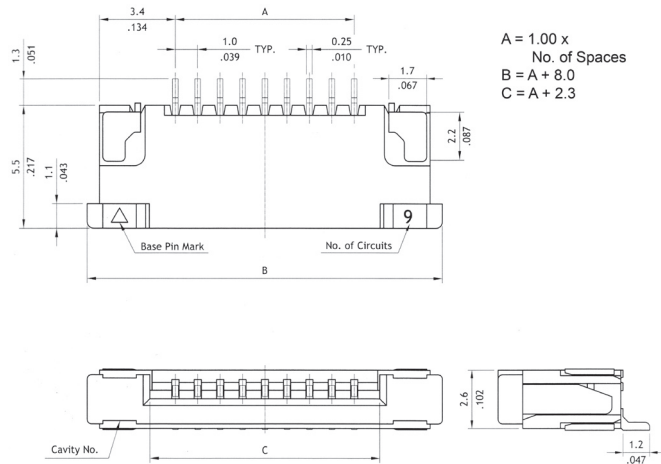
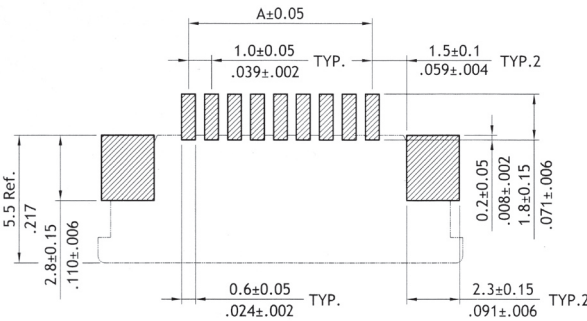
**Current rating**  
1A

**Operating temperature**  
-25°C - +85°C

**Operating voltage**  
100V AC

**Test voltage**  
500V AC

**Packing**  
Reel packing or Tube packing



Bestellcode / Ordercode

Polzahlen

No. of contacts

04 - 32

04 - 32

Raster

Pitch

100 - 1.00mm

100 - 1.00mm

SHT - SMD, horizontal,  
Kontakte obenliegend

SHT - SMD, horizontal,  
topside contacts

Verpackung

Packing

T - Stange  
R - Rolle

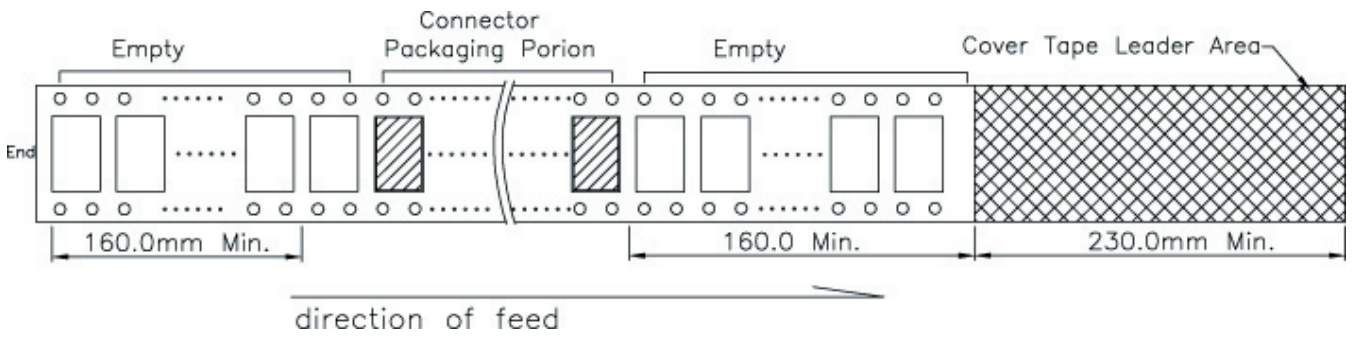
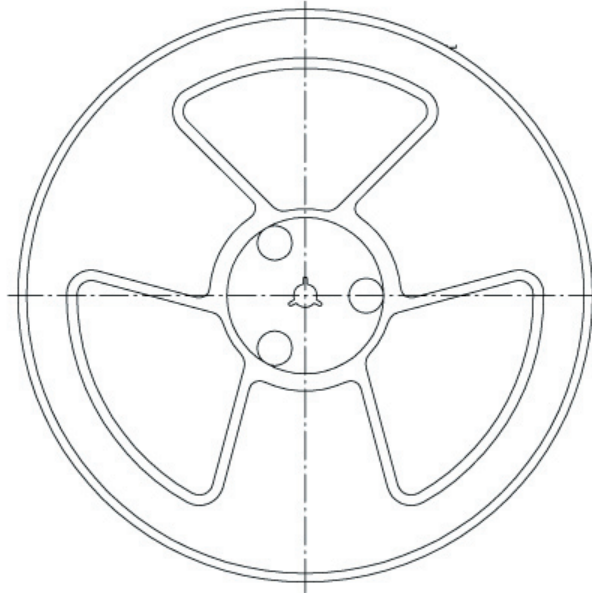
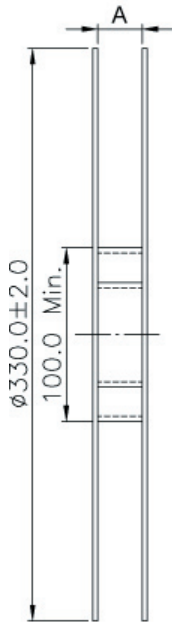
T - Tube  
R - Reel

**AFFC07** **xx** - **100** - **SHT** - **x**

Bitte „x“ durch die geeignete Option ersetzen  
Please replace „x“ with appropriate option

Verpackung entspricht  
EIA-481-C.

Packing correspond with  
EIA-481-C.



| No. of contacts | A     | Qty per Reel |
|-----------------|-------|--------------|
| 04 - 09         | 24.50 | 2000         |
| 10 - 14         | 32.50 | 2000         |
| 15 - 27         | 44.50 | 2000         |
| 28 - 32         | 56.50 | 2000         |

Cable  
assemblies

D-Sub / Hoods  
Centronics

Multiflex -  
DIN41651

Modular

USB  
IEEE1394

Switches

Powercards  
Powerinlets

DIN41612  
Hardmetric

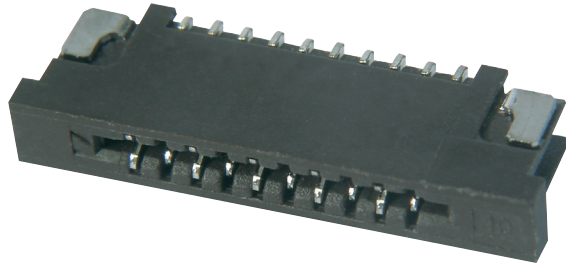
MiniDIN

Sockets / Strips  
Jumper

Terminal Blocks

Memory Card

FPC / FPC



**Isolierkörpermaterial**  
Nylon, UL94V-0

**Kontaktmaterial**  
Phosphorbronze

**Kontaktoberfläche**  
Ni, Sn

**Kontaktwiderstand**  
20mΩ max

**Isolationswiderstand**  
500MΩ min

**Strombelastbarkeit**  
1A

**Betriebstemperatur**  
-25°C - +85°C

**Betriebsspannung**  
100V AC

**Prüfspannung**  
500V AC

**Verpackung**  
Rollenverpackung oder  
Stangenverpackung

**Insulator material**  
Nylon, UL94V-0

**Contact material**  
Phosphor bronze

**Plating**  
Ni, Sn

**Contact resistance**  
20mΩ max

**Insulation resistance**  
100MΩ min

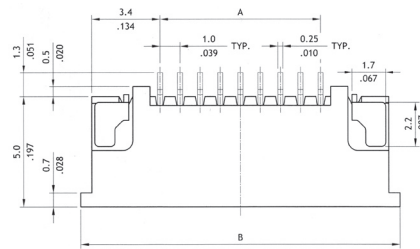
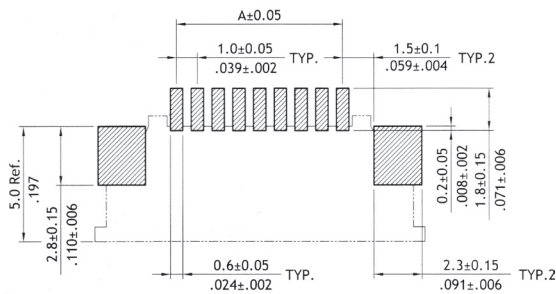
**Current rating**  
1A

**Operating temperature**  
-25°C - +85°C

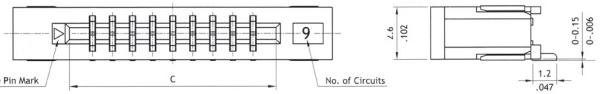
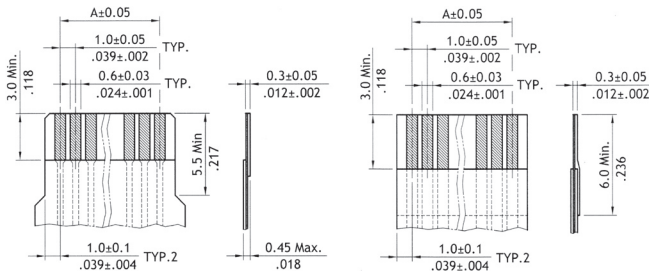
**Operating voltage**  
100V AC

**Test voltage**  
500V AC

**Packing**  
Reel packing or  
Tube packing



A = 1.00 x  
No. of Spaces  
B = A + 8.0  
C = A + 2.3



Bestellcode / Ordercode

**Polzahlen**

**No. of contacts**

04 - 32

04 - 32

**Raster**

**Pitch**

100 - 1.00mm

100 - 1.00mm

SHD - SMD, horizontal,  
Kontakte beidseitig

SHD - SMD, horizontal,  
double sided contacts

**Verpackung**

**Packing**

T - Stange

T - Tube

R - Rolle

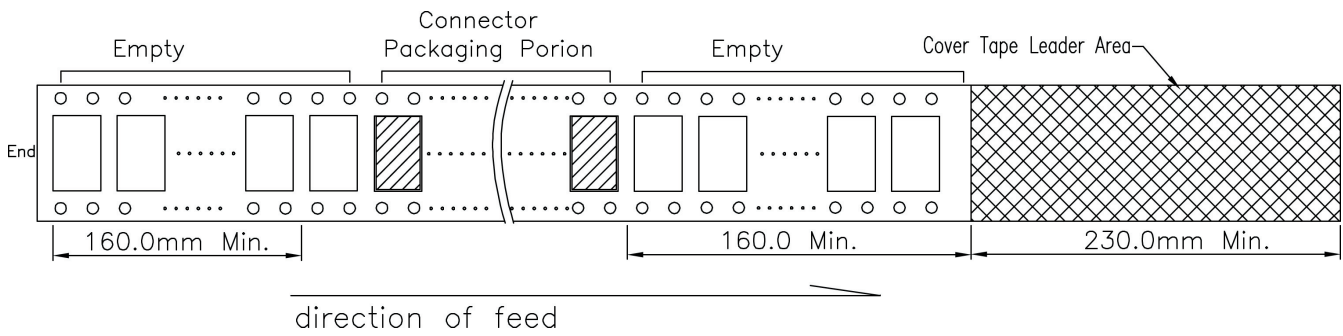
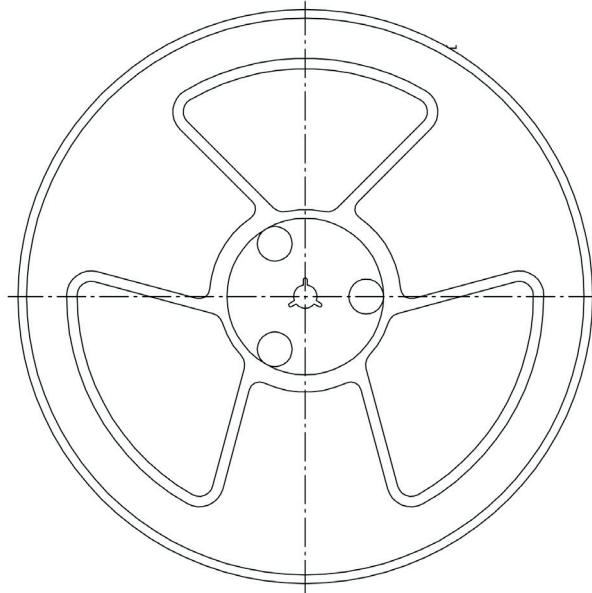
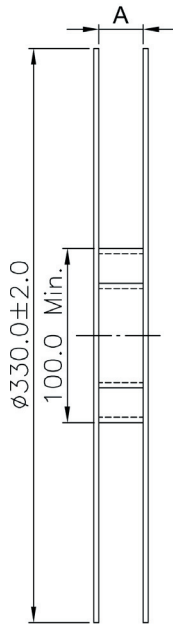
R - Reel

**AFFC08** **xx** - **100** - **SHD** - **x**

Bitte „x“ durch die geeignete Option ersetzen  
Please replace „x“ with appropriate option

Verpackung entspricht  
EIA-481-C.

Packing correspond with  
EIA-481-C.



| No. of contacts | A    | Qty per Reel |
|-----------------|------|--------------|
| 04 - 11         | 24.5 | 2000         |
| 12 - 15         | 32.5 | 2000         |
| 16 - 26         | 44.5 | 2000         |
| 27 - 32         | 56.5 | 2000         |

Cable  
assemblies

D-Sub / Hoods  
Centronics

Multiflex -  
DIN41651

Modular

USB  
IEEE1394

Switches

Powercards  
Powernets

DIN41612  
Hardmetric

MiniDIN

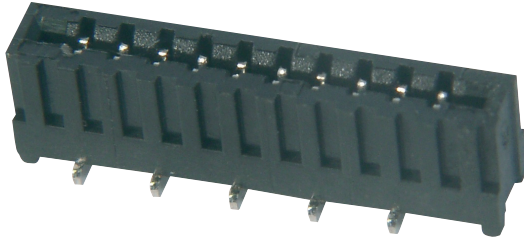
Sockets / Strips  
Jumper

Terminal Blocks

Memory Card

FPC / FPC





**Isolierkörpermaterial**  
Nylon, UL94V-0

**Kontaktmaterial**  
Phosphorbronze

**Kontaktoberfläche**  
Ni, Sn

**Kontaktwiderstand**  
20mΩ max

**Isolationswiderstand**  
500MΩ min

**Strombelastbarkeit**  
1A

**Betriebstemperatur**  
-25°C - +85°C

**Betriebsspannung**  
100V AC

**Prüfspannung**  
500V AC

**Verpackung**  
Rollenverpackung oder Stangenverpackung

**Insulator material**  
Nylon, UL94V-0

**Contact material**  
Phosphor bronze

**Plating**  
Ni, Sn

**Contact resistance**  
20mΩ max

**Insulation resistance**  
100MΩ min

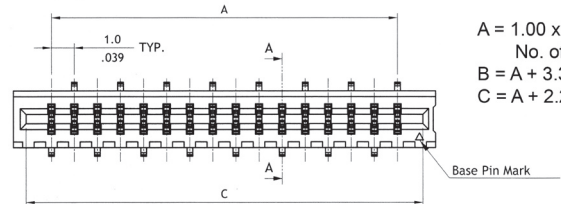
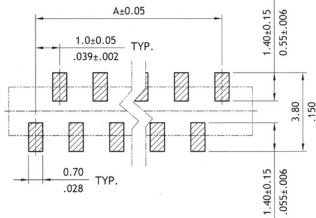
**Current rating**  
1A

**Operating temperature**  
-25°C - +85°C

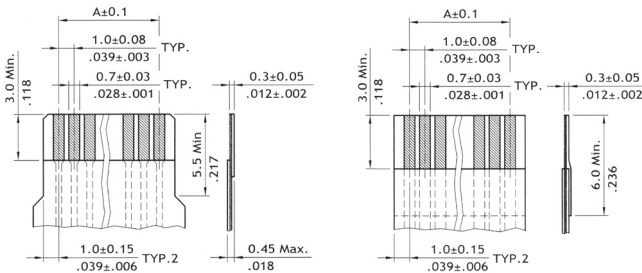
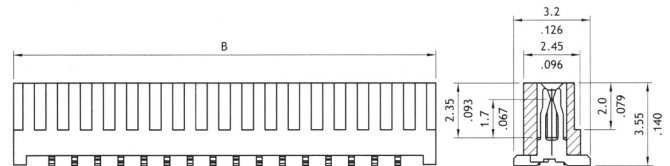
**Operating voltage**  
100V AC

**Test voltage**  
500V AC

**Packing**  
Reel packing or Tube packing



A = 1.00 x  
No. of Spaces  
B = A + 3.3  
C = A + 2.2



Bestellcode / Ordercode

**Polzahlen**

04 - 32

**No. of contacts**

04 - 32

**Raster**

100 - 1.00mm

**Pitch**

100 - 1.00mm

**SVD - SMD, vertikal,**

Kontakte beidseitig

**SVD - SMD, vertical,**

double sided contacts

**Verpackung**

T - Stange

R - Rolle

**Packing**

T - Tube

R - Reel

**AFFC08** **xx** - **100** - **SVD** - **x**

Bitte „x“ durch die geeignete Option ersetzen  
Please replace „x“ with appropriate option

Cable  
assemblies

D-Sub / Hoods  
Centronics

Multiflex -  
DIN41651

Modular

USB  
IEEE1394

Switches

Powercords  
Powerlets

DIN41612  
Hardmetric

MiniDIN

Sockets / Strips  
Jumper

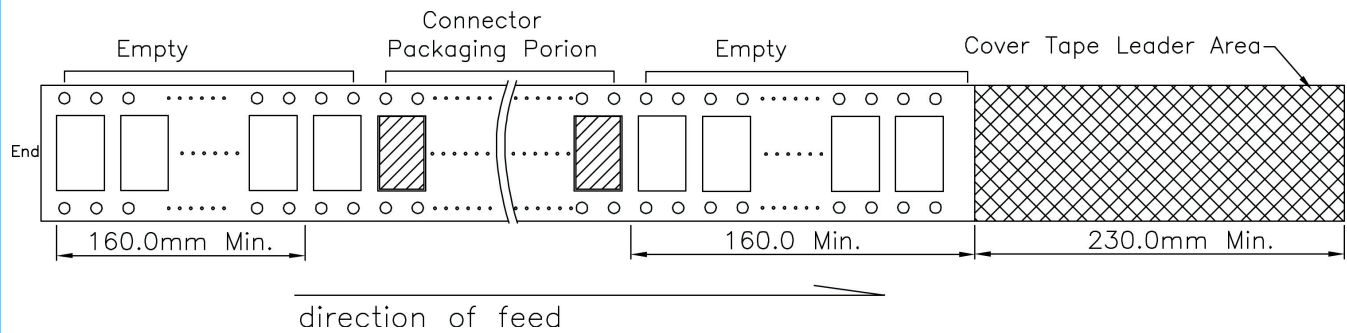
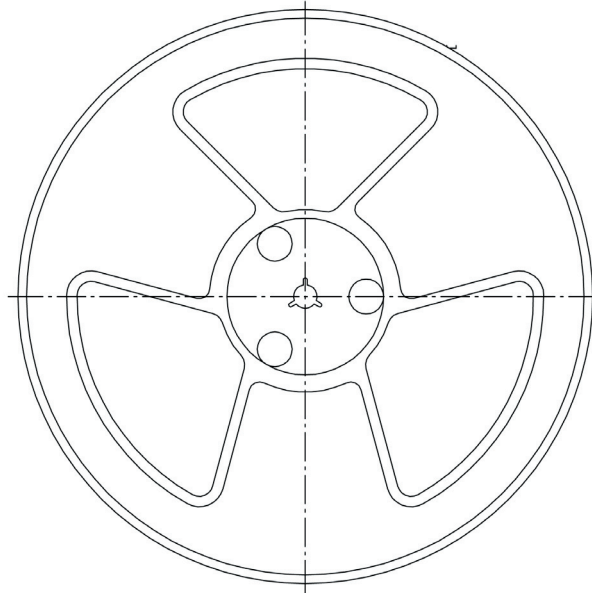
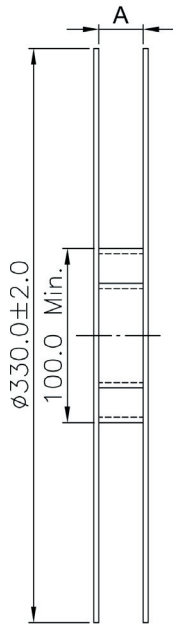
Terminal Blocks

Memory Card

FFC / FPC

Verpackung entspricht  
EIA-481-C.

Packing correspond with  
EIA-481-C.



| No. of contacts | A    | Qty per Reel |
|-----------------|------|--------------|
| 04 - 05         | 16.5 | 1500         |
| 06 - 12         | 24.5 | 1500         |
| 13 - 17         | 32.5 | 1500         |
| 18 - 29         | 44.5 | 1500         |
| 30 - 32         | 56.5 | 1500         |

Cable  
assemblies

D-Sub / Hoods  
Centronics

Multiflex -  
DIN41651

Modular

USB  
IEEE1394

Switches

Powercards  
Powernlets

DIN41612  
Hardmetric

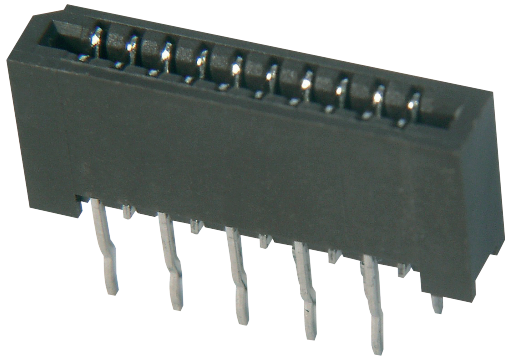
MiniDIN

Sockets / Strips  
Jumper

Terminal Blocks

Memory Card

FFC / FPC



**Isolierkörpermaterial**  
Nylon, UL94V-0

**Kontaktmaterial**  
Phosphorbronze

**Kontaktoberfläche**  
Ni, Sn

**Kontaktwiderstand**  
20mΩ max

**Isolationswiderstand**  
500MΩ min

**Strombelastbarkeit**  
1A

**Betriebstemperatur**  
-25°C - +85°C

**Betriebsspannung**  
100V AC

**Prüfspannung**  
500V AC

**Verpackung**  
Stangenverpackung

**Insulator material**  
Nylon, UL94V-0

**Contact material**  
Phosphor bronze

**Plating**  
Ni, Sn

**Contact resistance**  
20mΩ max

**Insulation resistance**  
100MΩ min

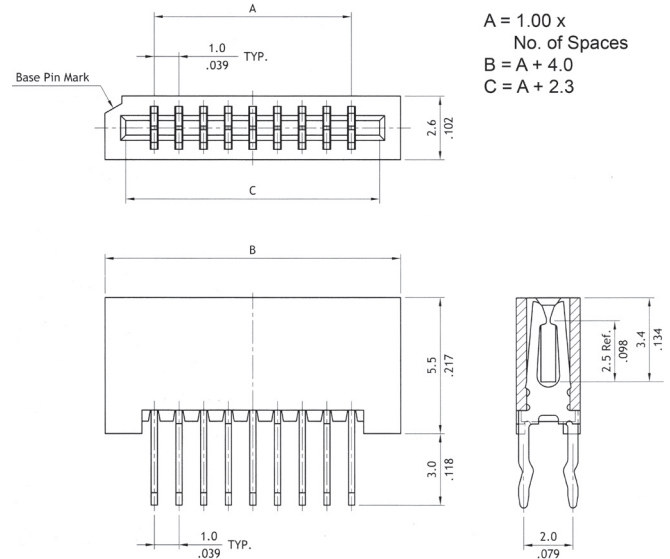
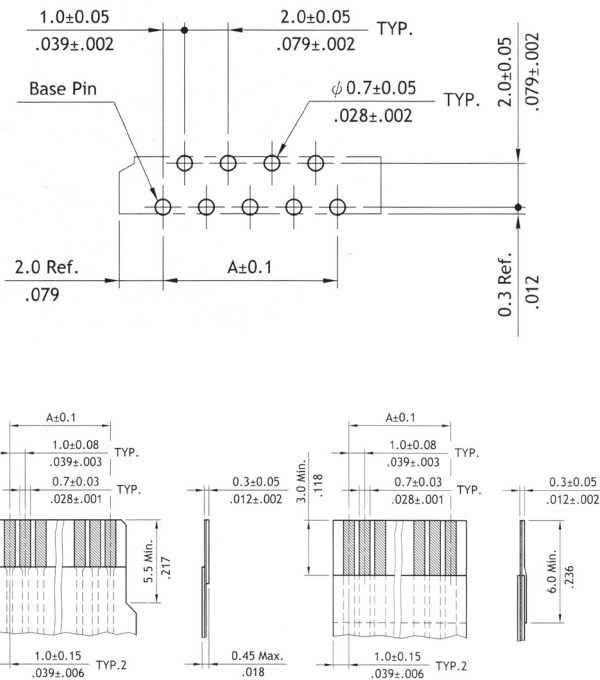
**Current rating**  
1A

**Operating temperature**  
-25°C - +85°C

**Operating voltage**  
100V AC

**Test voltage**  
500V AC

**Packing**  
Tube packing



Bestellcode / Ordercode

**Polzahlen**

**No. of contacts**

04 - 32

04 - 32

**Raster**

**Pitch**

100 - 1.00mm

100 -1.00mm

TVD - DIP, vertikal,  
Kontakte beidseitig

TVD - DIP, vertical,  
double sided contacts

**Verpackung**

**Packing**

T - Stange

T - Tube

**AFFC09** **xx** - **100** - **TVD** - **x**

Bitte „x“ durch die geeignete Option ersetzen  
 Please replace „x“ with appropriate option

**Isolierkörpermaterial**  
Nylon, UL94V-0

**Kontaktmaterial**  
Phosphorbronze

**Kontaktoberfläche**  
Ni, Sn

**Kontaktwiderstand**  
20mΩ max

**Isolationswiderstand**  
500MΩ min

**Strombelastbarkeit**  
1A

**Betriebstemperatur**  
-25°C - +85°C

**Betriebsspannung**  
100V AC

**Prüfspannung**  
500V AC

**Verpackung**  
Stangenverpackung

**Insulator material**  
Nylon, UL94V-0

**Contact material**  
Phosphor bronze

**Plating**  
Ni, Sn

**Contact resistance**  
20mΩ max

**Insulation resistance**  
100MΩ min

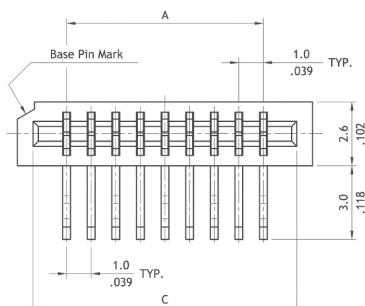
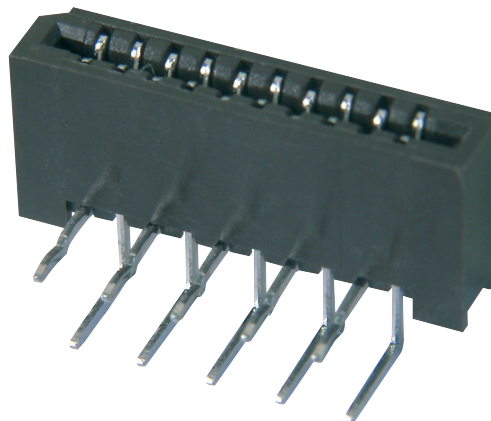
**Current rating**  
1A

**Operating temperature**  
-25°C - +85°C

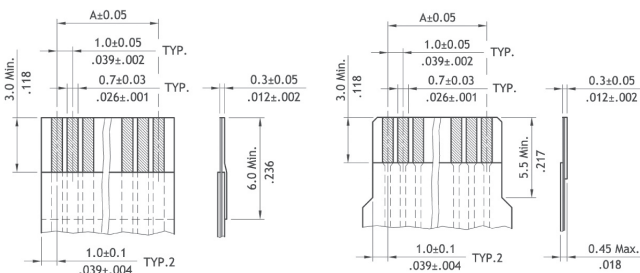
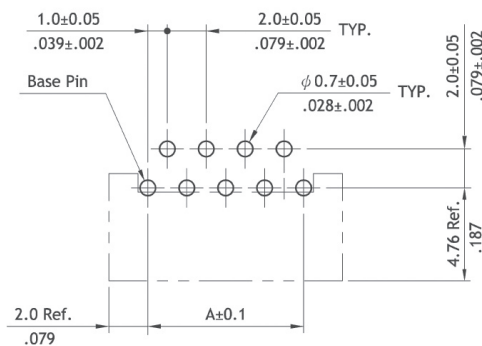
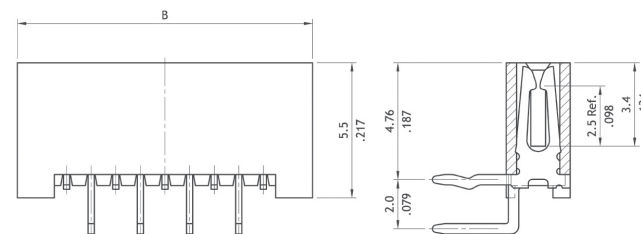
**Operating voltage**  
100V AC

**Test voltage**  
500V AC

**Packing**  
Tube packing



A = 1.00 x  
No. of Spaces  
 B = A + 4.0  
 C = A + 2.3



Bestellcode / Ordercode

**Polzahlen**  
04 - 32

**No. of contacts**  
04 - 32

**Raster**  
100 - 1.00mm

**Pitch**  
100 - 1.00mm

**TVD - DIP, horizontal,**  
Kontakte beidseitig

**TVD - DIP, horizontal,**  
double sided contacts

**Verpackung**  
T - Stange

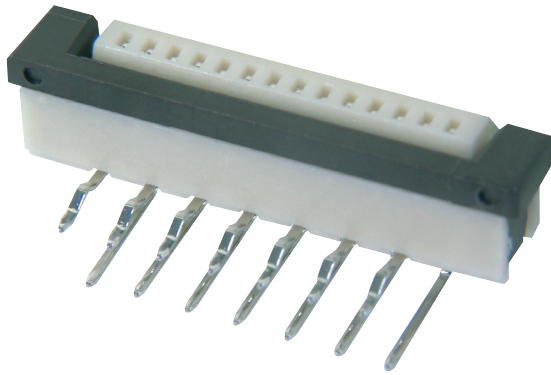
**Packing**  
T - Tube

**AFFC09** **xx** - **100** - **THD** - **x**

Bitte „x“ durch die geeignete Option ersetzen  
 Please replace „x“ with appropriate option

- Cable assemblies
- D-Sub / Hoods / Centronics
- Multiflex - DIN41651
- Modular
- USB IEEE1394
- Switches
- Powercards Powerinlets
- DIN41612 Hardmetric
- MiniDIN
- Terminal Blocks
- Memory Card
- Sockets / Strips Jumper
- FFC / FPC





**Isolierkörpermaterial**  
Nylon, UL94V-0

**Kontaktmaterial**  
Phosphorbronze

**Kontaktoberfläche**  
Ni, Sn

**Kontaktwiderstand**  
20mΩ max

**Isolationswiderstand**  
500MΩ min

**Strombelastbarkeit**  
1A

**Betriebstemperatur**  
-25°C - +85°C

**Betriebsspannung**  
100V AC

**Prüfspannung**  
500V AC

**Verpackung**  
Stangenverpackung

**Insulator material**  
Nylon, UL94V-0

**Contact material**  
Phosphor bronze

**Plating**  
Ni, Sn

**Contact resistance**  
20mΩ max

**Insulation resistance**  
100MΩ min

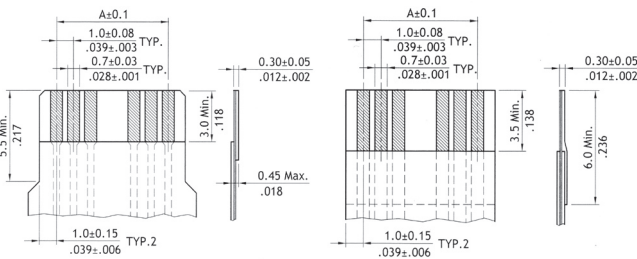
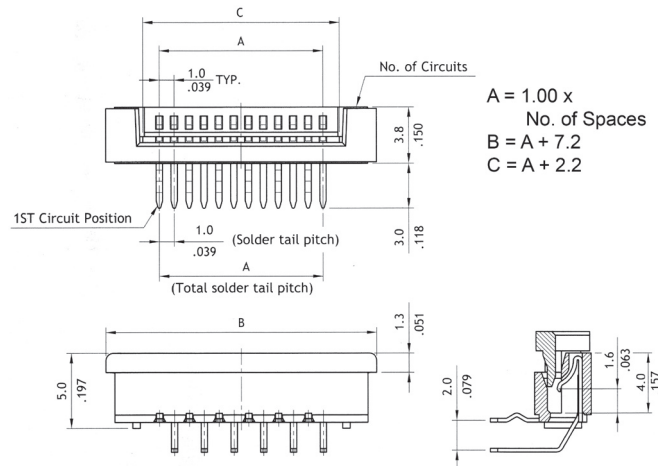
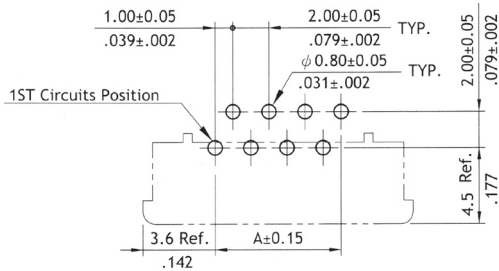
**Current rating**  
1A

**Operating temperature**  
-25°C - +85°C

**Operating voltage**  
100V AC

**Test voltage**  
500V AC

**Packing**  
Tube packing



Bestellcode / Ordercode

**Polzahlen**

**No. of contacts**

04 - 32

04 - 32

**Raster**

**Pitch**

100 - 1.00mm

100 - 1.00mm

**THT** - DIP, horizontal,  
Kontakte obenliegend

**THT** - DIP, horizontal,  
topside contacts

**Verpackung**  
T - Stange

**Packing**  
T - Tube

**AFFC10** **xx** - **100** - **THT** - **x**

Bitte „x“ durch die geeignete Option ersetzen  
Please replace „x“ with appropriate option

Cable  
assemblies

D-Sub / Hoods  
Centronics

Multiflex -  
DIN41651

Modular

USB  
IEEE1394

Switches

Powercords  
Powerlets

DIN41612  
Hardmetric

MiniDIN

Sockets / Strips  
Jumper

Terminal Blocks

Memory Card

FFC / FPC

**AFFC10**, Raster 1.00mm, ZIF, DIP, horizontal, Kontakte untenliegend  
**AFFC10**, pitch 1.00mm, ZIF, DIP, horizontal, bottomside contacts

**Isolierkörpermaterial**  
Nylon, UL94V-0

**Kontaktmaterial**  
Phosphorbronze

**Kontaktoberfläche**  
Ni, Sn

**Kontaktwiderstand**  
20mΩ max

**Isolationswiderstand**  
500MΩ min

**Strombelastbarkeit**  
1A

**Betriebstemperatur**  
-25°C - +85°C

**Betriebsspannung**  
100V AC

**Prüfspannung**  
500V AC

**Verpackung**  
Stangenverpackung

**Insulator material**  
Nylon, UL94V-0

**Contact material**  
Phosphor bronze

**Plating**  
Ni, Sn

**Contact resistance**  
20mΩ max

**Insulation resistance**  
100MΩ min

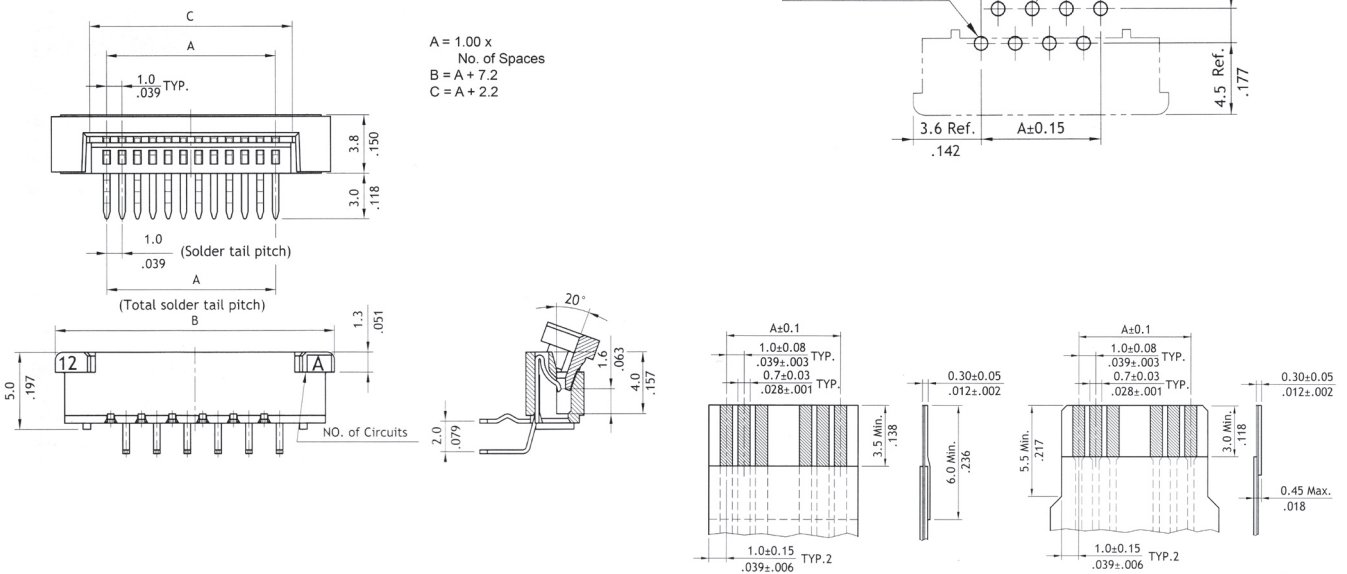
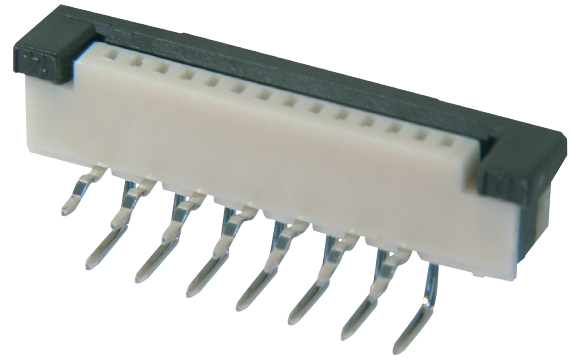
**Current rating**  
1A

**Operating temperature**  
-25°C - +85°C

**Operating voltage**  
100V AC

**Test voltage**  
500V AC

**Packing**  
Tube packing



Bestellcode / Ordercode

**Polzahlen**  
04 - 32

**No. of contacts**  
04 - 32

**Raster**  
100 - 1.00mm

**Pitch**  
100 - 1.00mm

**THB - DIP, horizontal,**  
Kontakte untenliegend

**THB - DIP, horizontal,**  
bottomside contacts

**Verpackung**  
T - Stange

**Packing**  
T - Tube

**AFFC10** **xx** - **100** - **THB** - **x**

Bitte „x“ durch die geeignete Option ersetzen  
 Please replace „x“ with appropriate option

Cable assemblies

D-Sub / Hoods  
Centronics

Multiflex -  
DIN41651

Modular

USB  
IEEE1394

Switches

Powercords  
Powernets

DIN41612  
Hardmetric

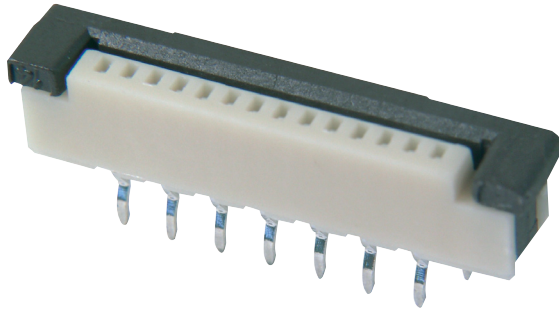
MiniDIN

Sockets / Strips  
Jumper

Terminal Blocks

Memory Card

FFC / FPC



**Isolierkörpermaterial**  
Nylon, UL94V-0

**Kontaktmaterial**  
Phosphorbronze

**Kontaktoberfläche**  
Ni, Sn

**Kontaktwiderstand**  
20mΩ max

**Isolationswiderstand**  
500MΩ min

**Strombelastbarkeit**  
1A

**Betriebstemperatur**  
-25°C - +85°C

**Betriebsspannung**  
100V AC

**Prüfspannung**  
500V AC

**Verpackung**  
Stangenverpackung

**Insulator material**  
Nylon, UL94V-0

**Contact material**  
Phosphor bronze

**Plating**  
Ni, Sn

**Contact resistance**  
20mΩ max

**Insulation resistance**  
100MΩ min

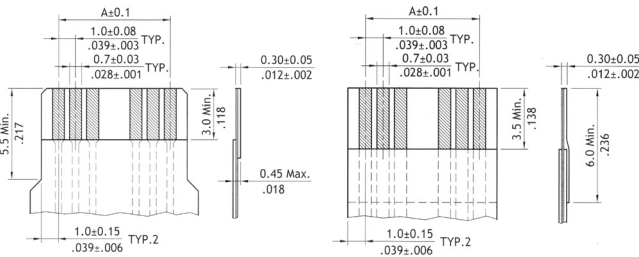
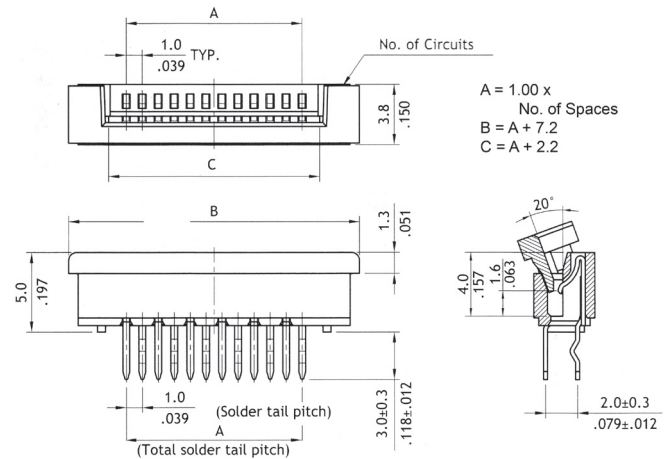
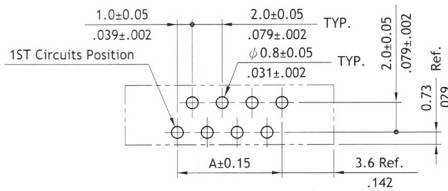
**Current rating**  
1A

**Operating temperature**  
-25°C - +85°C

**Operating voltage**  
100V AC

**Test voltage**  
500V AC

**Packing**  
Tube packing



Bestellcode / Ordercode

**Polzahlen**

**No. of contacts**

04 - 32

04 - 32

**Raster**

**Pitch**

100 - 1.00mm

100 - 1.00mm

**TVS** - DIP, vertikal,  
Kontakte einseitig

**TVS** - DIP, vertical,  
single sided contacts

**Verpackung**  
T - Stange

**Packing**  
T - Tube

**AFFC10** **xx** - **100** - **TVS** - **x**

Bitte „x“ durch die geeignete Option ersetzen  
Please replace „x“ with appropriate option

Cable  
assemblies

D-Sub / Hoods  
Centronics

Multiflex -  
DIN41651

Modular

USB  
IEEE1394

Switches

Powercords  
Powerlets

DIN41612  
Hardmetric

MiniDIN

Sockets / Strips  
Jumper

Terminal Blocks

Memory Card

FFC / FPC

**Isolierkörpermaterial**

Nylon, UL94V-0

**Kontaktmaterial**

Phosphorbronze

**Kontaktoberfläche**

Ni, Sn

**Kontaktwiderstand**

20mΩ max

**Isolationswiderstand**

500MΩ min

**Strombelastbarkeit**

1A

**Betriebstemperatur**

-25°C - +85°C

**Betriebsspannung**

100V AC

**Prüfspannung**

500V AC

**Verpackung**

Rollenverpackung oder  
Stangenverpackung

**Insulator material**

Nylon, UL94V-0

**Contact material**

Phosphor bronze

**Plating**

Ni, Sn

**Contact resistance**

20mΩ max

**Insulation resistance**

100MΩ min

**Current rating**

1A

**Operating temperature**

-25°C - +85°C

**Operating voltage**

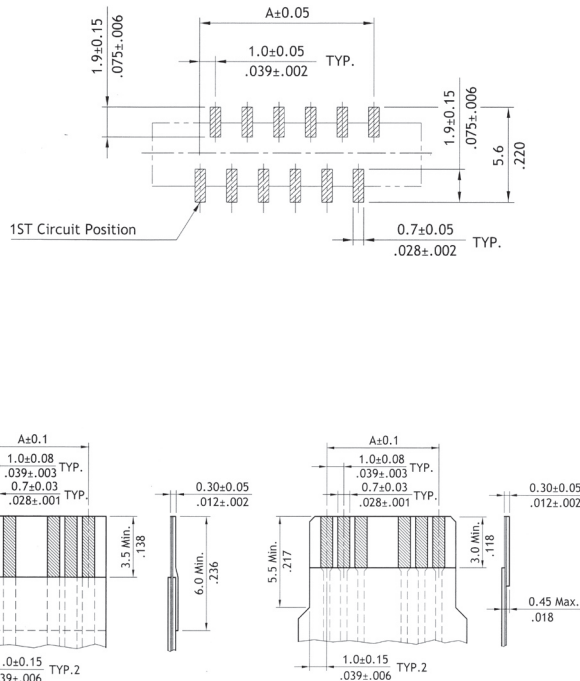
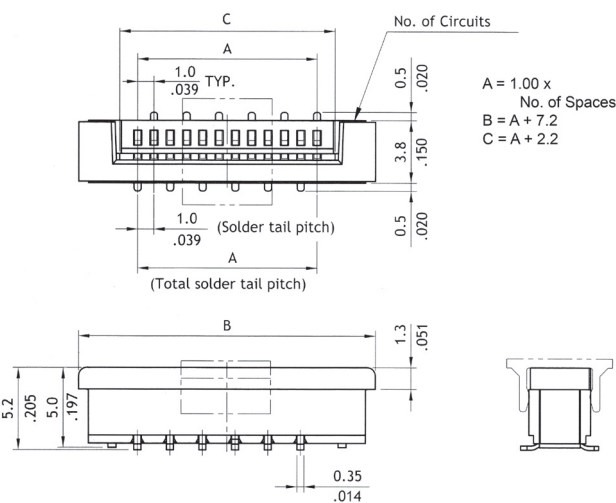
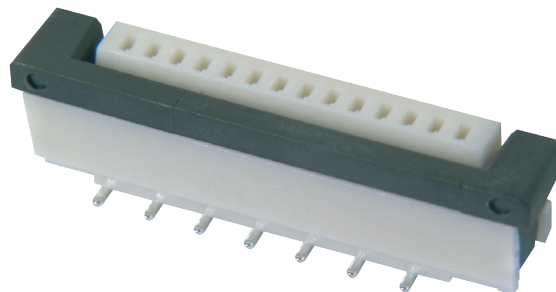
100V AC

**Test voltage**

500V AC

**Packing**

Reel packing or  
Tube packing



**Bestellcode / Ordercode**

**Polzahlen**

04 - 32

**Raster**

100 - 1.00mm

SVS - SMD, vertikal,  
Kontakte einseitig

**Verpackung**

T - Stange  
R - Rolle

**No. of contacts**

04 - 32

**Pitch**

100 - 1.00mm

SVS - SMD, vertical,  
single sided contacts

**Packing**

T - Tube  
R - Reel

**AFFC10** **xx** - **100** - **SVS** - **x**

Bitte „x“ durch die geeignete Option ersetzen  
Please replace „x“ with appropriate option

Cable assemblies

D-Sub / Hoods  
Centronics

Multiflex -  
DIN41651

Modular

USB  
IEEE1394

Switches

Powercards  
Powernets

DIN41612  
Hardmetric

MiniDIN

Sockets / Strips  
Jumper

Terminal Blocks

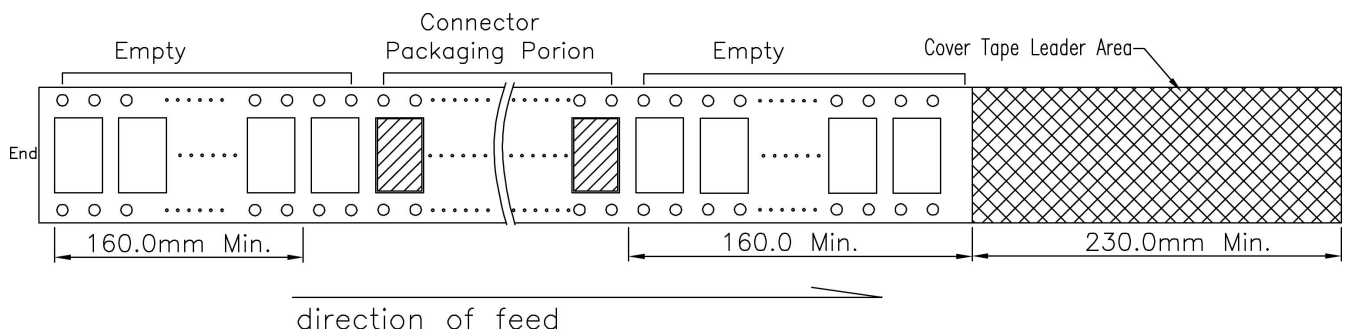
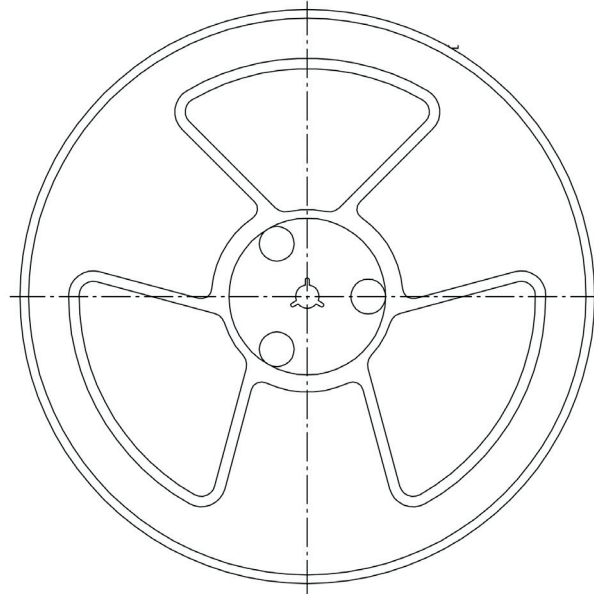
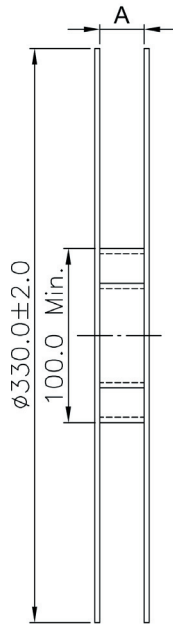
Memory Card

FFC / FPC



Verpackung entspricht  
EIA-481-C.

Packing correspond with  
EIA-481-C.



| No. of contacts | A     | Qty per Reel |
|-----------------|-------|--------------|
| 04 - 10         | 24.50 | 800          |
| 11 - 15         | 32.50 | 800          |
| 16 - 26         | 44.50 | 800          |
| 27 - 32         | 56.50 | 800          |

Cable  
assemblies

D-Sub / Hoods  
Centronics

Multiflex -  
DIN41651

Modular

USB  
IEEE1394

Switches

Powercords  
Powerlets

DIN41612  
Hardmetric

MiniDIN

Sockets / Strips  
Jumper

Terminal Blocks

Memory Card

FFC / FPC



**Isolierkörpermaterial**  
Nylon, UL94V-0

**Kontaktmaterial**  
Phosphorbronze

**Kontaktfläche**  
Ni, Sn

**Kontaktwiderstand**  
20mΩ max

**Isolationswiderstand**  
500MΩ min

**Strombelastbarkeit**  
1A

**Betriebstemperatur**  
-25°C - +85°C

**Betriebsspannung**  
100V AC

**Prüfspannung**  
500V AC

**Verpackung**  
Stangenverpackung

**Insulator material**  
Nylon, UL94V-0

**Contact material**  
Phosphor bronze

**Plating**  
Ni, Sn

**Contact resistance**  
20mΩ max

**Insulation resistance**  
100MΩ min

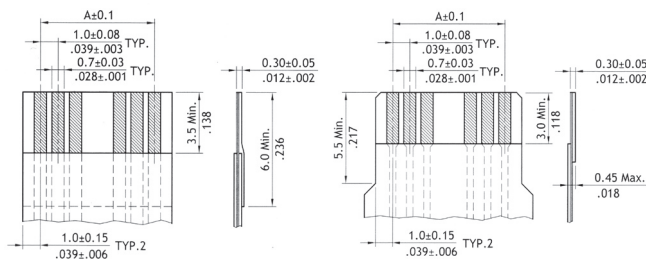
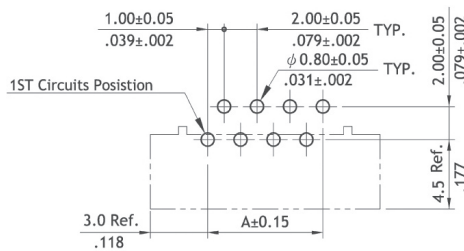
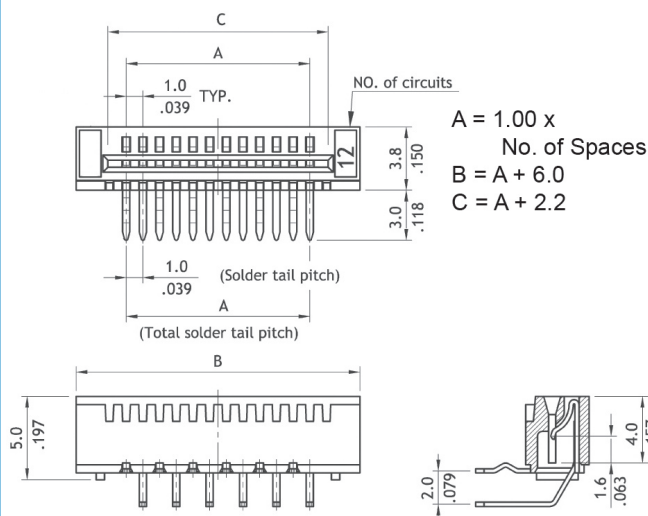
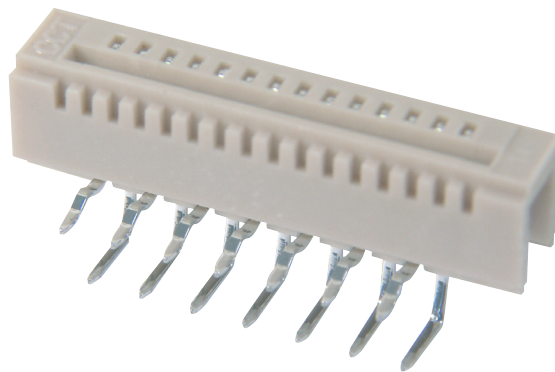
**Current rating**  
1A

**Operating temperature**  
-25°C - +85°C

**Operating voltage**  
100V AC

**Test voltage**  
500V AC

**Packing**  
Tube packing



Bestellcode / Ordercode

Polzahlen

No. of contacts

04 - 32

04 - 32

Raster

Pitch

100 - 1.00mm

100 -1.00mm

THT - DIP, horizontal,  
Kontakte obenliegend

THT - DIP, horizontal,  
topside contacts

Verpackung

Packing

T - Stange

T - Tube

**AFFC16** **xx** - **100** - **THT** - **x**

Bitte „x“ durch die geeignete Option ersetzen  
 Please replace „x“ with appropriate option

Cable assemblies

D-Sub / Hoods  
Centronics

Multiflex -  
DIN41651

Modular

USB  
IEEE1394

Switches

Powercords  
Powernets

DIN41612  
Hardmetric

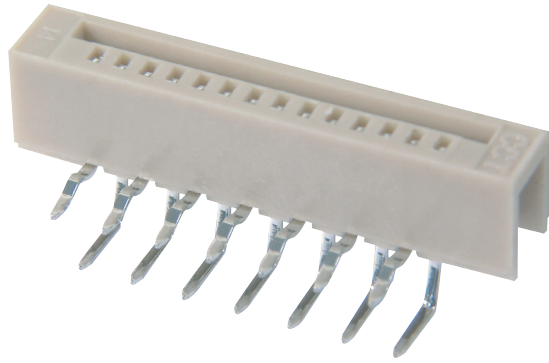
MiniDIN

Sockets / Strips  
Jumper

Terminal Blocks

Memory Card

FFC / FPC



**Isolierkörpermaterial**  
Nylon, UL94V-0

**Kontaktmaterial**  
Phosphorbronze

**Kontaktoberfläche**  
Ni, Sn

**Kontaktwiderstand**  
20mΩ max

**Isolationswiderstand**  
500MΩ min

**Strombelastbarkeit**  
1A

**Betriebstemperatur**  
-25°C - +85°C

**Betriebsspannung**  
100V AC

**Prüfspannung**  
500V AC

**Verpackung**  
Stangenverpackung

**Insulator material**  
Nylon, UL94V-0

**Contact material**  
Phosphor bronze

**Plating**  
Ni, Sn

**Contact resistance**  
20mΩ max

**Insulation resistance**  
100MΩ min

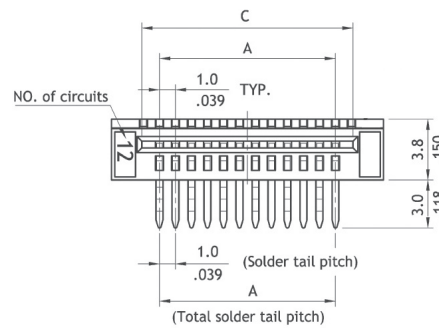
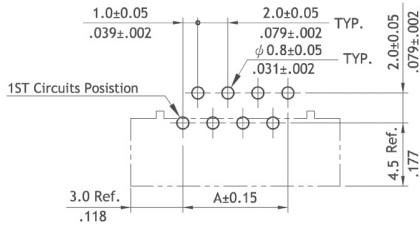
**Current rating**  
1A

**Operating temperature**  
-25°C - +85°C

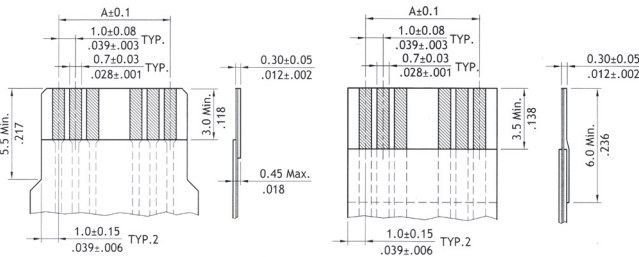
**Operating voltage**  
100V AC

**Test voltage**  
500V AC

**Packing**  
Tube packing



A = 1.00 x  
No. of Spaces  
B = A + 6.0  
C = A + 2.2



Bestellcode / Ordercode

**Polzahlen**

**No. of contacts**

04 - 32

04 - 32

**Raster**

**Pitch**

100 - 1.00mm

100 -1.00mm

THB - DIP, horizontal,  
Kontakte untenliegens

THB - DIP, horizontal,  
bottomside contacts

**Verpackung**

**Packing**

T - Stange

T - Tube

**AFFC16** **xx** - **100** - **THB** - **x**

Bitte „x“ durch die geeignete Option ersetzen  
Please replace „x“ with appropriate option

**Isolierkörpermaterial**  
Nylon, UL94V-0

**Kontaktmaterial**  
Phosphorbronze

**Kontaktoberfläche**  
Ni, Sn

**Kontaktwiderstand**  
20mΩ max

**Isolationswiderstand**  
500MΩ min

**Strombelastbarkeit**  
1A

**Betriebstemperatur**  
-25°C - +85°C

**Betriebsspannung**  
100V AC

**Prüfspannung**  
500V AC

**Verpackung**  
Stangenverpackung

**Insulator material**  
Nylon, UL94V-0

**Contact material**  
Phosphor bronze

**Plating**  
Ni, Sn

**Contact resistance**  
20mΩ max

**Insulation resistance**  
100MΩ min

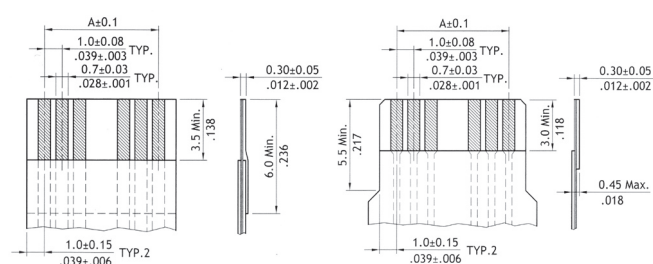
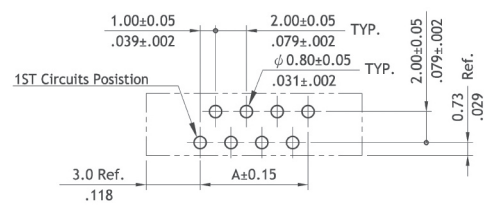
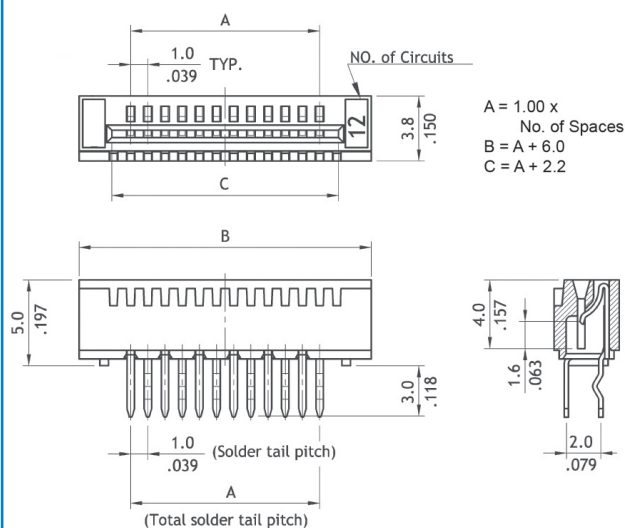
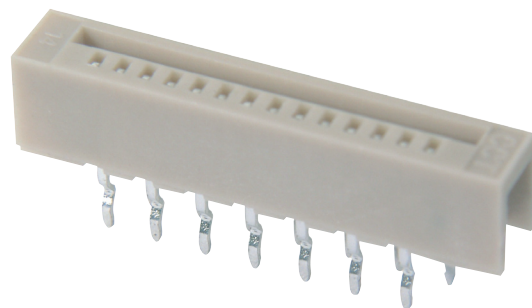
**Current rating**  
1A

**Operating temperature**  
-25°C - +85°C

**Operating voltage**  
100V AC

**Test voltage**  
500V AC

**Packing**  
Tube packing



Bestellcode / Ordercode

**Polzahlen**  
06 - 33

**No. of contacts**  
03 - 33

**Raster**  
100 - 1.00mm

**Pitch**  
100 - 1.00mm

**TVS** - DIP, vertikal,  
Kontakte einseitig

**TVS** - DIP, vertical,  
single sided contacts

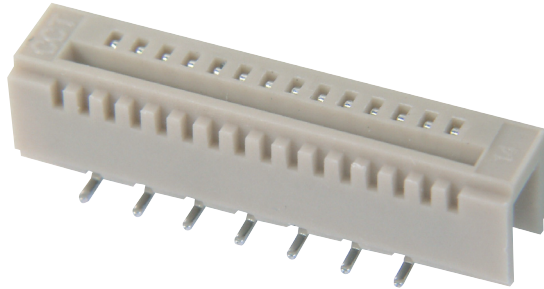
**Verpackung**  
T - Stange

**Packing**  
T - Tube

**AFFC16** **xx** - **100** - **TVS** - **x**

Bitte „x“ durch die geeignete Option ersetzen  
 Please replace „x“ with appropriate option

- Cable assemblies
- D-Sub / Hoods Centronics
- Multiflex - DIN41651
- Modular
- USB IEEE1394
- Switches
- Powercards Powerinlets
- DIN41612 Hardmetric
- MiniDIN
- Terminal Blocks
- Memory Card
- Sockets / Strips Jumper
- FPC / FPC



**Isolierkörpermaterial**  
Nylon, UL94V-0

**Kontaktmaterial**  
Phosphorbronze

**Kontaktoberfläche**  
Ni, Sn

**Kontaktwiderstand**  
20mΩ max

**Isolationswiderstand**  
500MΩ min

**Strombelastbarkeit**  
1A

**Betriebstemperatur**  
-25°C - +85°C

**Betriebsspannung**  
100V AC

**Prüfspannung**  
500V AC

**Verpackung**  
Rollenverpackung oder Stangenverpackung

**Insulator material**  
Nylon, UL94V-0

**Contact material**  
Phosphor bronze

**Plating**  
Ni, Sn

**Contact resistance**  
20mΩ max

**Insulation resistance**  
100MΩ min

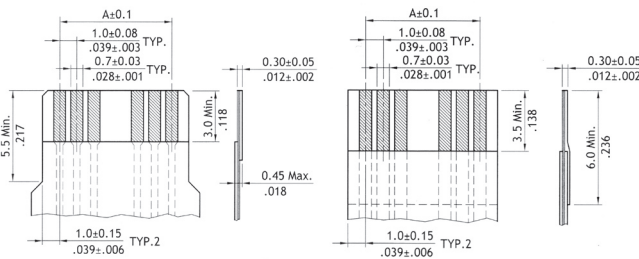
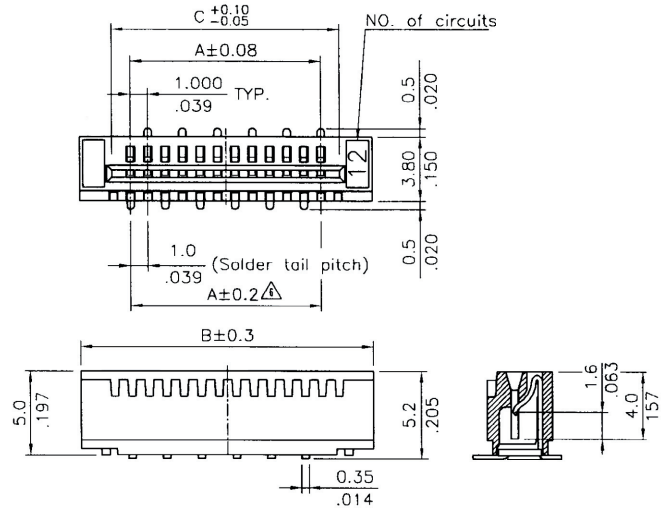
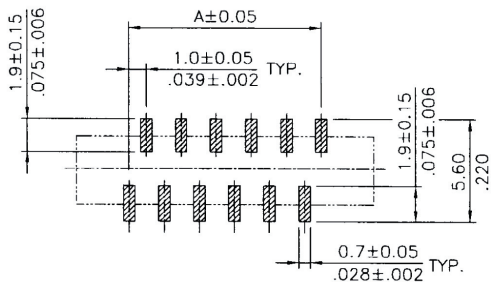
**Current rating**  
1A

**Operating temperature**  
-25°C - +85°C

**Operating voltage**  
100V AC

**Test voltage**  
500V AC

**Packing**  
Reel packing or Tube packing



Bestellcode / Ordercode

**Polzahlen**

**No. of contacts**

04 - 32

04 - 32

**Raster**

**Pitch**

100 - 1.00mm

100 - 1.00mm

SVS - SMD, vertikal,  
Kontakte einseitig

SVS - SMD, vertical,  
single sided contacts

**Verpackung**

**Packing**

T - Stange  
R - Rolle

T - Tube  
R - Reel

**AFFC16** **xx** - **100** - **SVS** - **x**

Bitte „x“ durch die geeignete Option ersetzen  
Please replace „x“ with appropriate option

Cable assemblies

D-Sub / Hoods Centronics

Multiflex - DIN41651

Modular

USB IEEE1394

Switches

Powercords Powerlets

DIN41612 Hardmetric

MiniDIN

Sockets / Strips Jumper

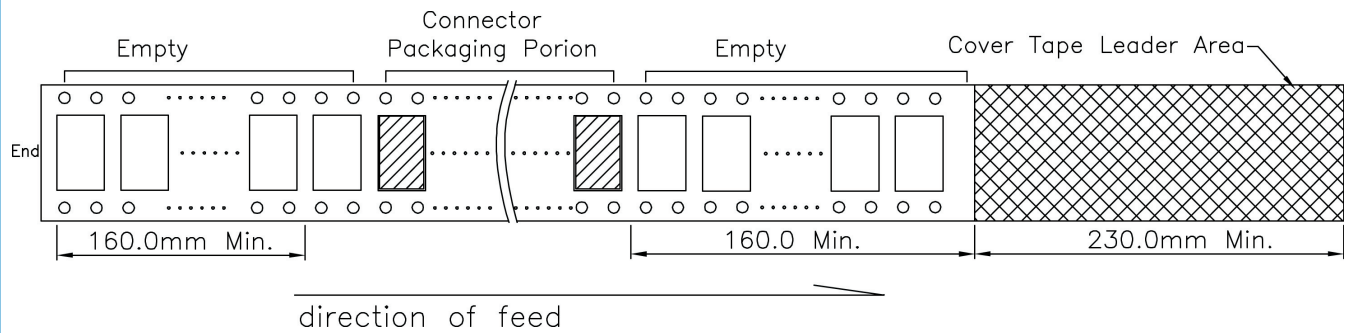
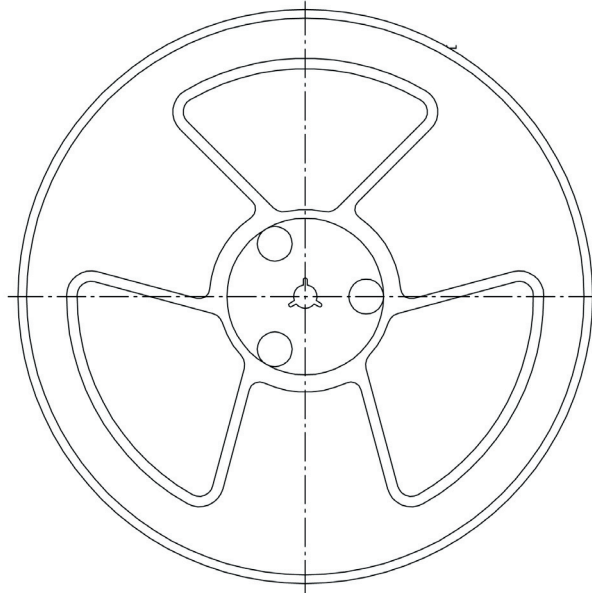
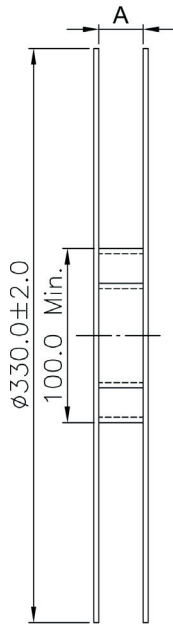
Terminal Blocks

Memory Card

FFC / FPC

Verpackung entspricht  
EIA-481-C.

Packing correspond with  
EIA-481-C.



| No. of contacts | A     | Qty per Reel |
|-----------------|-------|--------------|
| 04 - 10         | 24.50 | 800          |
| 11 - 16         | 32.50 | 800          |
| 17 - 27         | 44.50 | 800          |
| 28 - 32         | 56.50 | 800          |

Cable  
assemblies

D-Sub / Hoods  
Centronics

Multiflex -  
DIN41651

Modular

USB  
IEEE1394

Switches

Powercards  
Powerinlets

DIN41612  
Hardmetric

MiniDIN

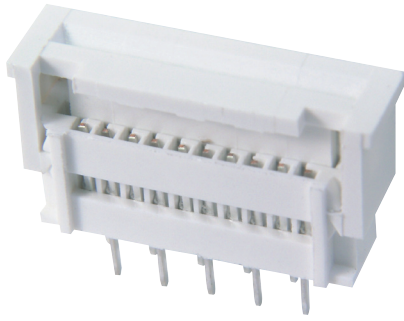
Sockets / Strips  
Jumper

Terminal Blocks

Memory Card

FFC / FPC





**Isolierkörpermaterial**  
Nylon, UL94V-0

**Kontaktmaterial**  
Phosphorbronze

**Kontaktoberfläche**  
Ni, Sn

**Kontaktwiderstand**  
20mΩ max

**Isolationswiderstand**  
500MΩ min

**Strombelastbarkeit**  
1A

**Betriebstemperatur**  
-40°C - +105°C

**Betriebsspannung**  
100V AC

**Prüfspannung**  
500V AC

**Verpackung**  
Stangenverpackung

**Insulator material**  
Nylon, UL94V-0

**Contact material**  
Phosphor bronze

**Plating**  
Ni, Sn

**Contact resistance**  
20mΩ max

**Insulation resistance**  
500MΩ min

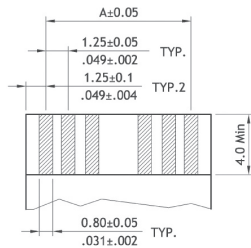
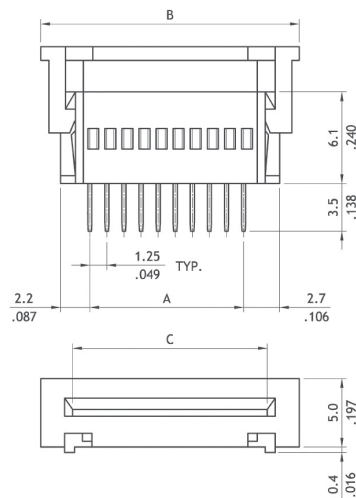
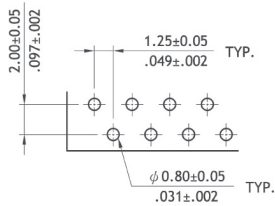
**Current rating**  
1A

**Operating temperature**  
-40°C - +105°C

**Operating voltage**  
100V AC

**Test voltage**  
500V AC

**Packing**  
Tube packing



Bestellcode / Ordercode

**Polzahlen**

**No. of contacts**

02 - 32

02 - 32

**Raster**

**Pitch**

125 - 1.25mm

125 - 1.25mm

TVS - DIP, vertikal,  
Kontakte einseitig

TVS - DIP, vertical,  
single sided contacts

**Verpackung**

**Packing**

T - Stange

T - Tube

**AFFC01** **xx** - **125** - **TVS** - **x**

Bitte „x“ durch die geeignete Option ersetzen  
Please replace „x“ with appropriate option

Cable  
assemblies

D-Sub / Hoods  
Centronics

Multiflex -  
DIN41651

Modular

USB  
IEEE1394

Switches

Powercords  
Powerlets

DIN41612  
Hardmetric

MiniDIN

Sockets / Strips  
Jumper

Terminal Blocks

Memory Card

FFC / FPC

**Isolierkörpermaterial**  
Nylon, UL94V-0

**Kontaktmaterial**  
Phosphorbronze

**Kontaktfläche**  
Ni, Sn

**Kontaktwiderstand**  
20mΩ max

**Isolationswiderstand**  
500MΩ min

**Strombelastbarkeit**  
1A

**Betriebstemperatur**  
-40°C - +105°C

**Betriebsspannung**  
100V AC

**Prüfspannung**  
500V AC

**Verpackung**  
Stangenverpackung

**Insulator material**  
Nylon, UL94V-0

**Contact material**  
Phosphor bronze

**Plating**  
Ni, Sn

**Contact resistance**  
20mΩ max

**Insulation resistance**  
500MΩ min

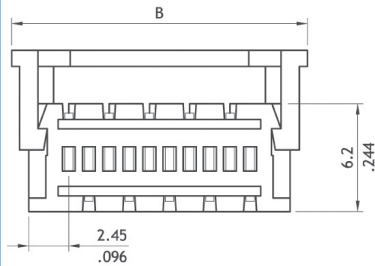
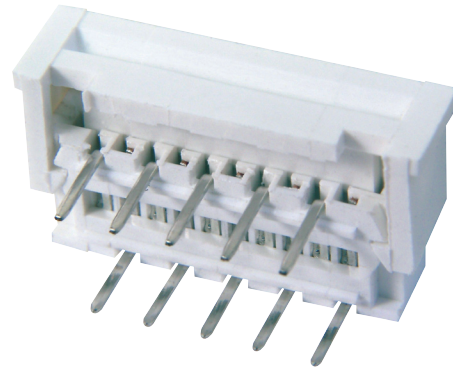
**Current rating**  
1A

**Operating temperature**  
-40°C - +105°C

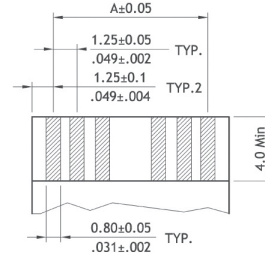
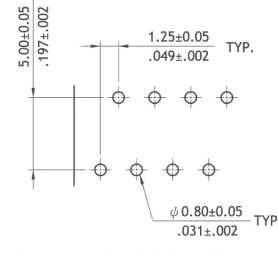
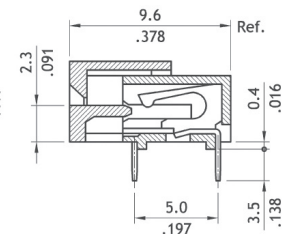
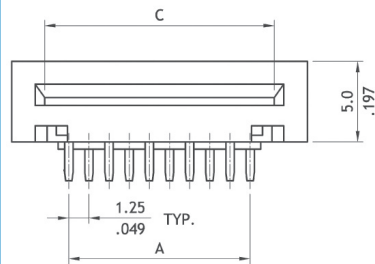
**Operating voltage**  
100V AC

**Test voltage**  
500V AC

**Packing**  
Tube packing



A = 1.25 x  
No. of Spaces  
B = A + 7.1  
C = A + 2.7



Bestellcode / Ordercode

**Polzahlen**  
02 - 32

**No. of contacts**  
02 - 32

**Raster**  
125 - 1.25mm

**Pitch**  
125 - 1.25mm

**THT** - DIP, horizontal,  
Kontakte obenliegend

**TVS** - DIP, horizontal,  
topside contacts

**Verpackung**  
T - Stange

**Packing**  
T - Tube

**AFFC01** **xx** - **125** - **THT** - **x**

Bitte „x“ durch die geeignete Option ersetzen  
 Please replace „x“ with appropriate option

Cable  
assemblies

D-Sub / Hoods  
Centronics

Multiflex -  
DIN41651

Modular

USB  
IEEE1394

Switches

Powercards  
Powerinlets

DIN41612  
Hardmetric

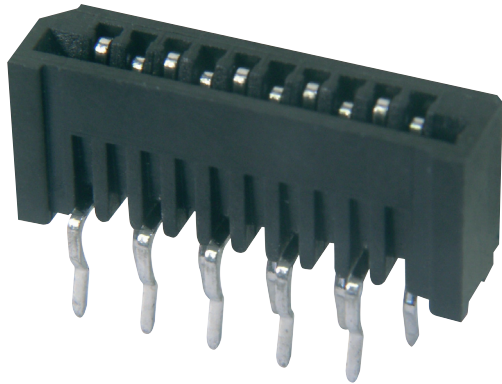
MiniDIN

Sockets / Strips  
Jumper

Terminal Blocks

Memory Card

FFC / FPC



**Isolierkörpermaterial**  
Nylon, UL94V-0

**Kontaktmaterial**  
Phosphorbronze

**Kontaktoberfläche**  
Ni, Sn

**Kontaktwiderstand**  
20mΩ max

**Isolationswiderstand**  
500MΩ min

**Strombelastbarkeit**  
1A

**Betriebstemperatur**  
-40°C - +105°C

**Betriebsspannung**  
100V AC

**Prüfspannung**  
500V AC

**Verpackung**  
Stangenverpackung

**Insulator material**  
Nylon, UL94V-0

**Contact material**  
Phosphor bronze

**Plating**  
Ni, Sn

**Contact resistance**  
20mΩ max

**Insulation resistance**  
500MΩ min

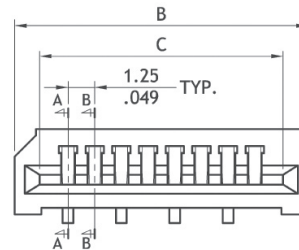
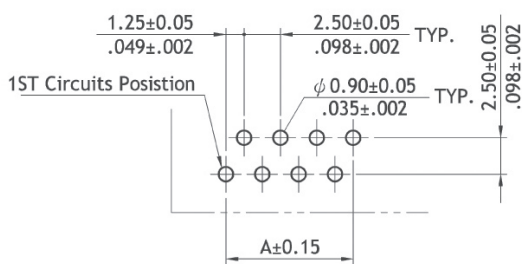
**Current rating**  
1A

**Operating temperature**  
-40°C - +105°C

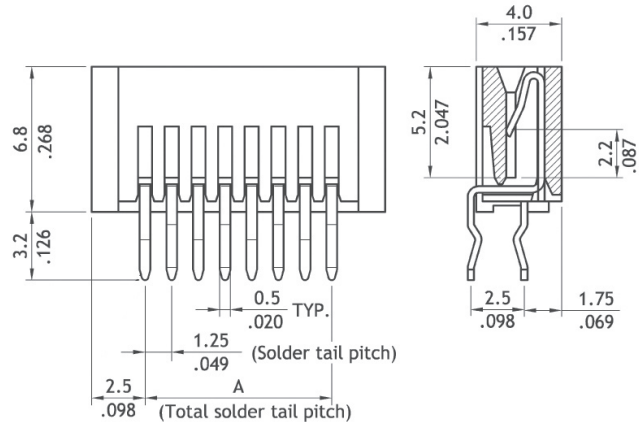
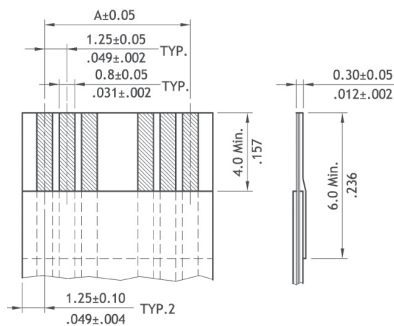
**Operating voltage**  
100V AC

**Test voltage**  
500V AC

**Packing**  
Tube packing



A = 1.25 x  
No. of Spaces  
B = A + 5.0  
C = A + 2.66



Bestellcode / Ordercode

**Polzahlen**

**No. of contacts**

03 - 36

03 - 36

**Raster**

**Pitch**

125 - 1.25mm

125 - 1.25mm

THS - DIP, horizontal,  
Kontakte einseitig

TVS - DIP, horizontal,  
single sided contacts

**Verpackung**

**Packing**

T - Stange

T - Tube

**AFFC12** **xx** - **125** - **THS** - **x**

Bitte „x“ durch die geeignete Option ersetzen  
Please replace „x“ with appropriate option

Cable  
assemblies

D-Sub / Hoods  
Centronics

Multiflex -  
DIN41651

Modular

USB  
IEEE1394

Switches

Powercords  
Powerlets

DIN41612  
Hardmetric

MiniDIN

Sockets / Strips  
Jumper

Terminal Blocks

Memory Card

FFC / FPC

**Isolierkörpermaterial**

Nylon, UL94V-0

**Kontaktmaterial**

Phosphorbronze

**Kontaktoberfläche**

Ni, Sn

**Kontaktwiderstand**

20mΩ max

**Isolationswiderstand**

500MΩ min

**Strombelastbarkeit**

1A

**Betriebstemperatur**

-40°C - +105°C

**Betriebsspannung**

100V AC

**Prüfspannung**

500V AC

**Verpackung**

Stangenverpackung

**Insulator material**

Nylon, UL94V-0

**Contact material**

Phosphor bronze

**Plating**

Ni, Sn

**Contact resistance**

20mΩ max

**Insulation resistance**

500MΩ min

**Current rating**

1A

**Operating temperature**

-40°C - +105°C

**Operating voltage**

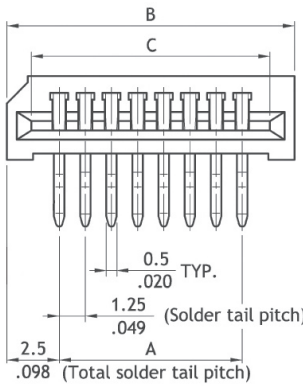
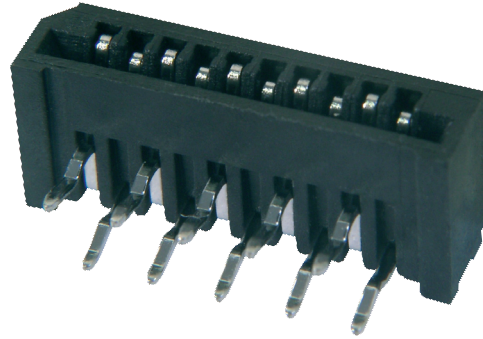
100V AC

**Test voltage**

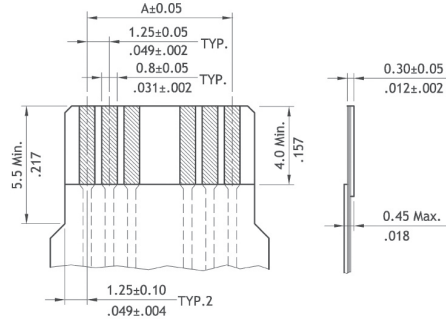
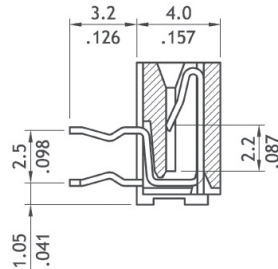
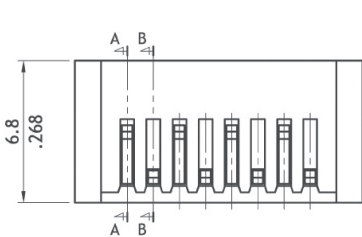
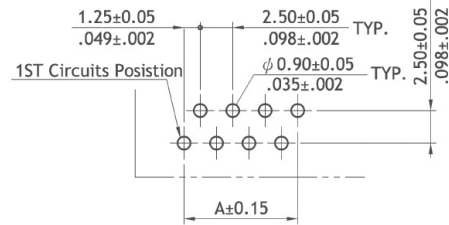
500V AC

**Packing**

Tube packing



A = 2.54 x  
 No. of Spaces  
 B = A + 8.0  
 C = A + 5.9



**Bestellcode / Ordercode**

**Polzahlen**

03 - 36

**No. of contacts**

03 - 36

**Raster**

125 - 1.25mm

**Pitch**

125 - 1.25mm

THT - DIP, horizontal,  
 Kontakte obenliegend

TVS - DIP, horizontal,  
 topside contacts

**Verpackung**

T - Stange

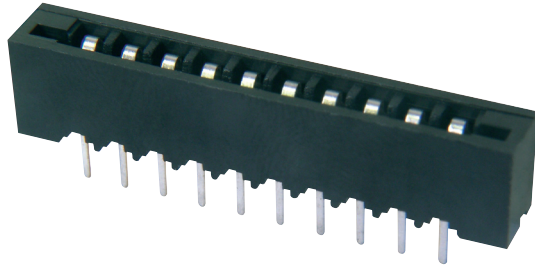
**Packing**

T - Tube

**AFFC12** **xx** - **125** - **THT** - **x**

Bitte „x“ durch die geeignete Option ersetzen  
 Please replace „x“ with appropriate option

- Cable assemblies
- D-Sub / Hoods Centronics
- Multiflex - DIN41651
- Modular
- USB IEEE1394
- Switches
- Powercards Powerline
- DIN41612 Hardmetric
- MiniDIN
- Sockets / Strips Jumper
- Terminal Blocks
- Memory Card
- FFC / FPC



**Isolierkörpermaterial**  
Nylon, UL94V-0

**Kontaktmaterial**  
Phosphorbronze

**Kontaktoberfläche**  
Ni, Sn

**Kontaktwiderstand**  
20mΩ max

**Isolationswiderstand**  
1000MΩ min

**Strombelastbarkeit**  
1A

**Betriebstemperatur**  
-55°C - +85°C

**Betriebsspannung**  
100V AC

**Prüfspannung**  
500V AC

**Verpackung**  
Stangenverpackung

**Insulator material**  
Nylon, UL94V-0

**Contact material**  
Phosphor bronze

**Plating**  
Ni, Sn

**Contact resistance**  
20mΩ max

**Insulation resistance**  
1000MΩ min

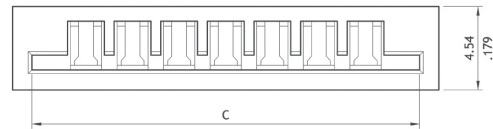
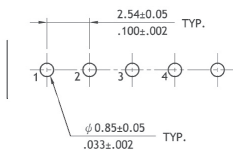
**Current rating**  
1A

**Operating temperature**  
-55°C - +85°C

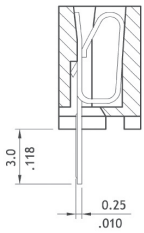
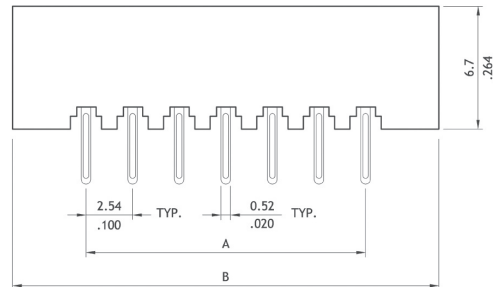
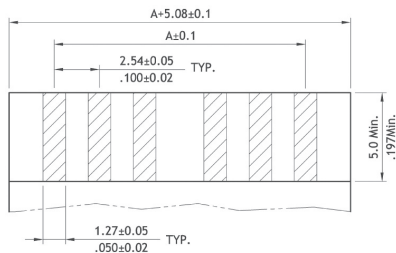
**Operating voltage**  
100V AC

**Test voltage**  
500V AC

**Packing**  
Tube packing



A = 2.54 x  
No. of Spaces  
B = A + 8.0  
C = A + 5.9



Bestellcode / Ordercode

**Polzahlen**

**No. of contacts**

06 - 27

06 - 27

**Raster**

**Pitch**

254 - 2.54mm

254 - 2.54mm

THS - DIP, vertikal,  
Kontakte einseitig

THS - DIP, vertical,  
single sided contacts

**Verpackung**

**Packing**

T - Stange

T - Tube

**AFFC14** **xx** - **254** - **TVS** - **x**

Bitte „x“ durch die geeignete Option ersetzen  
Please replace „x“ with appropriate option



**Isolierkörpermaterial**  
Nylon, UL94V-0

**Kontaktmaterial**  
Phosphorbronze

**Kontaktoberfläche**  
Ni, Sn

**Kontaktwiderstand**  
20mΩ max

**Isolationswiderstand**  
1000MΩ min

**Strombelastbarkeit**  
1A

**Betriebstemperatur**  
-55°C - +85°C

**Betriebsspannung**  
100V AC

**Prüfspannung**  
500V AC

**Verpackung**  
Stangenverpackung

**Insulator material**  
Nylon, UL94V-0

**Contact material**  
Phosphor bronze

**Plating**  
Ni, Sn

**Contact resistance**  
20mΩ max

**Insulation resistance**  
1000MΩ min

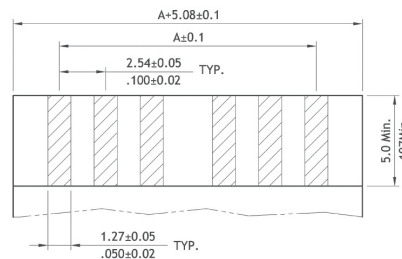
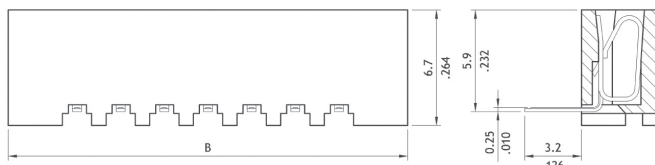
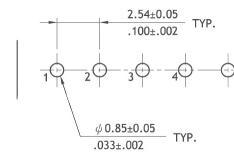
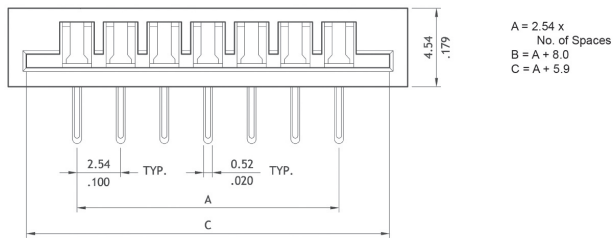
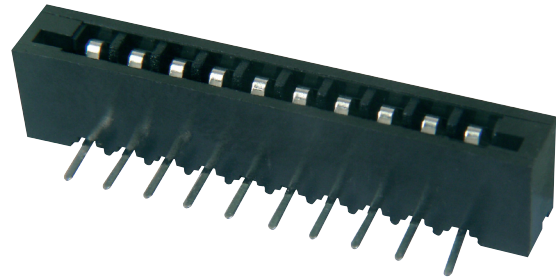
**Current rating**  
1A

**Operating temperature**  
-55°C - +85°C

**Operating voltage**  
100V AC

**Test voltage**  
500V AC

**Packing**  
Tube packing



Bestellcode / Ordercode

**Polzahlen**  
06 - 27

**No. of contacts**  
06 - 27

**Raster**  
254 - 2.54mm

**Pitch**  
254 - 2.54mm

**THT** - DIP, horizontal,  
Kontakte obenliegend

**TVS** - DIP, horizontal,  
topside contacts

**Verpackung**  
T - Stange

**Packing**  
T - Tube

**AFFC14** **xx** - **254** - **THT** - **x**

Bitte „x“ durch die geeignete Option ersetzen  
 Please replace „x“ with appropriate option

Cable assemblies

D-Sub / Hoods  
Centronics

Multiflex -  
DIN41661

Modular

USB  
IEEE1394

Switches

Powercards  
Powerinlets

DIN41612  
Hardmetric

MiniDIN

Sockets / Strips  
Jumper

Terminal Blocks

Memory Card

FFC / FPC