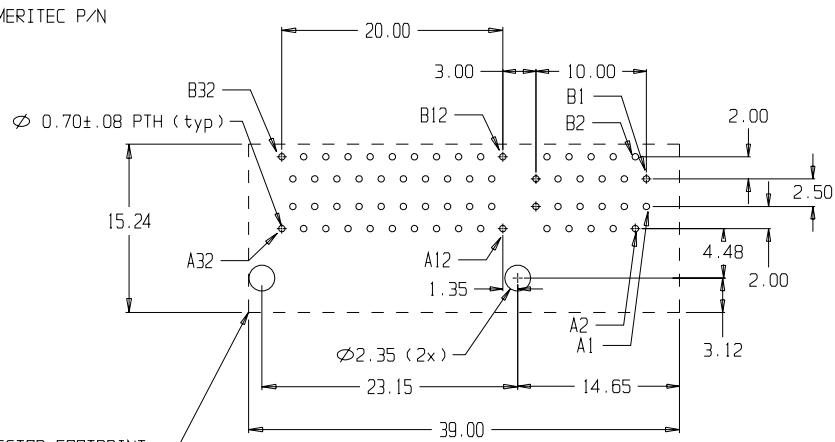
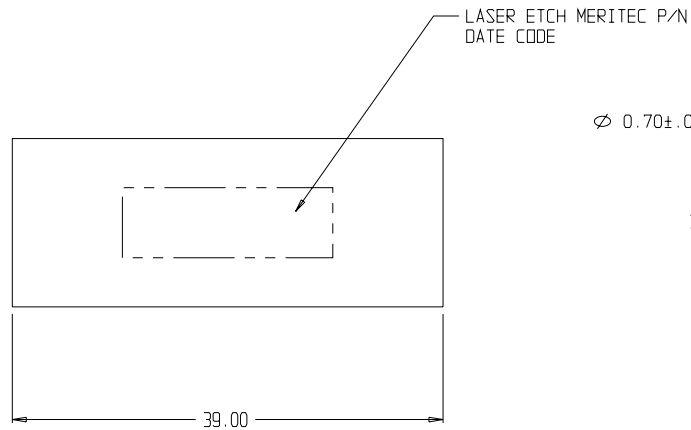
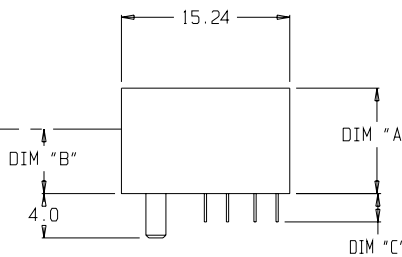
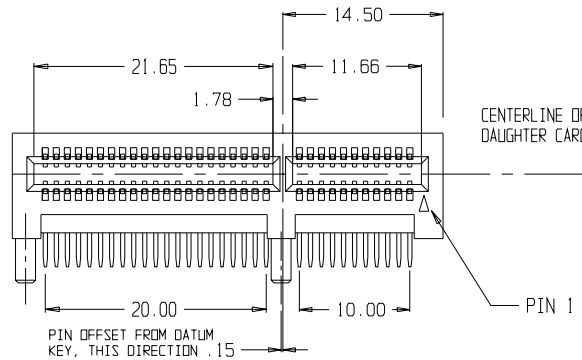


SYM	REVISION	DATE	BY
A	ECD# 1352-40211	01/19/07	CWB
B	ECD# 1352-40227	01/26/07	CWB



RECOMMENDED PCB LAYOUT
CONNECTOR SIDE SHOWN



MATERIALS:

CONNECTOR HOUSING -- GLASS FILLED LIQUID CRYSTAL POLYMER, BLACK, UL 94V-0

CONTACTS -- COPPER ALLOY

CONTACT FINISH:

Ⓟ .000050" MIN. GOLD IN CONTACT AREA,
GOLD FLASH PLATING ON CONTACT TAILS,
OVER .000050" MIN. NICKEL ENTIRE CONTACT.

DIM "A"	DIM "B"	DIM "C"	MERITEC PART NO.
9.4 (.37)	5.84 (.230)	2.54 (.100)	983171-064-2MMF
9.4 (.37)	5.84 (.230)	3.18 (.125)	983172-064-2MMF
9.4 (.37)	5.84 (.230)	3.56 (.140)	983173-064-2MMF
14.7 (.58)	11.18 (.440)	2.54 (.100)	98317G-064-2MMF
14.7 (.58)	11.18 (.440)	3.18 (.125)	98317H-064-2MMF
14.7 (.58)	11.18 (.440)	3.56 (.140)	98317J-064-2MMF
20.3 (.80)	16.69 (.657)	2.54 (.100)	98317A-064-2MMF
20.3 (.80)	16.69 (.657)	3.18 (.125)	98317B-064-2MMF
20.3 (.80)	16.69 (.657)	3.56 (.140)	98317C-064-2MMF

ALL DIMENSIONS IN MILLIMETERS UNLESS OTHERWISE NOTED

UNLESS OTHERWISE NOTED DIMENSIONS ARE IN MILLIMETERS		
.XX ± []	.XXX ± []	.XXXX ± []
ANGLES ± []	FINISH:	
DRAWN: C. BALMANN	DATE: 01/19/07	
CHECKED:	DATE:	
RELEASED:	DATE:	
NEXT ASS'Y DWG.		



TITLE
RT. ANGLE PCI EXPRESS™
X4 DAUGHTER CARD COMP. UP

PROJECT No	SCALE	SHEET
1352	NONE	1 OF 1
DWG No	REV	
1352-0113869	B	