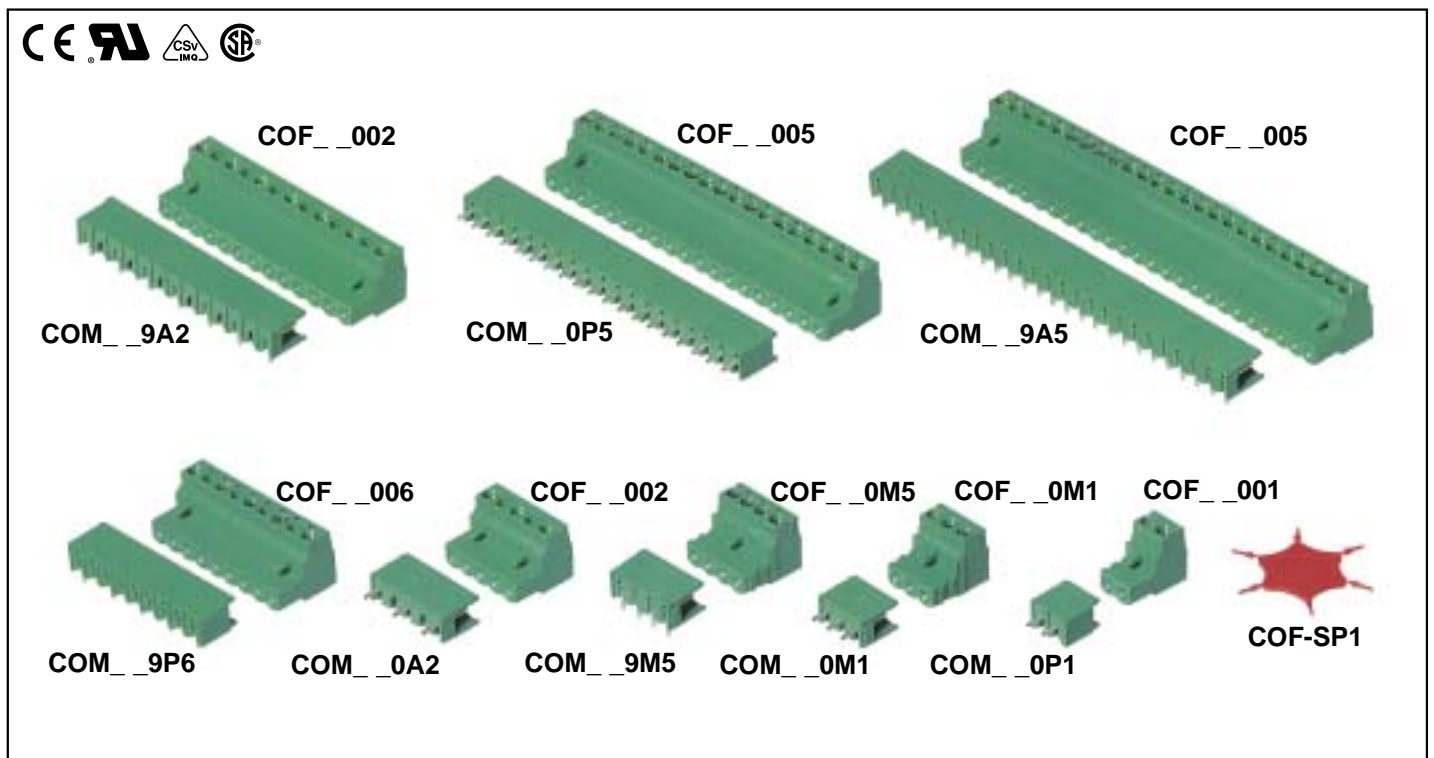




|                                 |  |
|---------------------------------|--|
| <b>Dimensional Class:</b>       | <b>MEDIUM</b>  |
| <b>Standard Color:</b>          | <b>GREEN</b>   |
| <b>Mated Connectors Height:</b> | see page 195   |
| <b>Cage Clamp Opening Size:</b> | .098 x .094 in (2.5 x 2.4 mm)  |
| <b>Wire Diameter:</b>           | max. 2.4 mm (4.52 mm <sup>2</sup> )                                  |
| <b>Female Versions:</b>         | Modular, Side Stackable  |
| <b>Male Versions:</b>           | Modular, Polarized, Side Stackable                                   |
| <b>Single Mold Poles:</b>       | from 2 to 4 (Modular)<br>from 2 to 25 (Polarized and Side Stackable) |
| <b>Metric Pitches:</b>          | .197 in (5 mm), .295 in (7.5 mm), .394 in (10 mm)                    |
| <b>Imperial Pitches:</b>        | .2 in (5.08 mm), .3 in (7.62 mm), .4 in (10.16 mm)                   |

|                                     |   |
|-------------------------------------|---|
| <b>Classe Dimensionale:</b>         | <b>MEDIA</b>  |
| <b>Colore Standard:</b>             | <b>VERDE</b>  |
| <b>Altezza Connettore Completo:</b> | vedere pag. 195   |
| <b>Apertura Introduzione Filo:</b>  | 2,5 x 2,4 mm  |
| <b>Diametro Filo Inseribile:</b>    | max. 2,4 mm (4,52 mm <sup>2</sup> )                           |
| <b>Versioni Femmina:</b>            | Modulare, Affiancabile  |
| <b>Versioni Maschio:</b>            | Modulare, Polarizzato, Affiancabile                           |
| <b>Vie Monolitiche:</b>             | da 2 a 4 (Modulare)<br>da 2 a 25 (Polarizzato e Affiancabile) |
| <b>Passi Metrici:</b>               | 5 mm, 7,5 mm, 10 mm   |
| <b>Passi in Pollici:</b>            | 5,08 mm, 7,62 mm, 10,16 mm                                    |



The CO connector Series for printed circuit boards can be polarized both by means of the plastic housing and COF-SP1 Polarization Pegs.

The CO connector Series satisfies the user's mounting needs with the following possibilities:

- using individual single mold (Modular) connectors from 2 to 4 poles or (Polarized and Side Stackable) from 2 to 25 poles;
- combining single mold Modular connectors from 2 to 4 poles or place side stackable connectors from 2 to 25 poles to obtain any number of poles;
- minimizing the stock by storing only selected connectors (ex. 2 - 3... 25 poles) to enable combinations as described above;
- being included in a custom Kit package to simplify the product management (part-numbers reduction), to minimize the stock, to improve the assembly and to reduce production errors.

Il connettore Serie CO per circuiti stampati può essere polarizzato sia tramite il corpo plastico che con Spine di Polarizzazione COF-SP1.

Il connettore Serie CO soddisfa le esigenze di montaggio dell'utilizzatore; infatti è possibile:

- utilizzare singolarmente i connettori monolitici da 2 a 4 vie (Modulare) e da 2 a 25 vie (Polarizzato e Affiancabile);
- comporre i connettori Modulari monolitici da 2 a 4 vie oppure affiancare i connettori Affiancabili da 2 a 25 vie per ottenere qualsiasi numero di vie;
- gestire uno stoccaggio minimo di connettori (es. 2 - 3... 25 vie) per ottenere quanto sopra;
- utilizzare le confezioni Kit che permettono una semplificazione della gestione del prodotto (riduzione dei part-number), del magazzino, dell'assemblaggio, nonché una riduzione dei rischi d'errore.

|   |  |   |
|---|--|---|
| M3 nickel-plated Copper Alloy Screw.  |  | Vite M3 in Lega di Rame nichelata.  |
| Nickel-plated Copper Alloy Cage Clamp.  |  | Morsetto in Lega di Rame nichelato.   |
| PA 6.6 Polyamide Housing.<br>Standard Color: GREEN.<br>V-0 Self-extinguishing<br>According to UL 94.<br>Chlorinated solvents resistant,<br>with no Phosphor, Dioxin or<br>detrimental to health Halogens. |  | Corpo in Poliammide PA 6.6.<br>Colore Standard: VERDE.<br>Autoestinguente<br>Classe V-0 sec. UL 94.<br>Resistente ai solventi clorurati,<br>senza Fosforo, Diossina e Alogeni<br>dannosi alla salute. |
| Leadfree tin-plated Phosphorous Bronze spring.  |  | Molla in Bronzo Fosforoso stagnato senza piombo.  |
| Easy-to-solder leadfree<br>tin-plated Phosphorous Bronze Pin.   |  | Terminale in Bronzo Fosforoso<br>stagnato saldabile senza piombo.   |

### Mechanical Characteristics

|                                |                                     |
|--------------------------------|-------------------------------------|
| Insertion force per pole:      | max. .674 lb (max. 3 N)             |
| Withdrawal force per pole:     | min. .337 lb (min. 1.5 N)           |
| Recommended tightening torque: | 0.8 Nm (UL)*                        |
| PCB thickness:                 | max. .094 lb (max. 2.4 mm)          |
| PCB holes diameter:            | min. .055 in (min. 1.4 mm)          |
| Stripping length:              | .24 ÷ .30 in (6 ÷ 7.5 mm)           |
| Operating temperature range:   | -40 °F ÷ +230 °F (-40 °C ÷ +110 °C) |
| Climatic category:             | 40/110/21 According to IEC 68-1     |

### Electrical Characteristics

|                        |   |
|------------------------|---|
| Solid wire section:    | 30 ÷ 12 AWG (0.05 ÷ 2.5 mm <sup>2</sup> ) (UL, CSA)*  |
| Stranded wire section: | 30 ÷ 12 AWG (0.05 ÷ 1.5 mm <sup>2</sup> ) (UL, CSA)*  |
| Rated voltage:         | .197 in (5 mm) and .200 in (5.08 mm) pitch 300 V (UL, CSA)*<br>.295 in (7.5 mm) and .300 in (7.62 mm) pitch 750 V (IMQ)*<br>.394 in (10 mm) and .400 in (10.16 mm) pitch 750 V (IMQ)* |
| Rated current:         | 15 A (IMQ)*   |
| Contact resistance:    | <15 mΩ  |
| Insulation resistance: | >10 <sup>9</sup> Ω (500V DC)  |

\*All the a.m. data refer to the highest values amongst the certificated ones ( ). **V** voltage, **I** current values and tightening torque are related to the norms to be applied to the product and to its use.

### Caratteristiche Meccaniche

|                                      |                            |
|--------------------------------------|----------------------------|
| Forza di inserzione per contatto:    | max. 3 N                   |
| Forza di disinserzione per contatto: | min. 1,5 N                 |
| Coppia di serraggio consigliata:     | 0,8 Nm (UL)*               |
| Spessore circuito stampato:          | max. 2,4 mm                |
| Diametro fori circuito stampato:     | min. 1,4 mm                |
| Lunghezza di spellatura:             | 6 ÷ 7,5 mm                 |
| Temperature di funzionamento:        | -40 °C ÷ +110 °C           |
| Categoria climatica:                 | 40/110/21 Secondo IEC 68-1 |

### Caratteristiche Elettriche

|                                     |   |
|-------------------------------------|---|
| Conduttore rigido connettibile:     | 0,05 ÷ 2,5 mm <sup>2</sup> (30 ÷ 12 AWG) (UL, CSA)*   |
| Conduttore flessibile connettibile: | 0,05 ÷ 1,5 mm <sup>2</sup> (30 ÷ 12 AWG) (UL, CSA)*   |
| Tensione nominale:                  | passo 5 mm e 5,08 mm 300 V (UL, CSA)*<br>passo 7,5 mm e 7,62 mm 750 V (IMQ)*<br>passo 10 mm e 10,16 mm 750 V (IMQ)* |
| Corrente nominale:                  | 15 A (IMQ)*   |
| Resistenza di contatto:             | <15 mΩ  |
| Resistenza di isolamento:           | >10 <sup>9</sup> Ω (500V CC)  |

\*Per ogni caratteristica, i dati riportati si riferiscono ai massimi valori fra quelli certificati ( ). I valori di tensione **V** corrente **I** e, coppia di serraggio sono legati alle norme applicabili al prodotto ed al tipo di utilizzo.

### Approvals

**IMQ:** **Certificate with Surveillance IMQ CSv ED622**  
250 V - T 110 - 15 A - 2.5 mm<sup>2</sup> solid (12 A - 1.5 mm<sup>2</sup> stranded) for 5 mm and 5.08 mm pitch  
750 V - T 110 - 15 A - 2.5 mm<sup>2</sup> solid (12 A - 1.5 mm<sup>2</sup> stranded)  
for 7.5 mm, 7.62 mm, 10 mm and 10.16 mm pitch

**CSA:** **File LR 102896-2**  
300 V - 12 A - 30÷12 AWG for 5 mm and 5.08 mm pitch  
450 V - 12 A - 30÷12 AWG for 7.5 mm and 7.62 mm pitch  
600 V - 12 A - 30÷12 AWG for 10 mm and 10.16 mm pitch

**UL:** **File E 167473**  
300 V - 15 A - 30÷12 AWG for 5 mm, 5.08 mm, 7.5 mm and 7.62 mm pitch  
600 V - 15 A - 30÷12 AWG for 10 mm and 10.16 mm pitch  
Application values for end-use equipment have to be  
in accordance to UL norms and applicable to it.

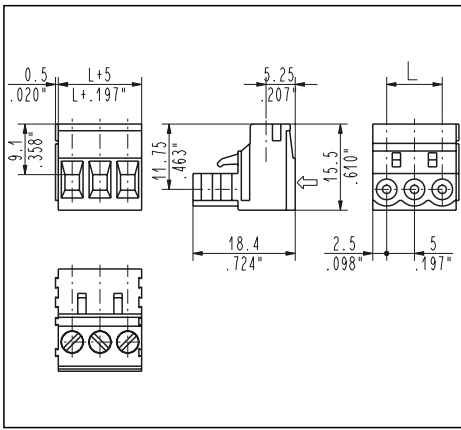
### Certificazioni



**IMQ:** **Certificato con Sorveglianza IMQ CSv ED622**  
250 V - T 110 - 15 A - 2,5 mm<sup>2</sup> rigido (12 A - 1,5 mm<sup>2</sup> flessibile) per passo 5 mm e 5,08 mm  
750 V - T 110 - 15 A - 2,5 mm<sup>2</sup> rigido (12 A - 1,5 mm<sup>2</sup> flessibile)  
per passo 7,5 mm, 7,62 mm, 10 mm e 10,16 mm

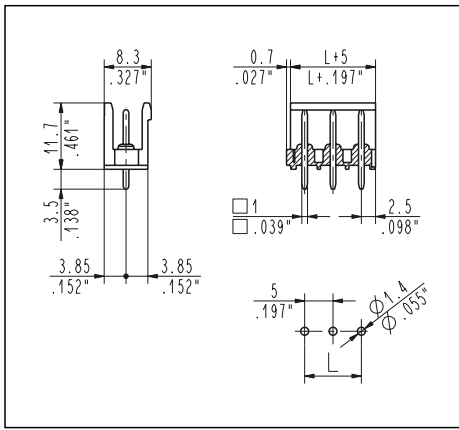
**CSA:** **File LR 102896-2**  
300 V - 12 A - 30÷12 AWG per passo 5 mm e 5,08 mm  
450 V - 12 A - 30÷12 AWG per passo 7,5 mm e 7,62 mm  
600 V - 12 A - 30÷12 AWG per passo 10 mm e 10,16 mm

**UL:** **File E 167473**  
300 V - 15 A - 30÷12 AWG per passo 5 mm, 5,08 mm, 7,5 mm e 7,62 mm  
600 V - 15 A - 30÷12 AWG per passo 10 mm e 10,16 mm  
I valori di utilizzo per l'apparecchiatura finale  
devono essere conformi alle norme UL ad essa applicabili.



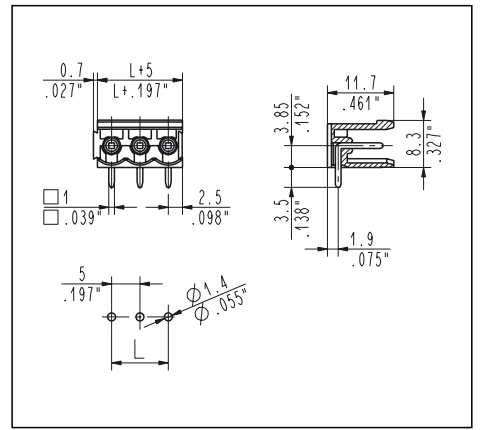
**COF\_0M1** Straight, Modular Female  
5 mm / .197" Pitch Weight per pole: 0.21 g

| Poles | STD Code | L [mm] | L [inch] | Pcs/pack. | Weight |
|-------|----------|--------|----------|-----------|--------|
| 02    | COF020M1 | 5.00   | 0.197    | 500       | 2.08   |
| 03    | COF030M1 | 10.00  | 0.394    | 400       | 2.50   |
| 04    | COF040M1 | 15.00  | 0.591    | 300       | 2.50   |



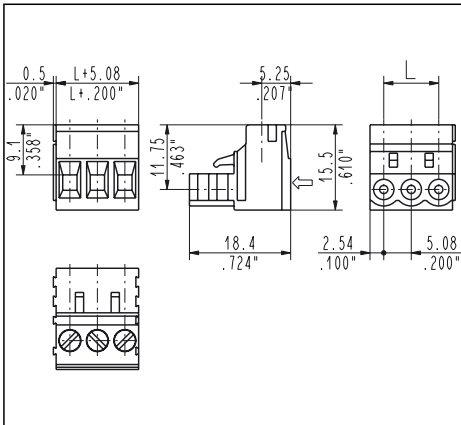
**COM\_0M1** Straight, Modular Male  
5 mm / .197" Pitch Weight per pole: 0.04 g

| Poles | STD Code | L [mm] | L [inch] | Pcs/pack. | Weight |
|-------|----------|--------|----------|-----------|--------|
| 02    | COM020M1 | 5.00   | 0.197    | 500       | 0.36   |
| 03    | COM030M1 | 10.00  | 0.394    | 400       | 0.44   |
| 04    | COM040M1 | 15.00  | 0.591    | 300       | 0.44   |



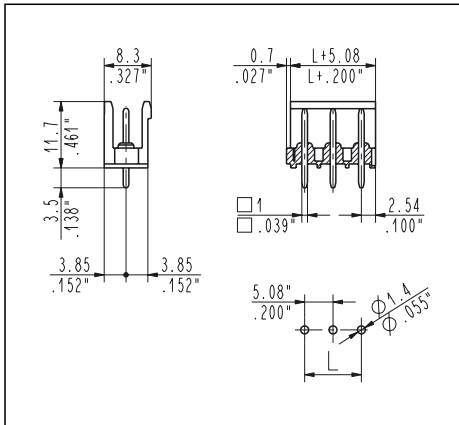
**COM\_9M1** 90°, Modular Male  
5 mm / .197" Pitch Weight per pole: 0.04 g

| Poles | STD Code | L [mm] | L [inch] | Pcs/pack. | Weight |
|-------|----------|--------|----------|-----------|--------|
| 02    | COM029M1 | 5.00   | 0.197    | 500       | 0.37   |
| 03    | COM039M1 | 10.00  | 0.394    | 400       | 0.45   |
| 04    | COM049M1 | 15.00  | 0.591    | 300       | 0.45   |



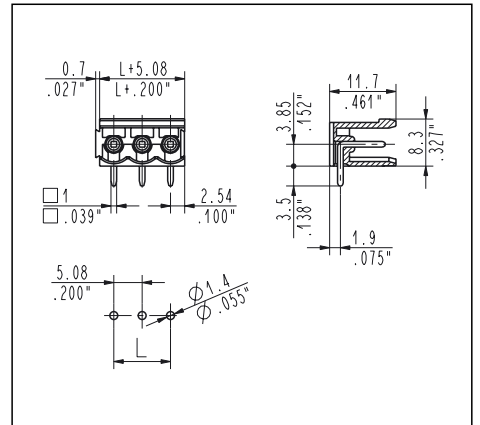
**COF\_0M5** Straight, Modular Female  
5.08 mm / .200" Pitch Weight per pole: 0.21 g

| Poles | STD Code | L [mm] | L [inch] | Pcs/pack. | Weight |
|-------|----------|--------|----------|-----------|--------|
| 02    | COF020M5 | 5.08   | 0.200    | 500       | 2.08   |
| 03    | COF030M5 | 10.16  | 0.400    | 400       | 2.50   |
| 04    | COF040M5 | 15.24  | 0.600    | 300       | 2.50   |



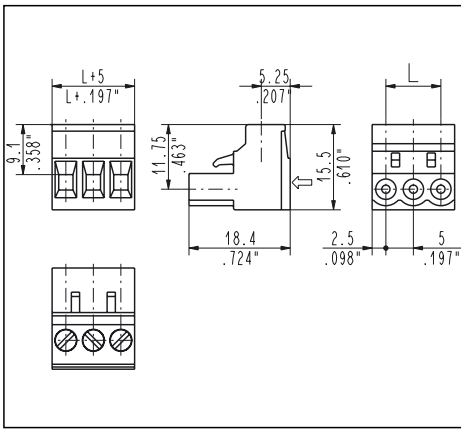
**COM\_0M5** Straight, Modular Male  
5.08 mm / .200" Pitch Weight per pole: 0.04 g

| Poles | STD Code | L [mm] | L [inch] | Pcs/pack. | Weight |
|-------|----------|--------|----------|-----------|--------|
| 02    | COM020M5 | 5.08   | 0.200    | 500       | 0.36   |
| 03    | COM030M5 | 10.16  | 0.400    | 400       | 0.44   |
| 04    | COM040M5 | 15.24  | 0.600    | 300       | 0.44   |



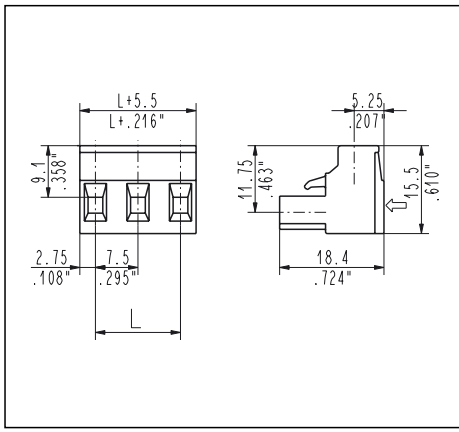
**COM\_9M5** 90°, Modular Male  
5.08 mm / .200" Pitch Weight per pole: 0.04 g

| Poles | STD Code | L [mm] | L [inch] | Pcs/pack. | Weight |
|-------|----------|--------|----------|-----------|--------|
| 02    | COM029M5 | 5.08   | 0.200    | 500       | 0.37   |
| 03    | COM039M5 | 10.16  | 0.400    | 400       | 0.45   |
| 04    | COM049M5 | 15.24  | 0.600    | 300       | 0.45   |



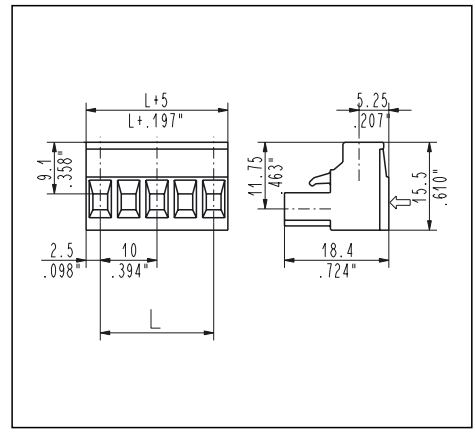
**COF\_001 Side Stackable Female**  
5 mm / .197" Pitch Weight per pole: 0.21 g

| Poles | STD Code | L [mm] | L [inch] | Pcs/pack. | Weight |
|-------|----------|--------|----------|-----------|--------|
| 02    | COF02001 | 5.00   | 0.197    | 500       | 2.08   |
| 03    | COF03001 | 10.00  | 0.394    | 400       | 2.50   |
| 04    | COF04001 | 15.00  | 0.591    | 300       | 2.50   |
| 05    | COF05001 | 20.00  | 0.787    | 250       | 2.60   |
| 06    | COF06001 | 25.00  | 0.984    | 200       | 2.50   |
| 07    | COF07001 | 30.00  | 1.181    | 175       | 2.55   |
| 08    | COF08001 | 35.00  | 1.378    | 150       | 2.50   |
| 09    | COF09001 | 40.00  | 1.575    | 125       | 2.34   |
| 10    | COF10001 | 45.00  | 1.772    | 100       | 2.08   |
| 11    | COF11001 | 50.00  | 1.969    | 100       | 2.29   |
| 12    | COF12001 | 55.00  | 2.165    | 75        | 1.87   |
| 13    | COF13001 | 60.00  | 2.362    | 75        | 2.03   |
| 14    | COF14001 | 65.00  | 2.559    | 75        | 2.18   |
| 15    | COF15001 | 70.00  | 2.756    | 75        | 2.34   |
| 16    | COF16001 | 75.00  | 2.953    | 75        | 2.50   |
| 17    | COF17001 | 80.00  | 3.150    | 50        | 1.77   |
| 18    | COF18001 | 85.00  | 3.346    | 50        | 1.87   |
| 19    | COF19001 | 90.00  | 3.543    | 50        | 1.98   |
| 20    | COF20001 | 95.00  | 3.740    | 50        | 2.08   |
| 21    | COF21001 | 100.00 | 3.937    | 50        | 2.18   |
| 22    | COF22001 | 105.00 | 4.134    | 50        | 2.29   |
| 23    | COF23001 | 110.00 | 4.331    | 50        | 2.39   |
| 24    | COF24001 | 115.00 | 4.528    | 50        | 2.50   |
| 25    | COF25001 | 120.00 | 4.724    | 50        | 2.60   |



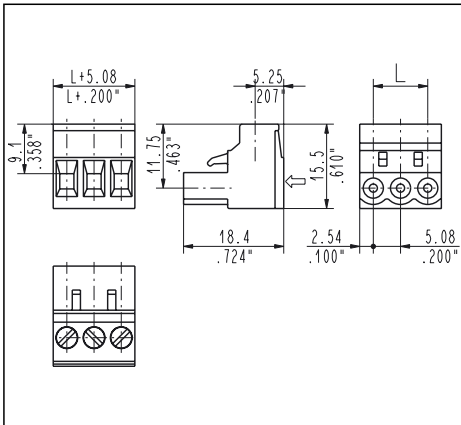
**COF\_003 Side Stackable Female**  
7.5 mm / .295" Pitch Weight per pole: 0.23 g

| Poles | STD Code | L [mm] | L [inch] | Pcs/pack. | Weight |
|-------|----------|--------|----------|-----------|--------|
| 02    | COF02003 | 7.50   | 0.295    | 400       | 1.83   |
| 03    | COF03003 | 15.00  | 0.591    | 250       | 1.72   |
| 04    | COF04003 | 22.50  | 0.886    | 200       | 1.83   |
| 05    | COF05003 | 30.00  | 1.181    | 150       | 1.72   |
| 06    | COF06003 | 37.50  | 1.476    | 125       | 1.72   |
| 07    | COF07003 | 45.00  | 1.772    | 100       | 1.60   |
| 08    | COF08003 | 52.50  | 2.067    | 75        | 1.37   |
| 09    | COF09003 | 60.00  | 2.362    | 75        | 1.54   |
| 10    | COF10003 | 67.50  | 2.657    | 75        | 1.72   |
| 11    | COF11003 | 75.00  | 2.953    | 50        | 1.26   |
| 12    | COF12003 | 82.50  | 3.248    | 50        | 1.37   |



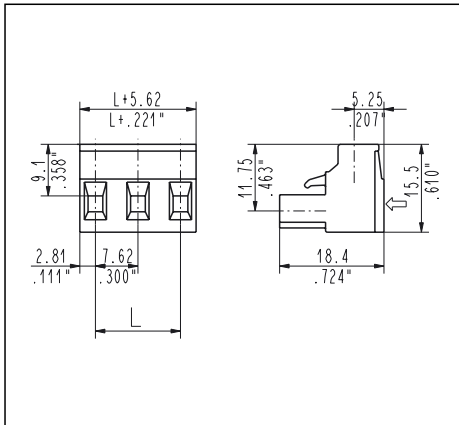
**COF\_002 Side Stackable Female**  
10 mm / .394" Pitch Weight per pole: 0.26 g

| Poles | STD Code | L [mm] | L [inch] | Pcs/pack. | Weight |
|-------|----------|--------|----------|-----------|--------|
| 02    | COF02002 | 10.00  | 0.394    | 400       | 2.06   |
| 03    | COF03002 | 20.00  | 0.787    | 250       | 1.93   |
| 04    | COF04002 | 30.00  | 1.181    | 175       | 1.80   |
| 05    | COF05002 | 40.00  | 1.575    | 125       | 1.61   |
| 06    | COF06002 | 50.00  | 1.969    | 100       | 1.54   |
| 07    | COF07002 | 60.00  | 2.362    | 75        | 1.35   |
| 08    | COF08002 | 70.00  | 2.756    | 75        | 1.54   |
| 09    | COF09002 | 80.00  | 3.150    | 50        | 1.16   |
| 10    | COF10002 | 90.00  | 3.543    | 50        | 1.28   |
| 11    | COF11002 | 100.00 | 3.937    | 50        | 1.41   |
| 12    | COF12002 | 110.00 | 4.331    | 50        | 1.54   |
| 13    | COF13002 | 120.00 | 4.724    | 50        | 1.67   |



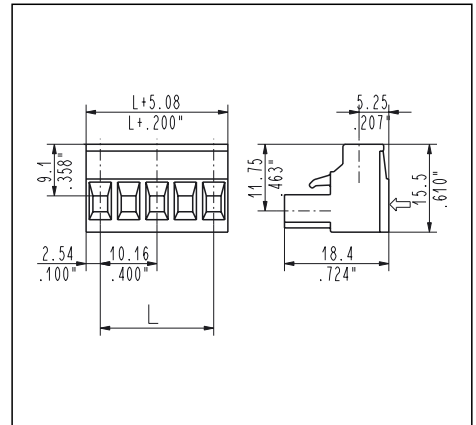
**COF\_005 Side Stackable Female**  
5.08 mm / .200" Pitch Weight per pole: 0.21 g

| Poles | STD Code | L [mm] | L [inch] | Pcs/pack. | Weight |
|-------|----------|--------|----------|-----------|--------|
| 02    | COF02005 | 5.08   | 0.200    | 500       | 2.08   |
| 03    | COF03005 | 10.16  | 0.400    | 400       | 2.50   |
| 04    | COF04005 | 15.24  | 0.600    | 300       | 2.50   |
| 05    | COF05005 | 20.32  | 0.800    | 250       | 2.60   |
| 06    | COF06005 | 25.40  | 1.000    | 200       | 2.50   |
| 07    | COF07005 | 30.48  | 1.200    | 175       | 2.55   |
| 08    | COF08005 | 35.56  | 1.400    | 150       | 2.50   |
| 09    | COF09005 | 40.64  | 1.600    | 125       | 2.34   |
| 10    | COF10005 | 45.72  | 1.800    | 100       | 2.08   |
| 11    | COF11005 | 50.80  | 2.000    | 100       | 2.29   |
| 12    | COF12005 | 55.88  | 2.200    | 75        | 1.87   |
| 13    | COF13005 | 60.96  | 2.400    | 75        | 2.03   |
| 14    | COF14005 | 66.04  | 2.600    | 75        | 2.18   |
| 15    | COF15005 | 71.12  | 2.800    | 75        | 2.34   |
| 16    | COF16005 | 76.20  | 3.000    | 75        | 2.50   |
| 17    | COF17005 | 81.28  | 3.200    | 50        | 1.77   |
| 18    | COF18005 | 86.36  | 3.400    | 50        | 1.87   |
| 19    | COF19005 | 91.44  | 3.600    | 50        | 1.98   |
| 20    | COF20005 | 96.52  | 3.800    | 50        | 2.08   |
| 21    | COF21005 | 101.60 | 4.000    | 50        | 2.18   |
| 22    | COF22005 | 106.68 | 4.200    | 50        | 2.29   |
| 23    | COF23005 | 111.76 | 4.400    | 50        | 2.39   |
| 24    | COF24005 | 116.84 | 4.600    | 50        | 2.50   |
| 25    | COF25005 | 121.92 | 4.800    | 50        | 2.60   |



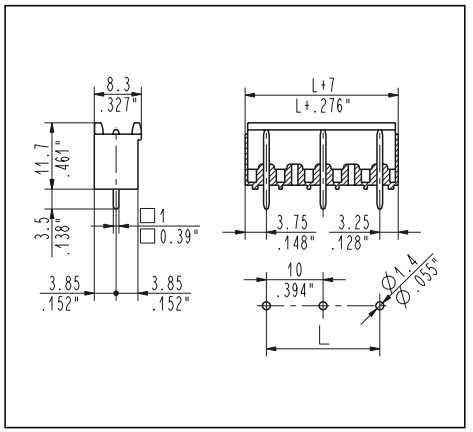
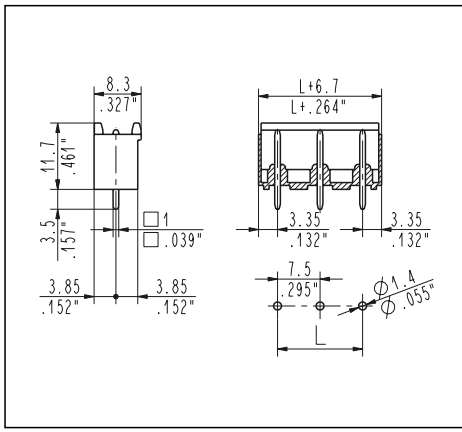
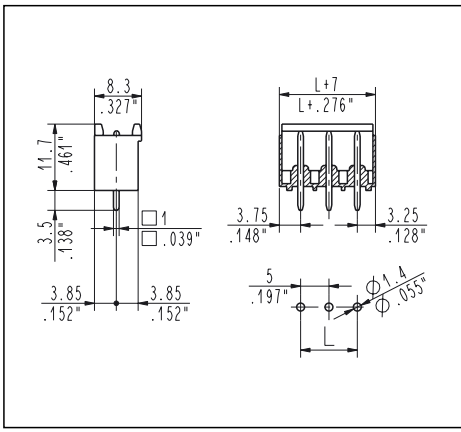
**COF\_007 Side Stackable Female**  
7.62 mm / .300" Pitch Weight per pole: 0.24 g

| Poles | STD Code | L [mm] | L [inch] | Pcs/pack. | Weight |
|-------|----------|--------|----------|-----------|--------|
| 02    | COF02007 | 7.62   | 0.300    | 400       | 1.91   |
| 03    | COF03007 | 15.24  | 0.600    | 250       | 1.79   |
| 04    | COF04007 | 22.86  | 0.900    | 200       | 1.91   |
| 05    | COF05007 | 30.48  | 1.200    | 150       | 1.79   |
| 06    | COF06007 | 38.10  | 1.500    | 125       | 1.79   |
| 07    | COF07007 | 45.72  | 1.800    | 100       | 1.67   |
| 08    | COF08007 | 53.34  | 2.100    | 75        | 1.44   |
| 09    | COF09007 | 60.96  | 2.400    | 75        | 1.61   |
| 10    | COF10007 | 68.58  | 2.700    | 75        | 1.79   |
| 11    | COF11007 | 76.20  | 3.000    | 50        | 1.32   |
| 12    | COF12007 | 83.82  | 3.300    | 50        | 1.44   |



**COF\_006 Side Stackable Female**  
10.16 mm / .400" Pitch Weight per pole: 0.26 g

| Poles | STD Code | L [mm] | L [inch] | Pcs/pack. | Weight |
|-------|----------|--------|----------|-----------|--------|
| 02    | COF02006 | 10.16  | 0.400    | 400       | 2.06   |
| 03    | COF03006 | 20.32  | 0.800    | 250       | 1.93   |
| 04    | COF04006 | 30.48  | 1.200    | 175       | 1.80   |
| 05    | COF05006 | 40.64  | 1.600    | 125       | 1.61   |
| 06    | COF06006 | 50.80  | 2.000    | 100       | 1.54   |
| 07    | COF07006 | 60.96  | 2.400    | 75        | 1.35   |
| 08    | COF08006 | 71.12  | 2.800    | 75        | 1.54   |
| 09    | COF09006 | 81.28  | 3.200    | 50        | 1.16   |
| 10    | COF10006 | 91.44  | 3.600    | 50        | 1.28   |
| 11    | COF11006 | 101.60 | 4.000    | 50        | 1.41   |
| 12    | COF12006 | 111.76 | 4.400    | 50        | 1.54   |
| 13    | COF13006 | 121.92 | 4.800    | 50        | 1.67   |



**COM\_0P1** Straight, Polarized Male  
5 mm / .197" Pitch Weight per pole: 0.05 g

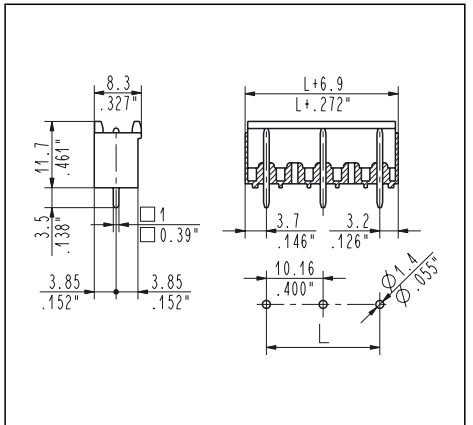
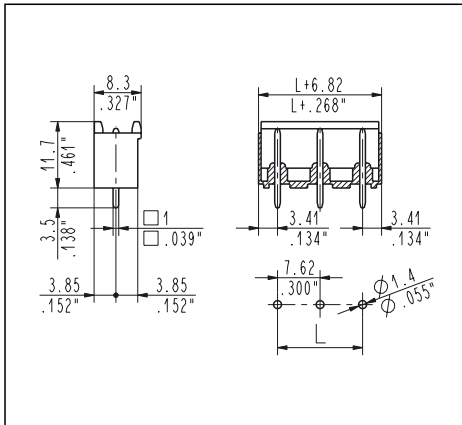
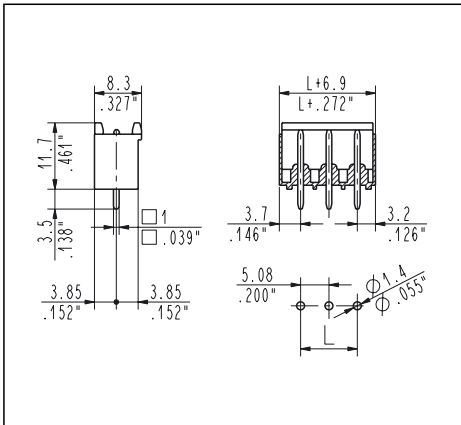
| Poles | STD Code | L [mm] | L [inch] | Pcs/pack. | Weight |
|-------|----------|--------|----------|-----------|--------|
| 02    | COM020P1 | 5.00   | 0.197    | 500       | 0.45   |
| 03    | COM030P1 | 10.00  | 0.394    | 400       | 0.54   |
| 04    | COM040P1 | 15.00  | 0.591    | 300       | 0.54   |
| 05    | COM050P1 | 20.00  | 0.787    | 250       | 0.56   |
| 06    | COM060P1 | 25.00  | 0.984    | 200       | 0.54   |
| 07    | COM070P1 | 30.00  | 1.181    | 175       | 0.55   |
| 08    | COM080P1 | 35.00  | 1.378    | 150       | 0.54   |
| 09    | COM090P1 | 40.00  | 1.575    | 125       | 0.50   |
| 10    | COM100P1 | 45.00  | 1.772    | 100       | 0.45   |
| 11    | COM110P1 | 50.00  | 1.969    | 100       | 0.49   |
| 12    | COM120P1 | 55.00  | 2.165    | 75        | 0.40   |
| 13    | COM130P1 | 60.00  | 2.362    | 75        | 0.44   |
| 14    | COM140P1 | 65.00  | 2.559    | 75        | 0.47   |
| 15    | COM150P1 | 70.00  | 2.756    | 75        | 0.50   |
| 16    | COM160P1 | 75.00  | 2.953    | 75        | 0.54   |
| 17    | COM170P1 | 80.00  | 3.150    | 50        | 0.38   |
| 18    | COM180P1 | 85.00  | 3.346    | 50        | 0.40   |
| 19    | COM190P1 | 90.00  | 3.543    | 50        | 0.42   |
| 20    | COM200P1 | 95.00  | 3.740    | 50        | 0.45   |
| 21    | COM210P1 | 100.00 | 3.937    | 50        | 0.47   |
| 22    | COM220P1 | 105.00 | 4.134    | 50        | 0.49   |
| 23    | COM230P1 | 110.00 | 4.331    | 50        | 0.51   |
| 24    | COM240P1 | 115.00 | 4.528    | 50        | 0.54   |
| 25    | COM250P1 | 120.00 | 4.724    | 50        | 0.56   |

**COM\_0P3** Straight, Polarized Male  
7.5 mm / .295" Pitch Weight per pole: 0.05 g

| Poles | STD Code | L [mm] | L [inch] | Pcs/pack. | Weight |
|-------|----------|--------|----------|-----------|--------|
| 02    | COM020P3 | 7.50   | 0.295    | 400       | 0.40   |
| 03    | COM030P3 | 15.00  | 0.591    | 250       | 0.37   |
| 04    | COM040P3 | 22.50  | 0.886    | 200       | 0.40   |
| 05    | COM050P3 | 30.00  | 1.181    | 150       | 0.37   |
| 06    | COM060P3 | 37.50  | 1.476    | 125       | 0.37   |
| 07    | COM070P3 | 45.00  | 1.772    | 100       | 0.35   |
| 08    | COM080P3 | 52.50  | 2.067    | 75        | 0.30   |
| 09    | COM090P3 | 60.00  | 2.362    | 75        | 0.34   |
| 10    | COM100P3 | 67.50  | 2.657    | 75        | 0.37   |
| 11    | COM110P3 | 75.00  | 2.953    | 50        | 0.27   |
| 12    | COM120P3 | 82.50  | 3.248    | 50        | 0.30   |

**COM\_0P2** Straight, Polarized Male  
10 mm / .394" Pitch Weight per pole: 0.06 g

| Poles | STD Code | L [mm] | L [inch] | Pcs/pack. | Weight |
|-------|----------|--------|----------|-----------|--------|
| 02    | COM020P2 | 10.00  | 0.394    | 400       | 0.46   |
| 03    | COM030P2 | 20.00  | 0.787    | 250       | 0.43   |
| 04    | COM040P2 | 30.00  | 1.181    | 175       | 0.40   |
| 05    | COM050P2 | 40.00  | 1.575    | 125       | 0.36   |
| 06    | COM060P2 | 50.00  | 1.969    | 100       | 0.34   |
| 07    | COM070P2 | 60.00  | 2.362    | 75        | 0.30   |
| 08    | COM080P2 | 70.00  | 2.756    | 75        | 0.34   |
| 09    | COM090P2 | 80.00  | 3.150    | 50        | 0.26   |
| 10    | COM100P2 | 90.00  | 3.543    | 50        | 0.29   |
| 11    | COM110P2 | 100.00 | 3.937    | 50        | 0.31   |
| 12    | COM120P2 | 110.00 | 4.331    | 50        | 0.34   |
| 13    | COM130P2 | 120.00 | 4.724    | 50        | 0.37   |



**COM\_0P5** Straight, Polarized Male  
5.08 mm / .200" Pitch Weight per pole: 0.05 g

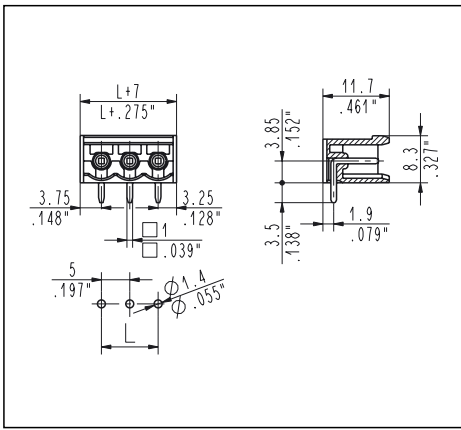
| Poles | STD Code | L [mm] | L [inch] | Pcs/pack. | Weight |
|-------|----------|--------|----------|-----------|--------|
| 02    | COM020P5 | 5.08   | 0.200    | 500       | 0.45   |
| 03    | COM030P5 | 10.16  | 0.400    | 400       | 0.54   |
| 04    | COM040P5 | 15.24  | 0.600    | 300       | 0.54   |
| 05    | COM050P5 | 20.32  | 0.800    | 250       | 0.56   |
| 06    | COM060P5 | 25.40  | 1.000    | 200       | 0.54   |
| 07    | COM070P5 | 30.48  | 1.200    | 175       | 0.55   |
| 08    | COM080P5 | 35.56  | 1.400    | 150       | 0.54   |
| 09    | COM090P5 | 40.64  | 1.600    | 125       | 0.50   |
| 10    | COM100P5 | 45.72  | 1.800    | 100       | 0.45   |
| 11    | COM110P5 | 50.80  | 2.000    | 100       | 0.49   |
| 12    | COM120P5 | 55.88  | 2.200    | 75        | 0.40   |
| 13    | COM130P5 | 60.96  | 2.400    | 75        | 0.44   |
| 14    | COM140P5 | 66.04  | 2.600    | 75        | 0.47   |
| 15    | COM150P5 | 71.12  | 2.800    | 75        | 0.50   |
| 16    | COM160P5 | 76.20  | 3.000    | 75        | 0.54   |
| 17    | COM170P5 | 81.28  | 3.200    | 50        | 0.38   |
| 18    | COM180P5 | 86.36  | 3.400    | 50        | 0.40   |
| 19    | COM190P5 | 91.44  | 3.600    | 50        | 0.42   |
| 20    | COM200P5 | 96.52  | 3.800    | 50        | 0.45   |
| 21    | COM210P5 | 101.60 | 4.000    | 50        | 0.47   |
| 22    | COM220P5 | 106.68 | 4.200    | 50        | 0.49   |
| 23    | COM230P5 | 111.76 | 4.400    | 50        | 0.51   |
| 24    | COM240P5 | 116.84 | 4.600    | 50        | 0.54   |
| 25    | COM250P5 | 121.92 | 4.800    | 50        | 0.56   |

**COM\_0P7** Straight, Polarized Male  
7.62 mm / .300" Pitch Weight per pole: 0.05 g

| Poles | STD Code | L [mm] | L [inch] | Pcs/pack. | Weight |
|-------|----------|--------|----------|-----------|--------|
| 02    | COM020P7 | 7.62   | 0.300    | 400       | 0.40   |
| 03    | COM030P7 | 15.24  | 0.600    | 250       | 0.37   |
| 04    | COM040P7 | 22.86  | 0.900    | 200       | 0.40   |
| 05    | COM050P7 | 30.48  | 1.200    | 150       | 0.37   |
| 06    | COM060P7 | 38.10  | 1.500    | 125       | 0.37   |
| 07    | COM070P7 | 45.72  | 1.800    | 100       | 0.35   |
| 08    | COM080P7 | 53.34  | 2.100    | 75        | 0.30   |
| 09    | COM090P7 | 60.96  | 2.400    | 75        | 0.34   |
| 10    | COM100P7 | 68.58  | 2.700    | 75        | 0.37   |
| 11    | COM110P7 | 76.20  | 3.000    | 50        | 0.27   |
| 12    | COM120P7 | 83.82  | 3.300    | 50        | 0.30   |

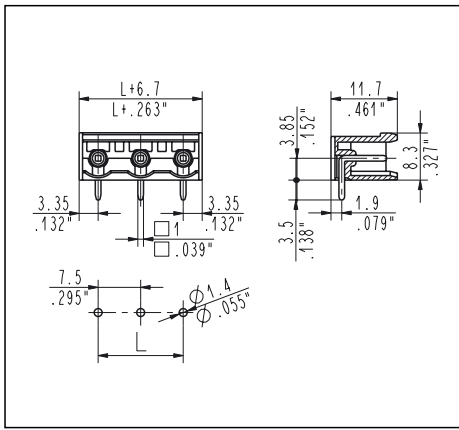
**COM\_0P6** Straight, Polarized Male  
10.16 mm / .400" Pitch Weight per pole: 0.06 g

| Poles | STD Code | L [mm] | L [inch] | Pcs/pack. | Weight |
|-------|----------|--------|----------|-----------|--------|
| 02    | COM020P6 | 10.16  | 0.400    | 400       | 0.46   |
| 03    | COM030P6 | 20.32  | 0.800    | 250       | 0.43   |
| 04    | COM040P6 | 30.48  | 1.200    | 175       | 0.40   |
| 05    | COM050P6 | 40.64  | 1.600    | 125       | 0.36   |
| 06    | COM060P6 | 50.80  | 2.000    | 100       | 0.34   |
| 07    | COM070P6 | 60.96  | 2.400    | 75        | 0.30   |
| 08    | COM080P6 | 71.12  | 2.800    | 75        | 0.34   |
| 09    | COM090P6 | 81.28  | 3.200    | 50        | 0.26   |
| 10    | COM100P6 | 91.44  | 3.600    | 50        | 0.29   |
| 11    | COM110P6 | 101.60 | 4.000    | 50        | 0.31   |
| 12    | COM120P6 | 111.76 | 4.400    | 50        | 0.34   |
| 13    | COM130P6 | 121.92 | 4.800    | 50        | 0.37   |



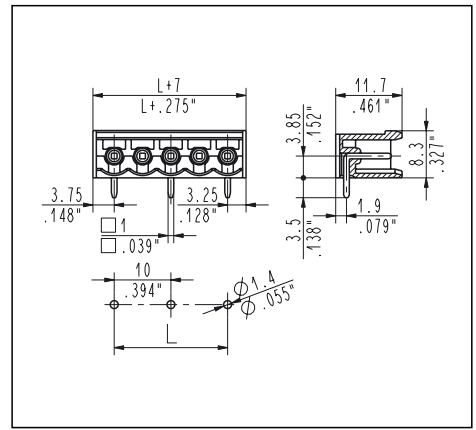
**COM\_9P1**  
5 mm / .197" Pitch **90°, Polarized Male**  
Weight per pole: 0.05 g

| Poles | STD Code | L [mm] | L [inch] | Pcs/pack. | Weight |
|-------|----------|--------|----------|-----------|--------|
| 02    | COM029P1 | 5.00   | 0.197    | 500       | 0.46   |
| 03    | COM039P1 | 10.00  | 0.394    | 400       | 0.55   |
| 04    | COM049P1 | 15.00  | 0.591    | 300       | 0.55   |
| 05    | COM059P1 | 20.00  | 0.787    | 250       | 0.57   |
| 06    | COM069P1 | 25.00  | 0.984    | 200       | 0.55   |
| 07    | COM079P1 | 30.00  | 1.181    | 175       | 0.56   |
| 08    | COM089P1 | 35.00  | 1.378    | 150       | 0.55   |
| 09    | COM099P1 | 40.00  | 1.575    | 125       | 0.51   |
| 10    | COM109P1 | 45.00  | 1.772    | 100       | 0.46   |
| 11    | COM119P1 | 50.00  | 1.969    | 100       | 0.50   |
| 12    | COM129P1 | 55.00  | 2.165    | 75        | 0.41   |
| 13    | COM139P1 | 60.00  | 2.362    | 75        | 0.45   |
| 14    | COM149P1 | 65.00  | 2.559    | 75        | 0.48   |
| 15    | COM159P1 | 70.00  | 2.756    | 75        | 0.51   |
| 16    | COM169P1 | 75.00  | 2.953    | 75        | 0.55   |
| 17    | COM179P1 | 80.00  | 3.150    | 50        | 0.39   |
| 18    | COM189P1 | 85.00  | 3.346    | 50        | 0.41   |
| 19    | COM199P1 | 90.00  | 3.543    | 50        | 0.43   |
| 20    | COM209P1 | 95.00  | 3.740    | 50        | 0.46   |
| 21    | COM219P1 | 100.00 | 3.937    | 50        | 0.48   |
| 22    | COM229P1 | 105.00 | 4.134    | 50        | 0.50   |
| 23    | COM239P1 | 110.00 | 4.331    | 50        | 0.53   |
| 24    | COM249P1 | 115.00 | 4.528    | 50        | 0.55   |
| 25    | COM259P1 | 120.00 | 4.724    | 50        | 0.57   |



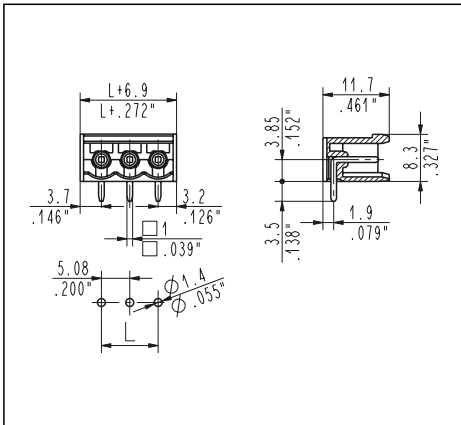
**COM\_9P3**  
7.5 mm / .295" Pitch **90°, Polarized Male**  
Weight per pole: 0.05 g

| Poles | STD Code | L [mm] | L [inch] | Pcs/pack. | Weight |
|-------|----------|--------|----------|-----------|--------|
| 02    | COM029P3 | 7.50   | 0.295    | 400       | 0.41   |
| 03    | COM039P3 | 15.00  | 0.591    | 250       | 0.38   |
| 04    | COM049P3 | 22.50  | 0.886    | 200       | 0.41   |
| 05    | COM059P3 | 30.00  | 1.181    | 150       | 0.38   |
| 06    | COM069P3 | 37.50  | 1.476    | 125       | 0.38   |
| 07    | COM079P3 | 45.00  | 1.772    | 100       | 0.36   |
| 08    | COM089P3 | 52.50  | 2.067    | 75        | 0.31   |
| 09    | COM099P3 | 60.00  | 2.362    | 75        | 0.34   |
| 10    | COM109P3 | 67.50  | 2.657    | 75        | 0.38   |
| 11    | COM119P3 | 75.00  | 2.953    | 50        | 0.28   |
| 12    | COM129P3 | 82.50  | 3.248    | 50        | 0.31   |



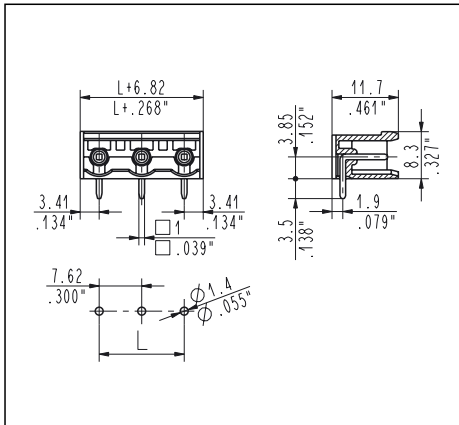
**COM\_9P2**  
10 mm / .394" Pitch **90°, Polarized Male**  
Weight per pole: 0.06 g

| Poles | STD Code | L [mm] | L [inch] | Pcs/pack. | Weight |
|-------|----------|--------|----------|-----------|--------|
| 02    | COM029P2 | 10.00  | 0.394    | 400       | 0.47   |
| 03    | COM039P2 | 20.00  | 0.787    | 250       | 0.44   |
| 04    | COM049P2 | 30.00  | 1.181    | 175       | 0.41   |
| 05    | COM059P2 | 40.00  | 1.575    | 125       | 0.36   |
| 06    | COM069P2 | 50.00  | 1.969    | 100       | 0.35   |
| 07    | COM079P2 | 60.00  | 2.362    | 75        | 0.31   |
| 08    | COM089P2 | 70.00  | 2.756    | 75        | 0.35   |
| 09    | COM099P2 | 80.00  | 3.150    | 50        | 0.26   |
| 10    | COM109P2 | 90.00  | 3.543    | 50        | 0.29   |
| 11    | COM119P2 | 100.00 | 3.937    | 50        | 0.32   |
| 12    | COM129P2 | 110.00 | 4.331    | 50        | 0.35   |
| 13    | COM139P2 | 120.00 | 4.724    | 50        | 0.38   |



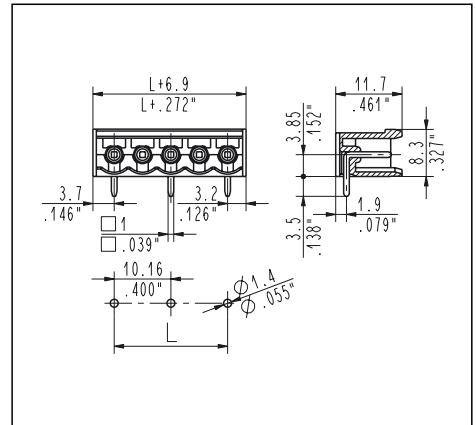
**COM\_9P5**  
5.08 mm / .205" Pitch **90°, Polarized Male**  
Weight per pole: 0.05 g

| Poles | STD Code | L [mm] | L [inch] | Pcs/pack. | Weight |
|-------|----------|--------|----------|-----------|--------|
| 02    | COM029P5 | 5.08   | 0.200    | 500       | 0.46   |
| 03    | COM039P5 | 10.16  | 0.400    | 400       | 0.55   |
| 04    | COM049P5 | 15.24  | 0.600    | 300       | 0.55   |
| 05    | COM059P5 | 20.32  | 0.800    | 250       | 0.57   |
| 06    | COM069P5 | 25.40  | 1.000    | 200       | 0.55   |
| 07    | COM079P5 | 30.48  | 1.200    | 175       | 0.56   |
| 08    | COM089P5 | 35.56  | 1.400    | 150       | 0.55   |
| 09    | COM099P5 | 40.64  | 1.600    | 125       | 0.51   |
| 10    | COM109P5 | 45.72  | 1.800    | 100       | 0.46   |
| 11    | COM119P5 | 50.80  | 2.000    | 100       | 0.50   |
| 12    | COM129P5 | 55.88  | 2.200    | 75        | 0.41   |
| 13    | COM139P5 | 60.96  | 2.400    | 75        | 0.45   |
| 14    | COM149P5 | 66.04  | 2.600    | 75        | 0.48   |
| 15    | COM159P5 | 71.12  | 2.800    | 75        | 0.51   |
| 16    | COM169P5 | 76.20  | 3.000    | 75        | 0.55   |
| 17    | COM179P5 | 81.28  | 3.200    | 50        | 0.39   |
| 18    | COM189P5 | 86.36  | 3.400    | 50        | 0.41   |
| 19    | COM199P5 | 91.44  | 3.600    | 50        | 0.43   |
| 20    | COM209P5 | 96.52  | 3.800    | 50        | 0.46   |
| 21    | COM219P5 | 101.60 | 4.000    | 50        | 0.48   |
| 22    | COM229P5 | 106.68 | 4.200    | 50        | 0.50   |
| 23    | COM239P5 | 111.76 | 4.400    | 50        | 0.53   |
| 24    | COM249P5 | 116.84 | 4.600    | 50        | 0.55   |
| 25    | COM259P5 | 121.92 | 4.800    | 50        | 0.57   |



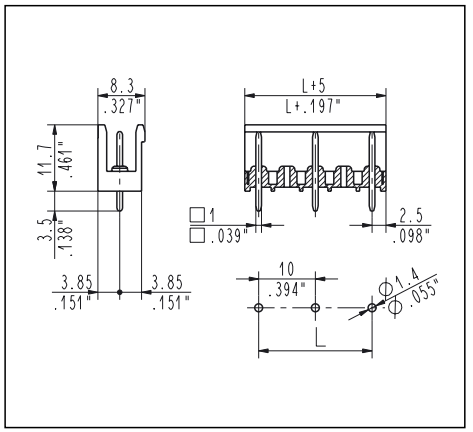
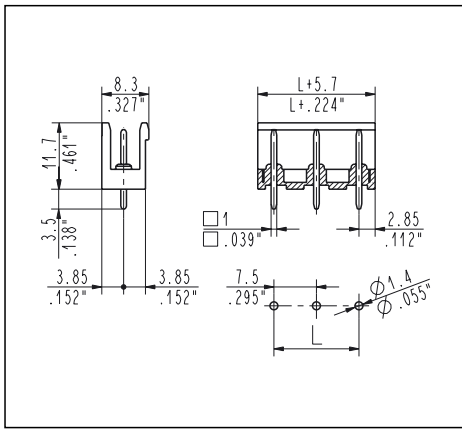
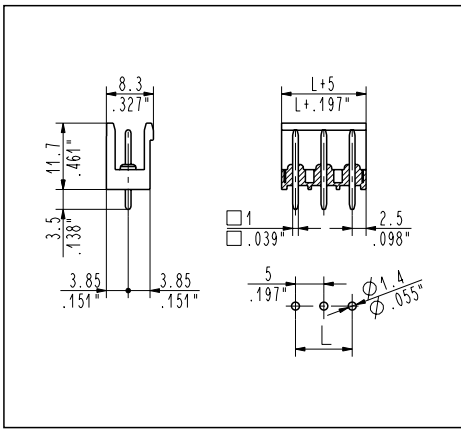
**COM\_9P7**  
7.62 mm / .300" Pitch **90°, Polarized Male**  
Weight per pole: 0.06 g

| Poles | STD Code | L [mm] | L [inch] | Pcs/pack. | Weight |
|-------|----------|--------|----------|-----------|--------|
| 02    | COM029P6 | 10.16  | 0.400    | 400       | 0.47   |
| 03    | COM039P6 | 20.32  | 0.800    | 250       | 0.44   |
| 04    | COM049P6 | 30.48  | 1.200    | 175       | 0.41   |
| 05    | COM059P6 | 40.64  | 1.600    | 125       | 0.36   |
| 06    | COM069P6 | 50.80  | 2.000    | 100       | 0.35   |
| 07    | COM079P6 | 60.96  | 2.400    | 75        | 0.31   |
| 08    | COM089P6 | 71.12  | 2.800    | 75        | 0.35   |
| 09    | COM099P6 | 81.28  | 3.200    | 50        | 0.26   |
| 10    | COM109P6 | 91.44  | 3.600    | 50        | 0.29   |
| 11    | COM119P6 | 101.60 | 4.000    | 50        | 0.32   |
| 12    | COM129P6 | 111.76 | 4.400    | 50        | 0.35   |
| 13    | COM139P6 | 121.92 | 4.800    | 50        | 0.38   |



**COM\_9P6**  
10.16 mm / .400" Pitch **90°, Polarized Male**  
Weight per pole: 0.05 g

| Poles | STD Code | L [mm] | L [inch] | Pcs/pack. | Weight |
|-------|----------|--------|----------|-----------|--------|
| 02    | COM029P7 | 7.62   | 0.300    | 400       | 0.41   |
| 03    | COM039P7 | 15.24  | 0.600    | 250       | 0.38   |
| 04    | COM049P7 | 22.86  | 0.900    | 200       | 0.41   |
| 05    | COM059P7 | 30.48  | 1.200    | 150       | 0.38   |
| 06    | COM069P7 | 38.10  | 1.500    | 125       | 0.38   |
| 07    | COM079P7 | 45.72  | 1.800    | 100       | 0.36   |
| 08    | COM089P7 | 53.34  | 2.100    | 75        | 0.31   |
| 09    | COM099P7 | 60.96  | 2.400    | 75        | 0.34   |
| 10    | COM109P7 | 68.58  | 2.700    | 75        | 0.38   |
| 11    | COM119P7 | 76.20  | 3.000    | 50        | 0.28   |
| 12    | COM129P7 | 83.82  | 3.300    | 50        | 0.31   |



**COM\_0A1** Straight, Side Stackable Male  
5 mm / .197" Pitch Weight per pole: 0.04 g

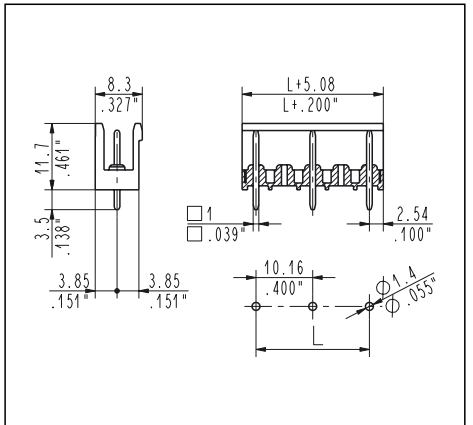
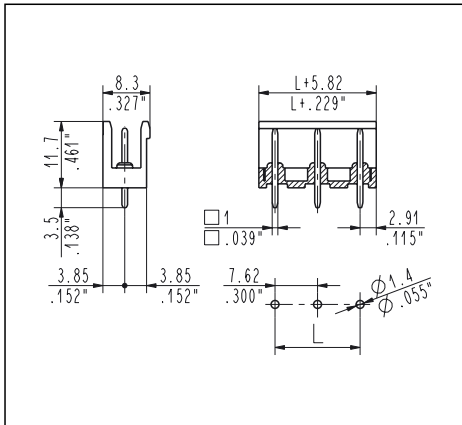
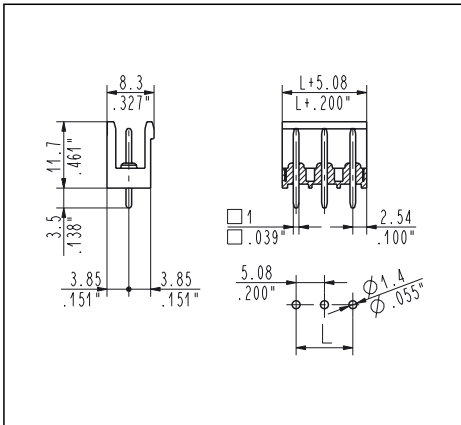
| Poles | STD Code | L [mm] | L [inch] | Pcs/pack. | Weight |
|-------|----------|--------|----------|-----------|--------|
| 02    | COM020A1 | 5.00   | 0.197    | 500       | 0.35   |
| 03    | COM030A1 | 10.00  | 0.394    | 400       | 0.42   |
| 04    | COM040A1 | 15.00  | 0.591    | 300       | 0.42   |
| 05    | COM050A1 | 20.00  | 0.787    | 250       | 0.44   |
| 06    | COM060A1 | 25.00  | 0.984    | 200       | 0.42   |
| 07    | COM070A1 | 30.00  | 1.181    | 175       | 0.43   |
| 08    | COM080A1 | 35.00  | 1.378    | 150       | 0.42   |
| 09    | COM090A1 | 40.00  | 1.575    | 125       | 0.40   |
| 10    | COM100A1 | 45.00  | 1.772    | 100       | 0.35   |
| 11    | COM110A1 | 50.00  | 1.969    | 100       | 0.39   |
| 12    | COM120A1 | 55.00  | 2.165    | 75        | 0.32   |
| 13    | COM130A1 | 60.00  | 2.362    | 75        | 0.34   |
| 14    | COM140A1 | 65.00  | 2.559    | 75        | 0.37   |
| 15    | COM150A1 | 70.00  | 2.756    | 75        | 0.40   |
| 16    | COM160A1 | 75.00  | 2.953    | 75        | 0.42   |
| 17    | COM170A1 | 80.00  | 3.150    | 50        | 0.30   |
| 18    | COM180A1 | 85.00  | 3.346    | 50        | 0.32   |
| 19    | COM190A1 | 90.00  | 3.543    | 50        | 0.34   |
| 20    | COM200A1 | 95.00  | 3.740    | 50        | 0.35   |
| 21    | COM210A1 | 100.00 | 3.937    | 50        | 0.37   |
| 22    | COM220A1 | 105.00 | 4.134    | 50        | 0.39   |
| 23    | COM230A1 | 110.00 | 4.331    | 50        | 0.41   |
| 24    | COM240A1 | 115.00 | 4.528    | 50        | 0.42   |

**COM\_0A3** Straight, Side Stackable Male  
7.5 mm / .295" Pitch Weight per pole: 0.05 g

| Poles | STD Code | L [mm] | L [inch] | Pcs/pack. | Weight |
|-------|----------|--------|----------|-----------|--------|
| 02    | COM020A3 | 7.50   | 0.295    | 400       | 0.37   |
| 03    | COM030A3 | 15.00  | 0.591    | 250       | 0.35   |
| 04    | COM040A3 | 22.50  | 0.886    | 200       | 0.37   |
| 05    | COM050A3 | 30.00  | 1.181    | 150       | 0.35   |
| 06    | COM060A3 | 37.50  | 1.476    | 125       | 0.35   |
| 07    | COM070A3 | 45.00  | 1.772    | 100       | 0.33   |
| 08    | COM080A3 | 52.50  | 2.067    | 75        | 0.28   |
| 09    | COM090A3 | 60.00  | 2.362    | 75        | 0.32   |
| 10    | COM100A3 | 67.50  | 2.657    | 75        | 0.35   |
| 11    | COM110A3 | 75.00  | 2.953    | 50        | 0.26   |
| 12    | COM120A3 | 82.50  | 3.248    | 50        | 0.28   |

**COM\_0A2** Straight, Side Stackable Male  
10 mm / .394" Pitch Weight per pole: 0.05 g

| Poles | STD Code | L [mm] | L [inch] | Pcs/pack. | Weight |
|-------|----------|--------|----------|-----------|--------|
| 02    | COM020A2 | 10.00  | 0.394    | 400       | 0.40   |
| 03    | COM030A2 | 20.00  | 0.787    | 250       | 0.37   |
| 04    | COM040A2 | 30.00  | 1.181    | 175       | 0.35   |
| 05    | COM050A2 | 40.00  | 1.575    | 125       | 0.31   |
| 06    | COM060A2 | 50.00  | 1.969    | 100       | 0.30   |
| 07    | COM070A2 | 60.00  | 2.362    | 75        | 0.26   |
| 08    | COM080A2 | 70.00  | 2.756    | 75        | 0.30   |
| 09    | COM090A2 | 80.00  | 3.150    | 50        | 0.22   |
| 10    | COM100A2 | 90.00  | 3.543    | 50        | 0.25   |
| 11    | COM110A2 | 100.00 | 3.937    | 50        | 0.27   |
| 12    | COM120A2 | 110.00 | 4.331    | 50        | 0.30   |
| 13    | COM130A2 | 120.00 | 4.724    | 50        | 0.32   |



**COM\_0A5** Straight, Side Stackable Male  
5.08 mm / .200" Pitch Weight per pole: 0.04 g

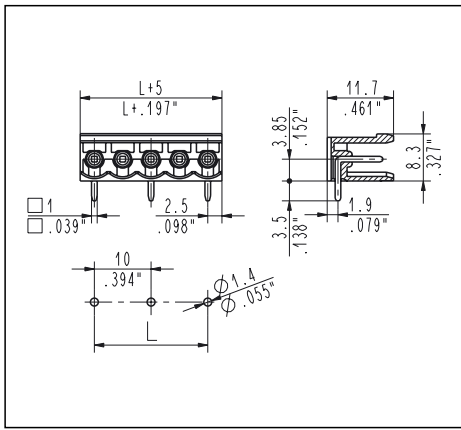
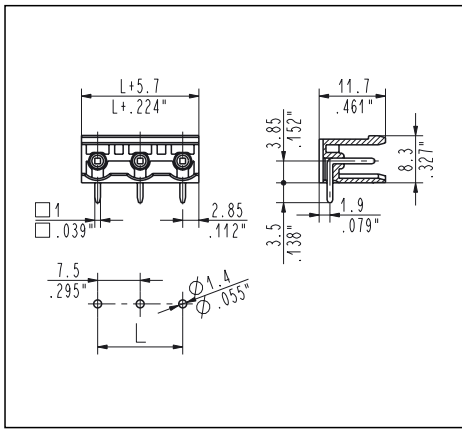
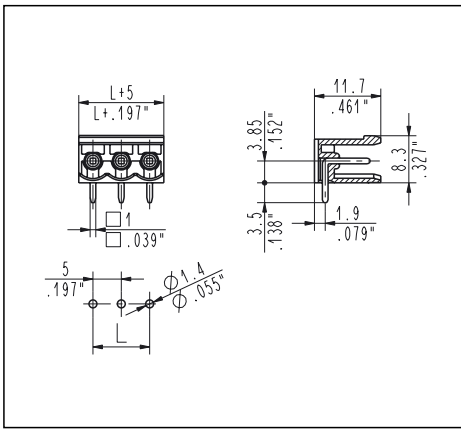
| Poles | STD Code | L [mm] | L [inch] | Pcs/pack. | Weight |
|-------|----------|--------|----------|-----------|--------|
| 02    | COM020A5 | 5.08   | 0.200    | 500       | 0.35   |
| 03    | COM030A5 | 10.16  | 0.400    | 400       | 0.42   |
| 04    | COM040A5 | 15.24  | 0.600    | 300       | 0.42   |
| 05    | COM050A5 | 20.32  | 0.800    | 250       | 0.44   |
| 06    | COM060A5 | 25.40  | 1.000    | 200       | 0.42   |
| 07    | COM070A5 | 30.48  | 1.200    | 175       | 0.43   |
| 08    | COM080A5 | 35.56  | 1.400    | 150       | 0.42   |
| 09    | COM090A5 | 40.64  | 1.600    | 125       | 0.40   |
| 10    | COM100A5 | 45.72  | 1.800    | 100       | 0.35   |
| 11    | COM110A5 | 50.80  | 2.000    | 100       | 0.39   |
| 12    | COM120A5 | 55.88  | 2.200    | 75        | 0.32   |
| 13    | COM130A5 | 60.96  | 2.400    | 75        | 0.34   |
| 14    | COM140A5 | 66.04  | 2.600    | 75        | 0.37   |
| 15    | COM150A5 | 71.12  | 2.800    | 75        | 0.40   |
| 16    | COM160A5 | 76.20  | 3.000    | 75        | 0.42   |
| 17    | COM170A5 | 81.28  | 3.200    | 50        | 0.30   |
| 18    | COM180A5 | 86.36  | 3.400    | 50        | 0.32   |
| 19    | COM190A5 | 91.44  | 3.600    | 50        | 0.34   |
| 20    | COM200A5 | 96.52  | 3.800    | 50        | 0.35   |
| 21    | COM210A5 | 101.60 | 4.000    | 50        | 0.37   |
| 22    | COM220A5 | 106.68 | 4.200    | 50        | 0.39   |
| 23    | COM230A5 | 111.76 | 4.400    | 50        | 0.41   |
| 24    | COM240A5 | 116.84 | 4.600    | 50        | 0.42   |

**COM\_0A7** Straight, Side Stackable Male  
7.62 mm / .300" Pitch Weight per pole: 0.05 g

| Poles | STD Code | L [mm] | L [inch] | Pcs/pack. | Weight |
|-------|----------|--------|----------|-----------|--------|
| 02    | COM020A7 | 7.62   | 0.300    | 400       | 0.37   |
| 03    | COM030A7 | 15.24  | 0.600    | 250       | 0.35   |
| 04    | COM040A7 | 22.86  | 0.900    | 200       | 0.37   |
| 05    | COM050A7 | 30.48  | 1.200    | 150       | 0.35   |
| 06    | COM060A7 | 38.10  | 1.500    | 125       | 0.35   |
| 07    | COM070A7 | 45.72  | 1.800    | 100       | 0.33   |
| 08    | COM080A7 | 53.34  | 2.100    | 75        | 0.28   |
| 09    | COM090A7 | 60.96  | 2.400    | 75        | 0.32   |
| 10    | COM100A7 | 68.58  | 2.700    | 75        | 0.35   |
| 11    | COM110A7 | 76.20  | 3.000    | 50        | 0.26   |
| 12    | COM120A7 | 83.82  | 3.300    | 50        | 0.28   |

**COM\_0A6** Straight, Side Stackable Male  
10.16 mm / .400" Pitch Weight per pole: 0.05 g

| Poles | STD Code | L [mm] | L [inch] | Pcs/pack. | Weight |
|-------|----------|--------|----------|-----------|--------|
| 02    | COM020A6 | 10.16  | 0.400    | 400       | 0.40   |
| 03    | COM030A6 | 20.32  | 0.800    | 250       | 0.37   |
| 04    | COM040A6 | 30.48  | 1.200    | 175       | 0.35   |
| 05    | COM050A6 | 40.64  | 1.600    | 125       | 0.31   |
| 06    | COM060A6 | 50.80  | 2.000    | 100       | 0.30   |
| 07    | COM070A6 | 60.96  | 2.400    | 75        | 0.26   |
| 08    | COM080A6 | 71.12  | 2.800    | 75        | 0.30   |
| 09    | COM090A6 | 81.28  | 3.200    | 50        | 0.22   |
| 10    | COM100A6 | 91.44  | 3.600    | 50        | 0.25   |
| 11    | COM110A6 | 101.60 | 4.000    | 50        | 0.27   |
| 12    | COM120A6 | 111.76 | 4.400    | 50        | 0.30   |
| 13    | COM130A6 | 121.92 | 4.800    | 50        | 0.32   |



**COM\_9A1** 90°, Side Stackable Male  
5 mm / .197" Pitch Weight per pole: 0.04 g

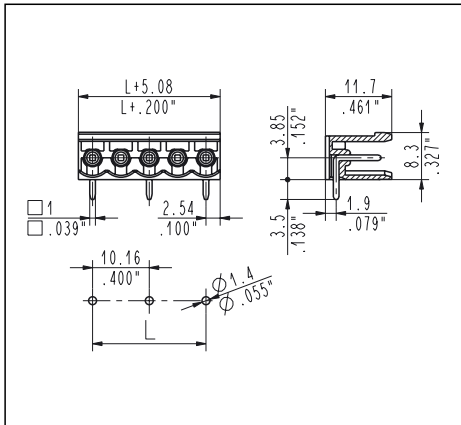
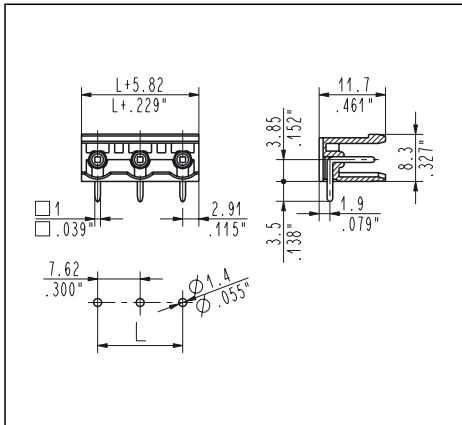
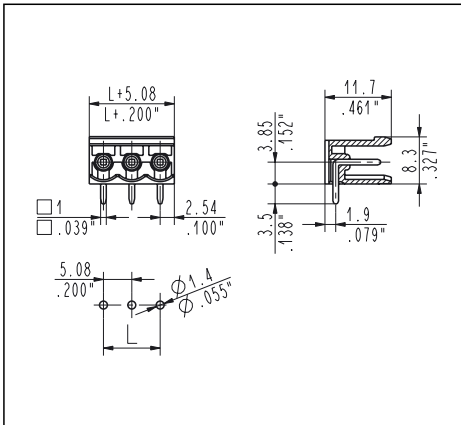
| Poles | STD Code | L [mm] | L [inch] | Pcs/pack. | Weight |
|-------|----------|--------|----------|-----------|--------|
| 02    | COM029A1 | 5.00   | 0.197    | 500       | 0.36   |
| 03    | COM039A1 | 10.00  | 0.394    | 400       | 0.44   |
| 04    | COM049A1 | 15.00  | 0.591    | 300       | 0.44   |
| 05    | COM059A1 | 20.00  | 0.787    | 250       | 0.46   |
| 06    | COM069A1 | 25.00  | 0.984    | 200       | 0.44   |
| 07    | COM079A1 | 30.00  | 1.181    | 175       | 0.45   |
| 08    | COM089A1 | 35.00  | 1.378    | 150       | 0.44   |
| 09    | COM099A1 | 40.00  | 1.575    | 125       | 0.41   |
| 10    | COM109A1 | 45.00  | 1.772    | 100       | 0.36   |
| 11    | COM119A1 | 50.00  | 1.969    | 100       | 0.40   |
| 12    | COM129A1 | 55.00  | 2.165    | 75        | 0.33   |
| 13    | COM139A1 | 60.00  | 2.362    | 75        | 0.35   |
| 14    | COM149A1 | 65.00  | 2.559    | 75        | 0.38   |
| 15    | COM159A1 | 70.00  | 2.756    | 75        | 0.41   |
| 16    | COM169A1 | 75.00  | 2.953    | 75        | 0.44   |
| 17    | COM179A1 | 80.00  | 3.150    | 50        | 0.31   |
| 18    | COM189A1 | 85.00  | 3.346    | 50        | 0.33   |
| 19    | COM199A1 | 90.00  | 3.543    | 50        | 0.35   |
| 20    | COM209A1 | 95.00  | 3.740    | 50        | 0.36   |
| 21    | COM219A1 | 100.00 | 3.937    | 50        | 0.38   |
| 22    | COM229A1 | 105.00 | 4.134    | 50        | 0.40   |
| 23    | COM239A1 | 110.00 | 4.331    | 50        | 0.42   |
| 24    | COM249A1 | 115.00 | 4.528    | 50        | 0.44   |
| 25    | COM259A1 | 120.00 | 4.724    | 50        | 0.46   |

**COM\_9A3** 90°, Side Stackable Male  
7.5 mm / .295" Pitch Weight per pole: 0.05 g

| Poles | STD Code | L [mm] | L [inch] | Pcs/pack. | Weight |
|-------|----------|--------|----------|-----------|--------|
| 02    | COM029A3 | 7.50   | 0.295    | 400       | 0.38   |
| 03    | COM039A3 | 15.00  | 0.591    | 250       | 0.36   |
| 04    | COM049A3 | 22.50  | 0.886    | 200       | 0.38   |
| 05    | COM059A3 | 30.00  | 1.181    | 150       | 0.36   |
| 06    | COM069A3 | 37.50  | 1.476    | 125       | 0.36   |
| 07    | COM079A3 | 45.00  | 1.772    | 100       | 0.33   |
| 08    | COM089A3 | 52.50  | 2.067    | 75        | 0.29   |
| 09    | COM099A3 | 60.00  | 2.362    | 75        | 0.32   |
| 10    | COM109A3 | 67.50  | 2.657    | 75        | 0.36   |
| 11    | COM119A3 | 75.00  | 2.953    | 50        | 0.26   |
| 12    | COM129A3 | 82.50  | 3.248    | 50        | 0.29   |

**COM\_9A2** 90°, Side Stackable Male  
10 mm / .394" Pitch Weight per pole: 0.06 g

| Poles | STD Code | L [mm] | L [inch] | Pcs/pack. | Weight |
|-------|----------|--------|----------|-----------|--------|
| 02    | COM029A2 | 10.00  | 0.394    | 400       | 0.42   |
| 03    | COM039A2 | 20.00  | 0.787    | 250       | 0.39   |
| 04    | COM049A2 | 30.00  | 1.181    | 175       | 0.36   |
| 05    | COM059A2 | 40.00  | 1.575    | 125       | 0.33   |
| 06    | COM069A2 | 50.00  | 1.969    | 100       | 0.31   |
| 07    | COM079A2 | 60.00  | 2.362    | 75        | 0.27   |
| 08    | COM089A2 | 70.00  | 2.756    | 75        | 0.31   |
| 09    | COM099A2 | 80.00  | 3.150    | 50        | 0.23   |
| 10    | COM109A2 | 90.00  | 3.543    | 50        | 0.26   |
| 11    | COM119A2 | 100.00 | 3.937    | 50        | 0.29   |
| 12    | COM129A2 | 110.00 | 4.331    | 50        | 0.31   |
| 13    | COM139A2 | 120.00 | 4.724    | 50        | 0.34   |



**COM\_9A5** 90°, Side Stackable Male  
5.08 mm / .200" Pitch Weight per pole: 0.04 g

| Poles | STD Code | L [mm] | L [inch] | Pcs/pack. | Weight |
|-------|----------|--------|----------|-----------|--------|
| 02    | COM029A5 | 5.08   | 0.200    | 500       | 0.36   |
| 03    | COM039A5 | 10.16  | 0.400    | 400       | 0.44   |
| 04    | COM049A5 | 15.24  | 0.600    | 300       | 0.44   |
| 05    | COM059A5 | 20.32  | 0.800    | 250       | 0.46   |
| 06    | COM069A5 | 25.40  | 1.000    | 200       | 0.44   |
| 07    | COM079A5 | 30.48  | 1.200    | 175       | 0.45   |
| 08    | COM089A5 | 35.56  | 1.400    | 150       | 0.44   |
| 09    | COM099A5 | 40.64  | 1.600    | 125       | 0.41   |
| 10    | COM109A5 | 45.72  | 1.800    | 100       | 0.36   |
| 11    | COM119A5 | 50.80  | 2.000    | 100       | 0.40   |
| 12    | COM129A5 | 55.88  | 2.200    | 75        | 0.33   |
| 13    | COM139A5 | 60.96  | 2.400    | 75        | 0.35   |
| 14    | COM149A5 | 66.04  | 2.600    | 75        | 0.38   |
| 15    | COM159A5 | 71.12  | 2.800    | 75        | 0.41   |
| 16    | COM169A5 | 76.20  | 3.000    | 75        | 0.44   |
| 17    | COM179A5 | 81.28  | 3.200    | 50        | 0.31   |
| 18    | COM189A5 | 86.36  | 3.400    | 50        | 0.33   |
| 19    | COM199A5 | 91.44  | 3.600    | 50        | 0.35   |
| 20    | COM209A5 | 96.52  | 3.800    | 50        | 0.36   |
| 21    | COM219A5 | 101.60 | 4.000    | 50        | 0.38   |
| 22    | COM229A5 | 106.68 | 4.200    | 50        | 0.40   |
| 23    | COM239A5 | 111.76 | 4.400    | 50        | 0.42   |
| 24    | COM249A5 | 116.84 | 4.600    | 50        | 0.44   |
| 25    | COM259A5 | 121.92 | 4.800    | 50        | 0.46   |

**COM\_9A7** 90°, Side Stackable Male  
7.62 mm / .300" Pitch Weight per pole: 0.05 g

| Poles | STD Code | L [mm] | L [inch] | Pcs/pack. | Weight |
|-------|----------|--------|----------|-----------|--------|
| 02    | COM029A7 | 7.62   | 0.300    | 400       | 0.38   |
| 03    | COM039A7 | 15.24  | 0.600    | 250       | 0.36   |
| 04    | COM049A7 | 22.86  | 0.900    | 200       | 0.38   |
| 05    | COM059A7 | 30.48  | 1.200    | 150       | 0.36   |
| 06    | COM069A7 | 38.10  | 1.500    | 125       | 0.36   |
| 07    | COM079A7 | 45.72  | 1.800    | 100       | 0.33   |
| 08    | COM089A7 | 53.34  | 2.100    | 75        | 0.29   |
| 09    | COM099A7 | 60.96  | 2.400    | 75        | 0.32   |
| 10    | COM109A7 | 68.58  | 2.700    | 75        | 0.36   |
| 11    | COM119A7 | 76.20  | 3.000    | 50        | 0.26   |
| 12    | COM129A7 | 83.82  | 3.300    | 50        | 0.29   |

**COM\_9A6** 90°, Side Stackable Male  
10.16 mm / .400" Pitch Weight per pole: 0.06 g

| Poles | STD Code | L [mm] | L [inch] | Pcs/pack. | Weight |
|-------|----------|--------|----------|-----------|--------|
| 02    | COM029A6 | 10.16  | 0.400    | 400       | 0.42   |
| 03    | COM039A6 | 20.32  | 0.800    | 250       | 0.39   |
| 04    | COM049A6 | 30.48  | 1.200    | 175       | 0.36   |
| 05    | COM059A6 | 40.64  | 1.600    | 125       | 0.33   |
| 06    | COM069A6 | 50.80  | 2.000    | 100       | 0.31   |
| 07    | COM079A6 | 60.96  | 2.400    | 75        | 0.27   |
| 08    | COM089A6 | 71.12  | 2.800    | 75        | 0.31   |
| 09    | COM099A6 | 81.28  | 3.200    | 50        | 0.23   |
| 10    | COM109A6 | 91.44  | 3.600    | 50        | 0.26   |
| 11    | COM119A6 | 101.60 | 4.000    | 50        | 0.29   |
| 12    | COM129A6 | 111.76 | 4.400    | 50        | 0.31   |
| 13    | COM139A6 | 121.92 | 4.800    | 50        | 0.34   |