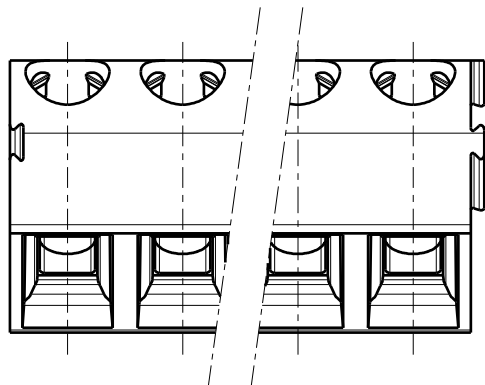
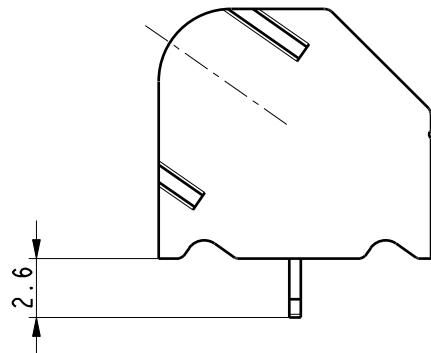
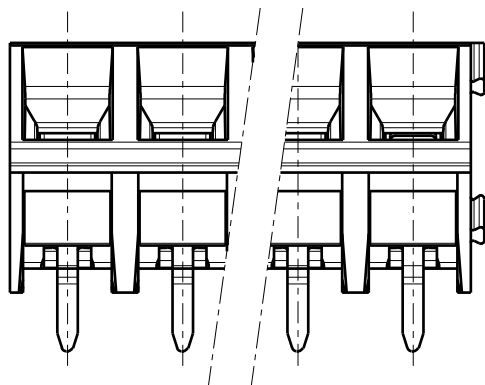


Rev.	Descrizione/Description	Data/Date	Firma/Sign.



NOTE:
 COLORE CORPO PLASTICA: VERDE (SIMILE A RAL 6032)
 HOUSING COLOR: GREEN (SIMILAR TO RAL 6032)

CODICE
PN

MSBH _ _ 045 - 0V

-	KIT:	-	PASSO/PITCH:	-
-	-	-	5.08	-
FOGLIO/SHEET:	DIS. N°/DRAW. N°:	FIRMA/SIGNATURE:	DATA/DATE:	
1/1	MSBH _ _ 045-0V	Pavanello	22-Sep-05	

