

CURRENT SENSE TRANSFORMERS

FIS 1X5 Series



- Current sense transformers provide output feedback to the pulse control circuitry allowing low-cost regulation of switch-mode power supplies
- Fully encapsulated construction
- Isolation primary to secondary: 4000V AC
- 25A maximum primary current, 500kHz maximum frequency
- Applications: switch-mode power supplies, lighting, switch controls

Electrical Specifications @ 25°C

Part No.	RoHS Compliant Part No.	Prim/Sec Ratio	Sec L (mH MIN)	Sec DCR (Ω MAX)	V x τ (MAX)
FIS105	FIS105NL	1:50	4.7	0.5	175 μVS
FIS115	FIS115NL	1:100	18	2.0	350 μVS
FIS125	FIS125NL	1:200	76	4.5	700 μVS
FIS155	FIS155NL	1:500	470	16.0	1750 μVS
FIS1105	-	1:1000	1900	50.0	3500 μVS

NOTES:

L: Inductance: (2-1) tested at 10kHz & 10mV

R_t (Ω): Recommended Terminating Resistance

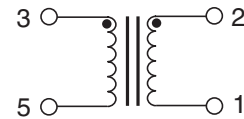
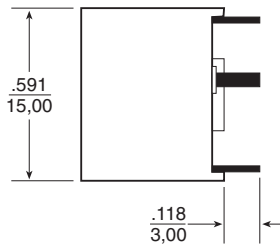
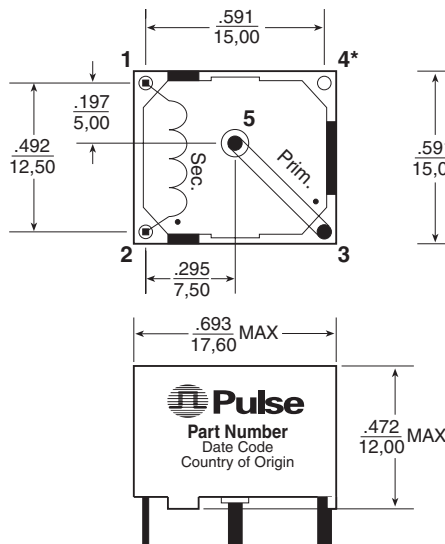
V x τ: V = R_t x I_s

$$\tau = \frac{1}{2F}$$

I_s (A): Sec. Current F(Hz): Frequency

Mechanical

Schematic



- Pins 3 & 5 ∅ 1,2 mm
- Pins 1 & 2 □ 0,5 mm
- Stand off

	FIS105/15/25/55	FIS1105
Weight	7.0 grams	8.0 grams
Tray	30/tray	34/tray
Dimensions: $\frac{\text{Inches}}{\text{mm}}$		
Unless otherwise specified, all tolerances are ± $\frac{.020}{0,50}$		

For More Information:

Pulse Worldwide Headquarters

12220 World Trade Dr.
San Diego, CA 92128
U.S.A.

www.pulseeng.com

TEL: 858 674 8100
FAX: 858 674 8262

Pulse Europe

Einsteinstrasse 1
D-71083 Herrenberg
Germany

Tel: 49 7032 7806 116
Fax: 49 7032 7806 135

Pulse China Headquarters

No. 1
Industrial District
Changan, Dongguan
China

Tel: 86 769 85538070
Fax: 86 769 85538870

Pulse North China

Room 1503
XinYin Building
No. 888 YiShan Rd.
Shanghai 200233
China

Tel: 86 21 54643211/2
Fax: 86 21 54643210

Pulse South Asia

150 Kampong Ampat
#07-01/02
KA Centre
Singapore 368324

Tel: 65 6287 8998
Fax: 65 6280 0080

Pulse North Asia

No. 26
Kao Ching Rd.
Yang Mei Chen
Taoyuan Hsien
Taiwan, R. O. C.

Tel: 886 3 4641811
Fax: 886 3 4641911

Performance warranty of products offered on this data sheet is limited to the parameters specified. Data is subject to change without notice. Other brand and product names mentioned herein may be trademarks or registered trademarks of their respective owners.

© Copyright, 2006. Pulse Engineering, Inc. All rights reserved.

www.pulseeng.com

P537.A (8/06)