

**ELECTRICAL CHAR.**

- 1.Current Rating : 1,5A Max
- 2.Voltage Rating : 120V AC
- 3.Insulation Resistance: 500MΩ Min.
- 4.Contact Resistance : 20mΩ Max.
- 5.Dielectric Voltage : 1000 Vrms 60 Sec. Min

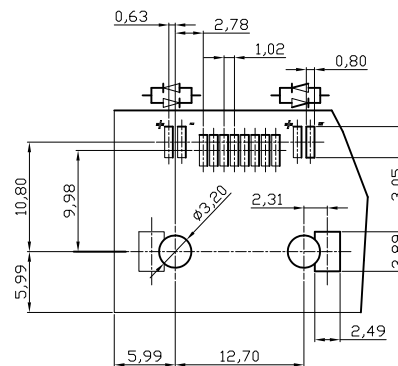
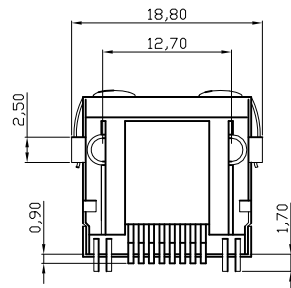
**PHYSICAL CHAR.**

- 1.Housing: Nylon(UL94V-0),Soldering Temperature: 260°C
- 2.Color : Black Color
- 3.Spring Wire : 0.35mm Thickness Phosphor bronze Gold Plating Over Nickel  
AMJ-188-0011100 : 6μ"  
AMJ-188-0011300 : 30μ"
- 4.Shielded : Brass Plating Nickel

**ENVIRONMENTAL**


- 1.Temperature Range: -40°C to +85°C
- 2.Durability : 500 Mating cycles Min.

PACKING: Tray (90pcs)



PCB Layout  
(Top View)

**RoHS compliant**

Scale	1:1						Date	Name	Customer-No.
TOLERANCE						Drawn	13.09.2006	Dean	
.XX	±0.25					Approved	15.07.2009	Hellwig	ASSMANN WSW-No. AMJ-188-0011100-GY AMJ-188-0011300-GY
.XXX	±0.13	③	Add part number for 30u" plating	15.07.09	Rale				
.XXXX	±0.05	②	Update	20.05.08	N.Schulz				
DIM	TOL	①	Drawn	13.09.06	Hellwig				
Angle	+0°30'								
X.X°	±X°								Drawing-No. ASS 0895 CO rev03
Angle	TOL	Id.	Modification	Date	Name				Replace Sheet