

PSB

Functional Characteristics



Dimensional Class:
Low



Standard Colour:
Green



Heights:
28 mm, 19 mm, 10 mm
(1.102 in, .748 in, .394 in)



Max Approved Wire sections:
Solid: 1.5 mm² (IMQ); 15 AWG (CSA)
Stranded: 1 mm² (IMQ); 15 AWG (CSA)
Clamp Opening Size:
2.5 x 1.7 mm (.098 x .067 in)



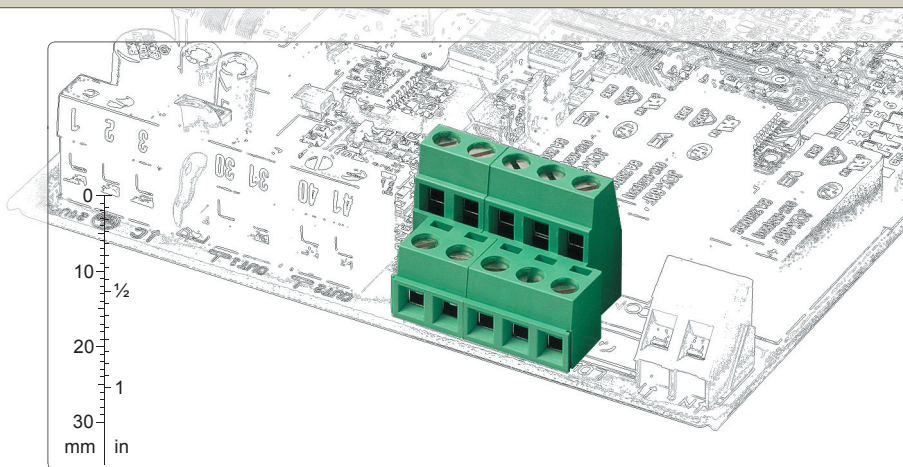
Versions:
Modular,
Single Mould Poles:
from 2 to 3 (Modular)



Pitches:
Metric 5 mm, 10 mm
(.197 in, .394 in)



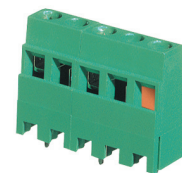
Imperial 5.08 mm, 10.16 mm
(.200 in, .400 in)



pitch 5/5.08 mm
from 2 to 3 poles
1st and 2nd level, modular



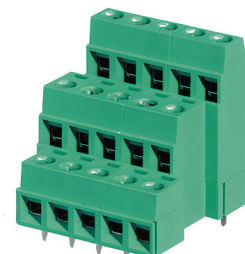
pitch 5/5.08 mm
from 2 to 3 poles
2nd and 3rd level, modular



pitch 5/5.08 mm
from 2 to 3 poles
middle tower, modular



pitch 5/5.08 mm
from 2 to 3 poles
high tower, modular



pitch 5/5.08 mm
from 2 to 3 poles
three levels, modular

Pat.



available accessories:
from 2 to 9 poles
BSC for rising clamp

Brief Description

The PSB multi-level terminal block series called "PLURIMA" represents the most advanced solution as far as compactness of the wire and connections to the PCBs is concerned.

The arrangement of the poles on 2 or 3 staggered levels guarantees **maximum accessibility and good visibility of the connection points**.

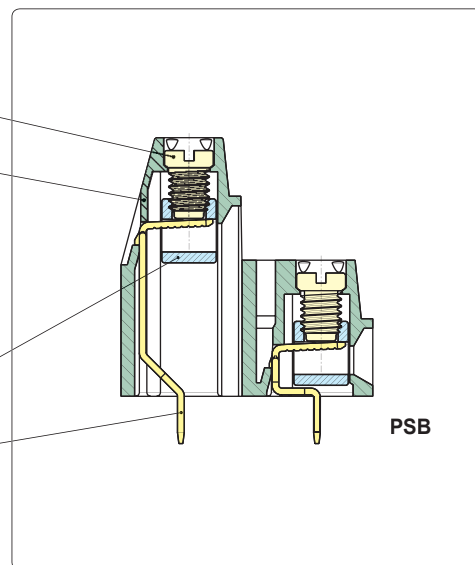
The PSB series is available in metric pitches from 5 mm (.197 in) and from 10 mm (.394 in) and in Imperial pitches from 5.08 mm (.200 in) and from 10.16 mm (.400 in), in modular housing from 2 to 3 poles, with insertion of the parallel to the PCB.

The 2 or 3 level blocks can be combined with one another, both with the High and Medium Towers, and also with the MSB series in countless and different geometric configurations. By taking advantage of this particular characteristic a minimum stock of basic terminal blocks can be kept.

It is simple to manage the product, the warehouse and the assembly with the Kit packages because several versions can be received with only one code, the part-numbers are significantly reduced and the risk of making mistakes is also reduced.

Characteristics of Components

- M3 nickel plated Copper Alloy Screw.
- PA 6.6.Polyamide Housing.
Standard Colour: GREEN.
V0 Self-extinguishing according to UL 94.
Chlorinated solvents resistant,
with no Phosphor, Dioxin or
dentrimental to health Halogens.
- Nickel plated Copper Alloy Clamp
- Easy to solder lead-free
tin-plated Copper Alloy Pin.



Mechanical Characteristics

Recommended/Highest tightening torque	0.5/0.6 Nm (4.42/5.31 lbf in)
PCB Thickness:	max. 2.4 mm (.094 in)
PCB Hole Diameter:	min. 1.1 mm (.043 in)
Stripping length	5 ÷ 6 mm (.197 ÷ .24 in)
Operating temperature range	-40 °C ÷ +110 °C (-40 °F ÷ +230 °F)
Climatic category	40/110/21 According to EN 60068-1

Electric Characteristics*

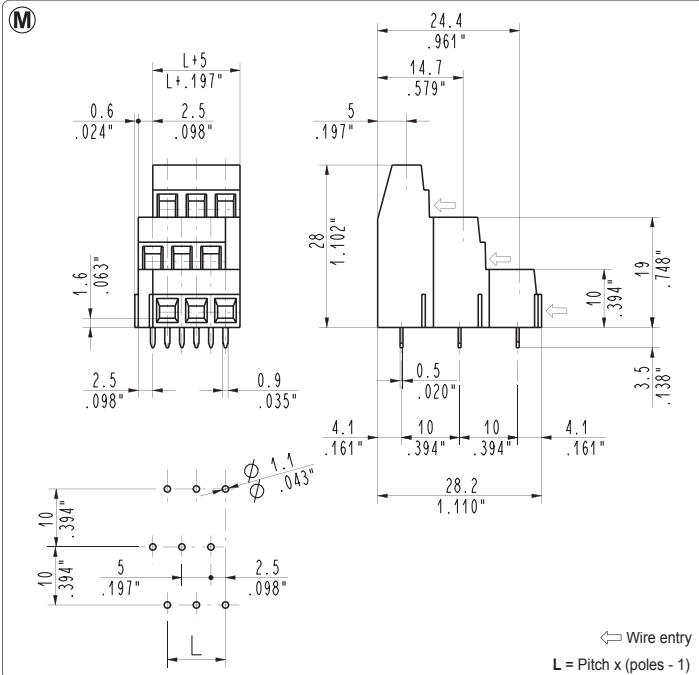
Solid wire section	30÷15 AWG (CSA)* 0.05 ÷ 1.5 mm ² (IMQ)*
Stranded wire section	30÷15 AWG (CSA)* 0.05 ÷ 1 mm ² (IMQ)*
Rated voltage for 5 mm (.197 in) and 5.08 mm (.200 in)	300 V (UL, CSA)*
Rated voltage for 10 mm (.394 in) and 10.16 mm (.400 in)	750 V (IMQ)*
Rated current	17.5 A (IMQ)*
Contact resistance	<15 mΩ
Insulation resistance	>10 ⁹ Ω (500V DC)

*All the a.m. data refer to the highest values amongst the certificated ones.
V voltage, I current values and tightening torque are related to the norms to be applied to the product and to its use.

Approvals

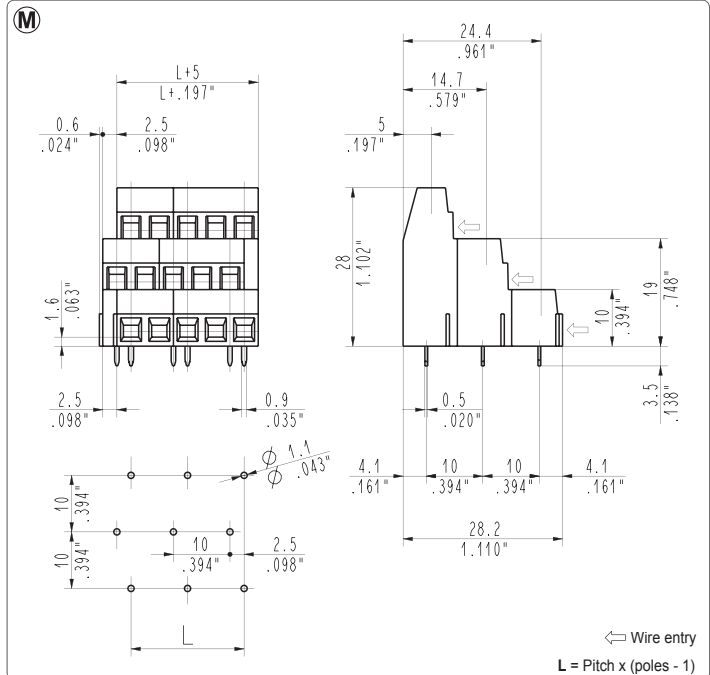
	CE:	250 V - T 110 - 17.5 A - 1.5 mm ² solid (13.5 A - 1 mm ² stranded) for 5 mm and 5.08 mm pitch 750 V - T 110 - 17.5 A - 1.5 mm ² solid (13.5 A - 1 mm ² stranded) for 10 mm and 10.16 mm pitch
	UL: File E167473	300 V - 13.5 A (Factory Wiring), 10A (Field Wiring)- 30÷16 AWG for 5 mm, 5.08 mm 600 V - 13.5 A (Factory Wiring), 10A (Field Wiring)- 30÷16 AWG for 10 mm and 10.16 mm pitch Application values for end-use equipment have to be in accordance to UL norms and applicable to it.
	CSA: File LR 102896	300 V - 13.5 A - 30÷15 AWG for 5 mm, 5.08 mm pitch 600 V - 13.5 A - 30÷15 AWG for 10 mm and 10.16 mm pitch
	VDE: Reg. N. 5659 ÜG	250 V - 13.5 A (10 A for "T" and "K" versions) - T 110 - 1 mm ² for 5 mm and 5.08 mm pitch 750 V - 13.5 A - T 110 - 1 mm ² for 10 mm and 10.16 mm pitch
	IMQ: File: ED624	250 V - T 110 - 17.5 A - 1.5 mm ² solid (13.5 A - 1 mm ² stranded) for 5 mm and 5.08 mm pitch 750 V - T 110 - 17.5 A - 1.5 mm ² solid (13.5 A - 1 mm ² stranded) for 10 mm and 10.16 mm pitch

See also "Certifications of Products", page 14



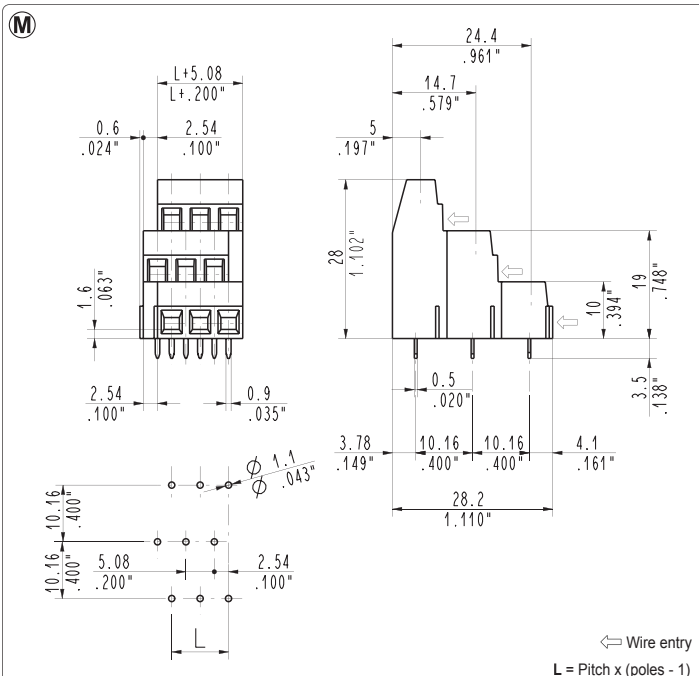
PSB_0T1 3 Levels Modular
5 mm / .197" Pitch Weight per pole: 1.31 g

Single Mould Terminal Blocks					
Poles	STD Code	Pcs/pack.	W [kg]*	Pcs/ind.**	W [kg]*
02	PSB020T1	75	0,59	500	3,93
03	PSB030T1	50	0,59	500	5,90



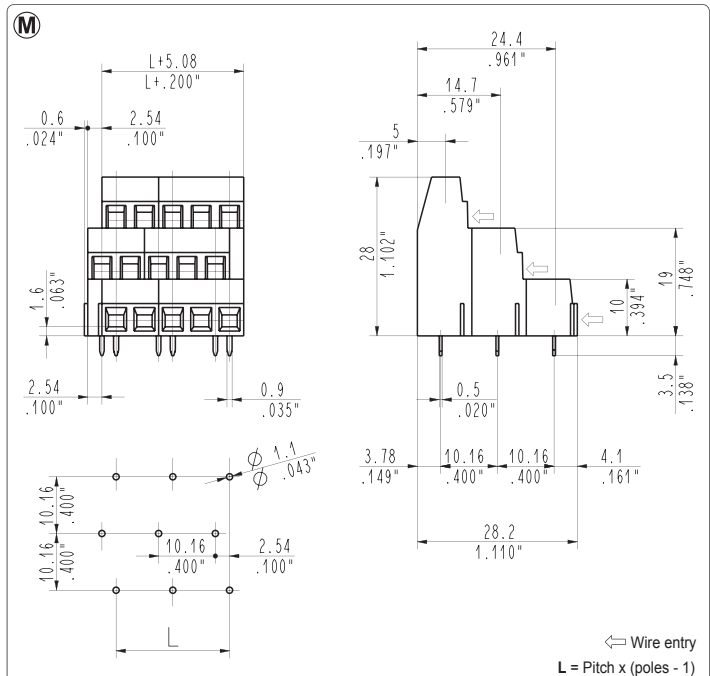
PSB_0T2 3 Levels Modular
10 mm / .394" Pitch Weight per pole: 1.53 g

Assembled Terminal Blocks					
Poles	STD Code	Pcs/pack.	W [kg]*	Pcs/ind.**	W [kg]*
01	PSB010T2	75	0,34	500	2,30
02	PSB020T2	50	0,46	500	4,59
03	PSB030T2	55	0,76	250	3,44
04	PSB040T2	40	0,73	250	4,59
05	PSB050T2	30	0,69	150	3,44
06	PSB060T2	20	0,55	100	2,75
07	PSB070T2	15	0,48	75	2,41
08	PSB080T2	15	0,55	75	2,75
09	PSB090T2	10	0,41	50	2,07
10	PSB100T2	10	0,46	50	2,30
11	PSB110T2	10	0,51	50	2,52
12	PSB120T2	10	0,55	50	2,75
13	PSB130T2	8	0,48	50	2,98



PSB_0T5 3 Levels Modular
5.08 mm / .200" Pitch Weight per pole: 1.31 g

Single Mould Terminal Blocks					
Poles	STD Code	Pcs/pack.	W [kg]*	Pcs/ind.**	W [kg]*
02	PSB020T5	75	0,59	500	3,93
03	PSB030T5	50	0,59	500	5,90

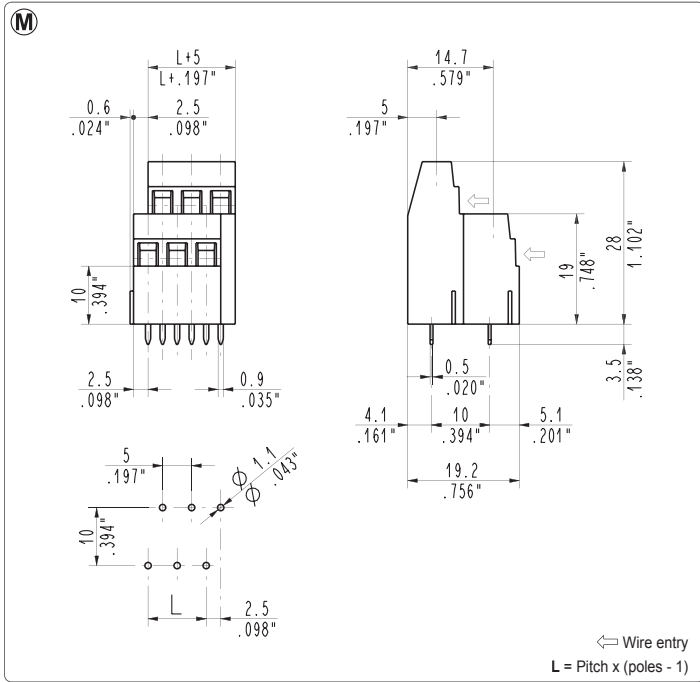


PSB_0T6 3 Levels Modular
10.16 mm / .400" Pitch Weight per pole: 1.53 g

Assembled Terminal Blocks					
Poles	STD Code	Pcs/pack.	W [kg]*	Pcs/ind.**	W [kg]*
01	PSB010T6	75	0,34	500	2,30
02	PSB020T6	50	0,46	500	4,59
03	PSB030T6	55	0,76	250	3,44
04	PSB040T6	40	0,73	250	4,59
05	PSB050T6	30	0,69	150	3,44
06	PSB060T6	20	0,55	100	2,75
07	PSB070T6	15	0,48	75	2,41
08	PSB080T6	15	0,55	75	2,75
09	PSB090T6	10	0,41	50	2,07
10	PSB100T6	10	0,46	50	2,30
11	PSB110T6	10	0,51	50	2,52
12	PSB120T6	10	0,55	50	2,75
13	PSB130T6	8	0,48	50	2,98

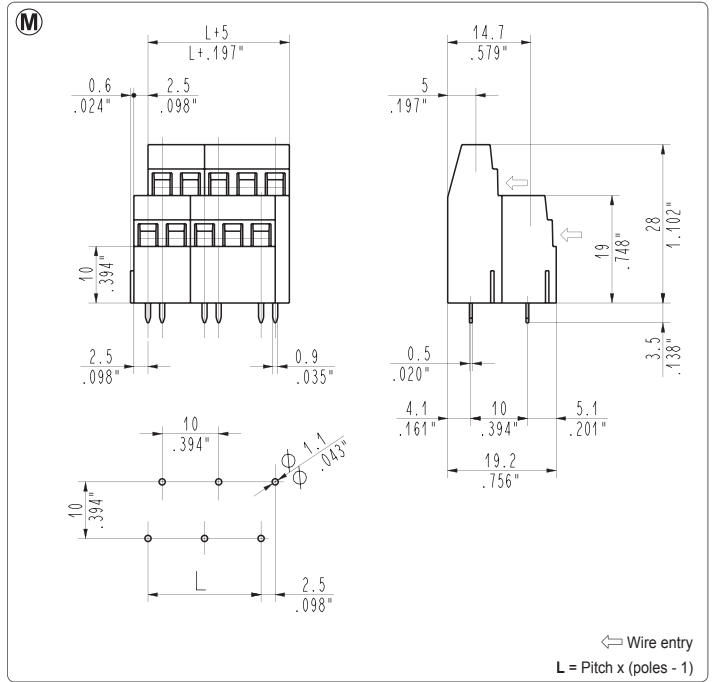
*W [kg]: Approximate Weight per box in kg

**Industrial packaging: add "-00000E" at standard code



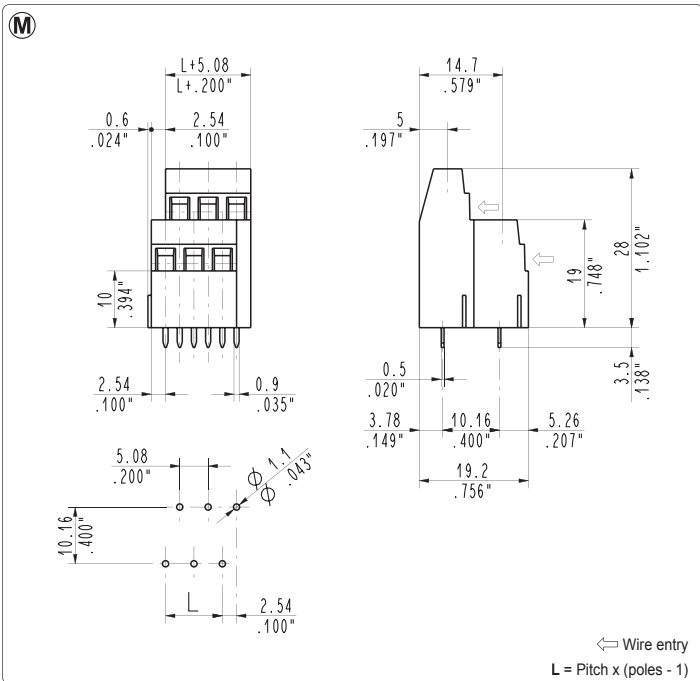
PSB_0K1 2nd & 3rd Levels Modular
5 mm / .197" Pitch Weight per pole: 1.45 g

Single Mould Terminal Blocks					
Poles	STD Code	Pcs/pack.	W [kg]*	Pcs/ind.**	W [kg]*
02	PSB020K1	100	0,58	500	2,90
03	PSB030K1	75	0,65	500	4,35



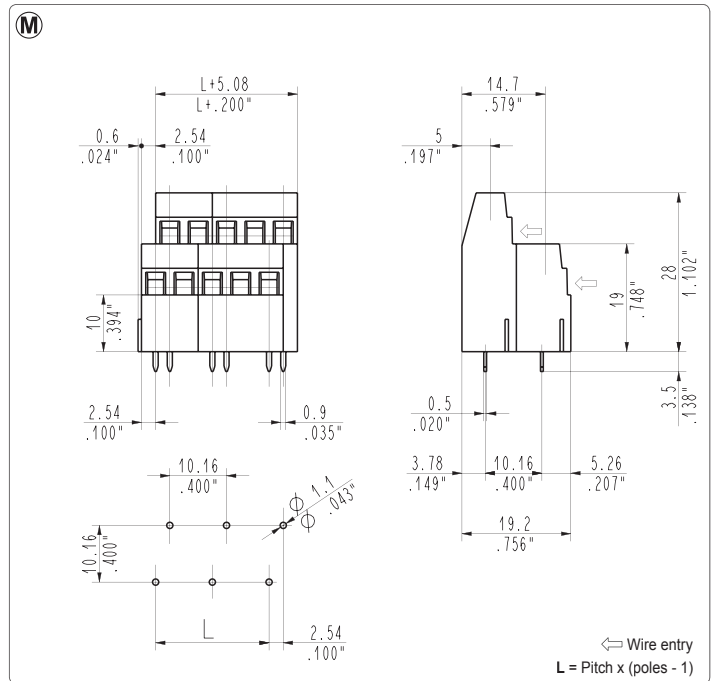
PSB_0K2 2nd & 3rd Levels Modular
10 mm / .394" Pitch Weight per pole: 1.77 g

Assembled Terminal Blocks					
Poles	STD Code	Pcs/pack.	W [kg]*	Pcs/ind.**	W [kg]*
01	PSB010K2	100	0,35	500	1,77
02	PSB020K2	75	0,53	500	3,54
03	PSB030K2	80	0,85	250	2,66
04	PSB040K2	60	0,85	250	3,54
05	PSB050K2	45	0,80	150	2,66
06	PSB060K2	35	0,74	100	2,12
07	PSB070K2	25	0,62	75	1,86
08	PSB080K2	25	0,71	75	2,12
09	PSB090K2	15	0,48	50	1,59
10	PSB100K2	15	0,53	50	1,77
11	PSB110K2	15	0,58	50	1,95
12	PSB120K2	15	0,64	50	2,12
13	PSB130K2	10	0,46	50	2,30



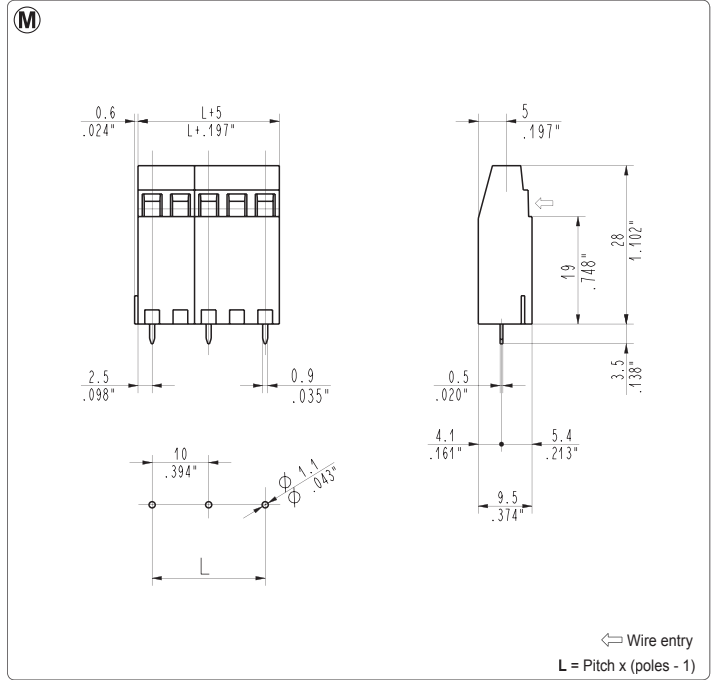
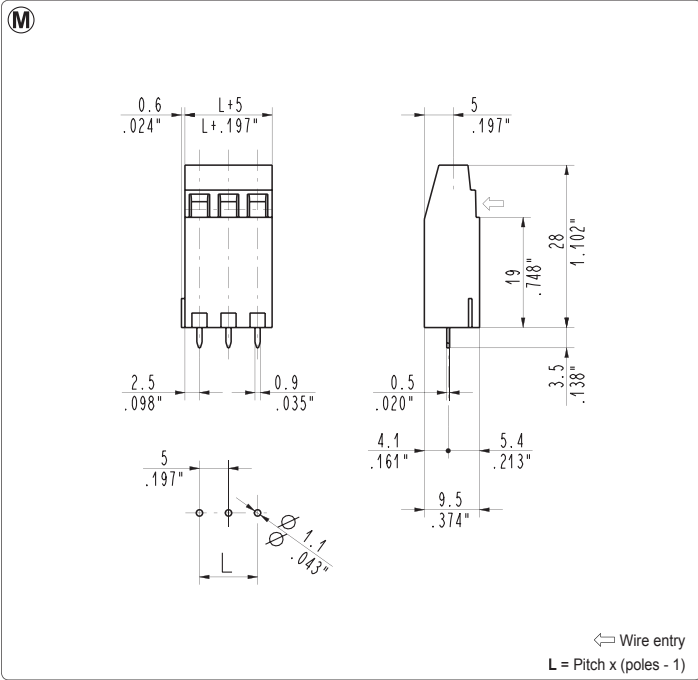
PSB_0K5 2nd & 3rd Levels Modular
5.08 mm / .200" Pitch Weight per pole: 1.45 g

Single Mould Terminal Blocks					
Poles	STD Code	Pcs/pack.	W [kg]*	Pcs/ind.**	W [kg]*
02	PSB020K5	100	0,58	500	2,90
03	PSB030K5	75	0,65	500	4,35



PSB_0K6 2nd & 3rd Levels Modular
10.16 mm / .400" Pitch Weight per pole: 1.77 g

Assembled Terminal Blocks					
Poles	STD Code	Pcs/pack.	W [kg]*	Pcs/ind.**	W [kg]*
01	PSB010K6	100	0,35	500	1,77
02	PSB020K6	75	0,53	500	3,54
03	PSB030K6	80	0,85	250	2,66
04	PSB040K6	60	0,85	250	3,54
05	PSB050K6	45	0,80	150	2,66
06	PSB060K6	35	0,74	100	2,12
07	PSB070K6	25	0,62	75	1,86
08	PSB080K6	25	0,71	75	2,12
09	PSB090K6	15	0,48	50	1,59
10	PSB100K6	15	0,53	50	1,77
11	PSB110K6	15	0,58	50	1,95
12	PSB120K6	15	0,64	50	2,12
13	PSB130K6	10	0,46	50	2,30

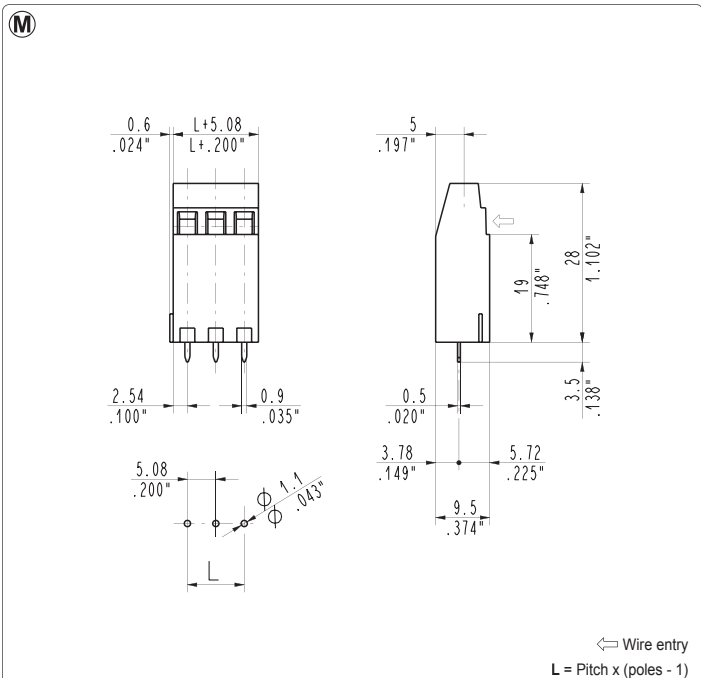


PSB_0H1 High Tower Modular
5 mm / .197" Pitch Weight per pole: 1.64 g

Single Mould Terminal Blocks					
Poles	STD Code	Pcs/pack.	W [kg]*	Pcs/ind.**	W [kg]*
02	PSB020H1	250	0,82	1000	3,28
03	PSB030H1	125	0,62	750	3,69

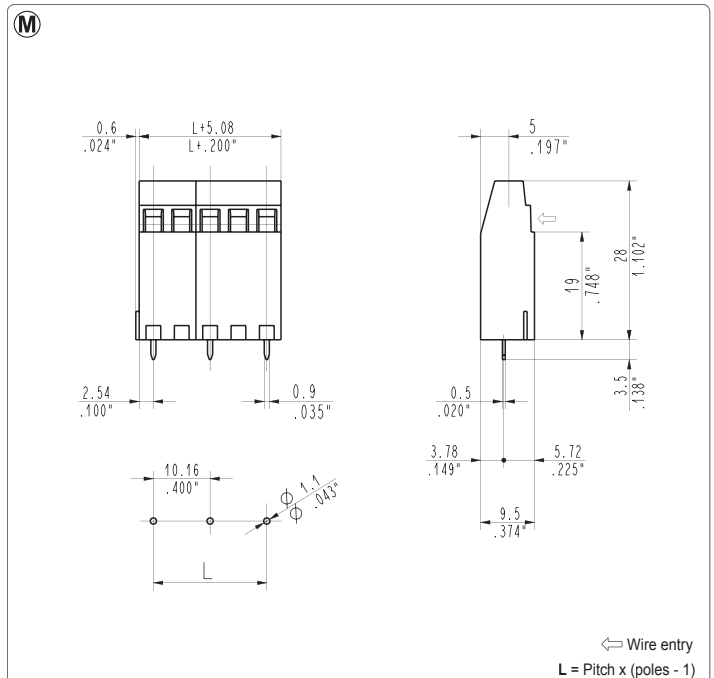
PSB_0H2 High Tower Modular
10 mm / .394" Pitch Weight per pole: 1.96 g

Assembled Terminal Blocks					
Poles	STD Code	Pcs/pack.	W [kg]*	Pcs/ind.**	W [kg]*
01	PSB010H2	250	0,35	1000	1,96
02	PSB020H2	125	0,53	750	2,94
03	PSB030H2	110	0,85	750	4,41
04	PSB040H2	80	0,85	750	5,88
05	PSB050H2	60	0,80	500	4,90
06	PSB060H2	45	0,74	500	5,88
07	PSB070H2	35	0,62	250	3,43
08	PSB080H2	35	0,71	250	3,92
09	PSB090H2	30	0,48	150	2,65
10	PSB100H2	25	0,53	150	2,94
11	PSB110H2	25	0,58	100	2,16
12	PSB120H2	25	0,64	100	2,35
13	PSB130H2	15	0,46	100	2,55



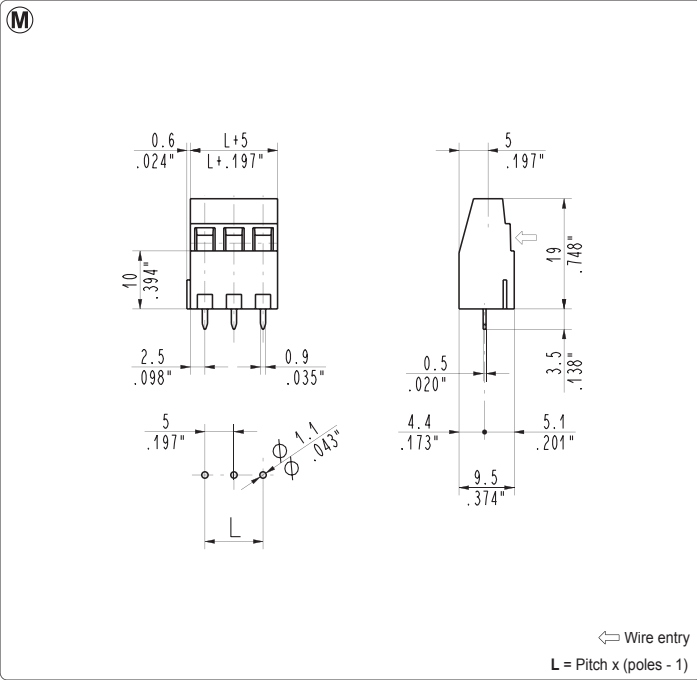
PSB_0H5 High Tower Modular
5.08 mm / .200" Pitch Weight per pole: 1.64 g

Single Mould Terminal Blocks					
Poles	STD Code	Pcs/pack.	W [kg]*	Pcs/ind.**	W [kg]*
02	PSB020H5	250	0,82	1000	3,28
03	PSB030H5	125	0,62	750	3,69



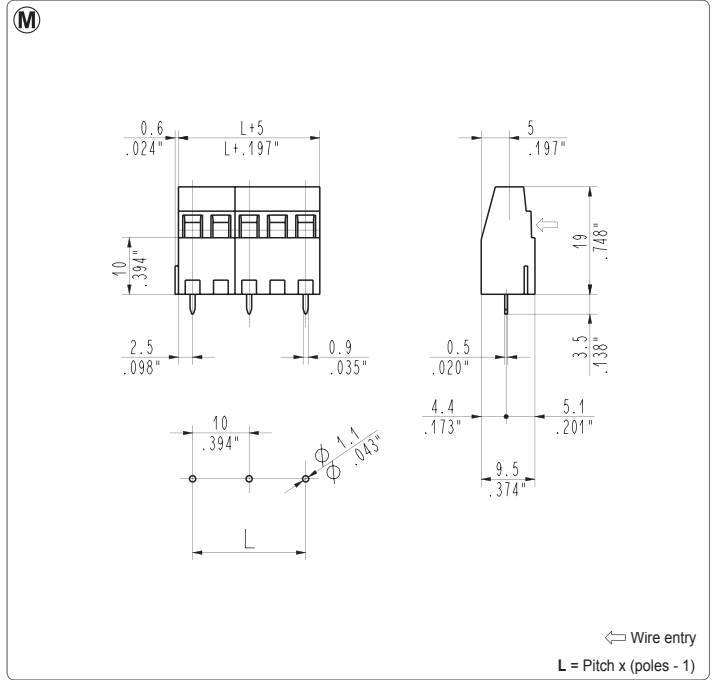
PSB_0H6 High Tower Modular
10.16 mm / .400" Pitch Weight per pole: 1.96 g

Assembled Terminal Blocks					
Poles	STD Code	Pcs/pack.	W [kg]*	Pcs/ind.**	W [kg]*
01	PSB010H6	250	0,35	1000	1,96
02	PSB020H6	125	0,53	750	2,94
03	PSB030H6	110	0,85	750	4,41
04	PSB040H6	80	0,85	750	5,88
05	PSB050H6	60	0,80	500	4,90
06	PSB060H6	45	0,74	500	5,88
07	PSB070H6	35	0,62	250	3,43
08	PSB080H6	35	0,71	250	3,92
09	PSB090H6	30	0,48	150	2,65
10	PSB100H6	25	0,53	150	2,94
11	PSB110H6	25	0,58	100	2,16
12	PSB120H6	25	0,64	100	2,35
13	PSB130H6	15	0,46	100	2,55



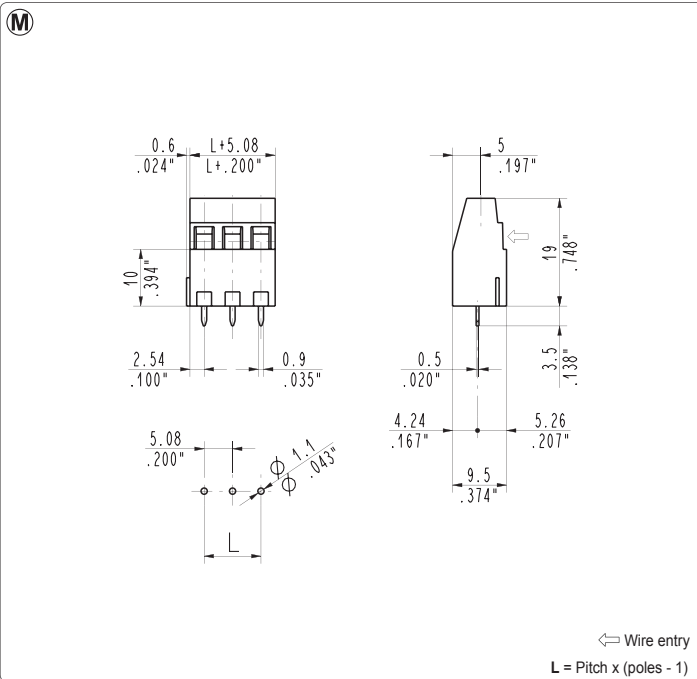
PSB_0M1 Medium Tower Modular
5.08 mm / .197" Pitch Weight per pole: 1.25 g

Single Mould Terminal Blocks					
Poles	STD Code	Pcs/pack.	W [kg]*	Pcs/ind.**	W [kg]*
02	PSB020M1	400	1,00	1250	3,13
03	PSB030M1	250	0,94	1000	3,75



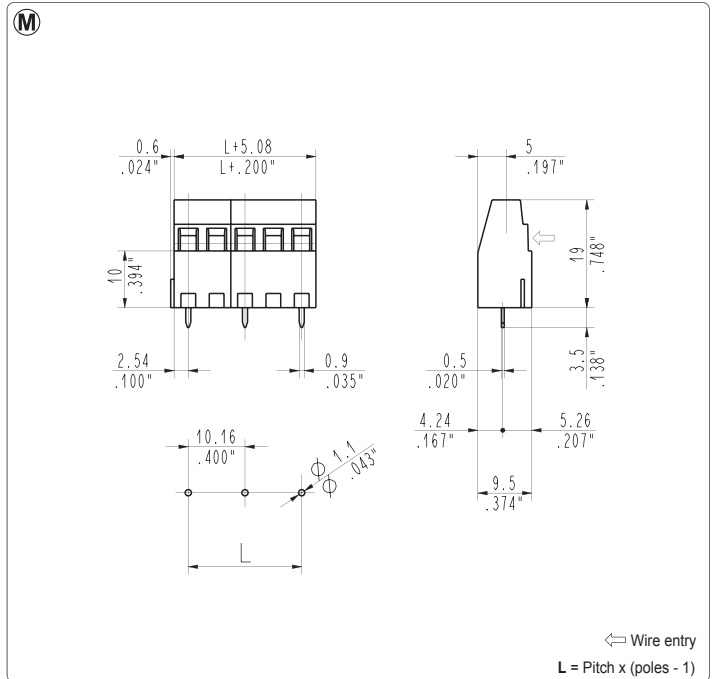
PSB_0M2 Medium Tower Modular
10 mm / .394" Pitch Weight per pole: 1.46 g

Assembled Terminal Blocks					
Poles	STD Code	Pcs/pack.	W [kg]*	Pcs/ind.**	W [kg]*
01	PSB010M2	400	0,58	1250	1,83
02	PSB020M2	250	0,73	1000	2,92
03	PSB030M2	165	0,72	750	3,29
04	PSB040M2	120	0,70	750	4,38
05	PSB050M2	95	0,69	500	3,65
06	PSB060M2	70	0,61	500	4,38
07	PSB070M2	50	0,51	250	2,56
08	PSB080M2	50	0,58	250	2,92
09	PSB090M2	45	0,59	150	1,97
10	PSB100M2	30	0,44	150	2,19
11	PSB110M2	30	0,48	100	1,61
12	PSB120M2	30	0,53	100	1,75
13	PSB130M2	25	0,47	100	1,90



PSB_0M5 Medium Tower Modular
5.08 mm / .200" Pitch Weight per pole: 1.25 g

Single Mould Terminal Blocks					
Poles	STD Code	Pcs/pack.	W [kg]*	Pcs/ind.**	W [kg]*
02	PSB020M5	400	1,00	1250	3,13
03	PSB030M5	250	0,94	1000	3,75



PSB_0M6 Medium Tower Modular
10.16 mm / .400" Pitch Weight per pole: 1.46 g

Assembled Terminal Blocks					
Poles	STD Code	Pcs/pack.	W [kg]*	Pcs/ind.**	W [kg]*
01	PSB010M6	400	0,58	1250	1,83
02	PSB020M6	250	0,73	1000	2,92
03	PSB030M6	165	0,72	750	3,29
04	PSB040M6	120	0,70	750	4,38
05	PSB050M6	95	0,69	500	3,65
06	PSB060M6	70	0,61	500	4,38
07	PSB070M6	50	0,51	250	2,56
08	PSB080M6	50	0,58	250	2,92
09	PSB090M6	45	0,59	150	1,97
10	PSB100M6	30	0,44	150	2,19
11	PSB110M6	30	0,48	100	1,61
12	PSB120M6	30	0,53	100	1,75
13	PSB130M6	25	0,47	100	1,90

*W [kg]: Approximate Weight per box in kg

**Industrial packaging: add "-00000E" at standard code

