

Engineering and Manufacturing Standards

Kunde:

AA-Nr.

Kunden-Auftrags-Nr.:

RG-Nr.

Material: - Isolierkörper:
 (Insulator)

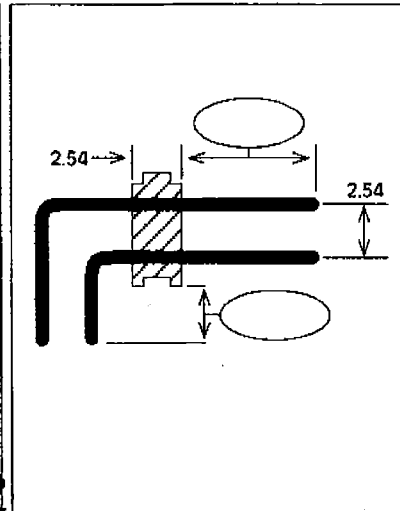
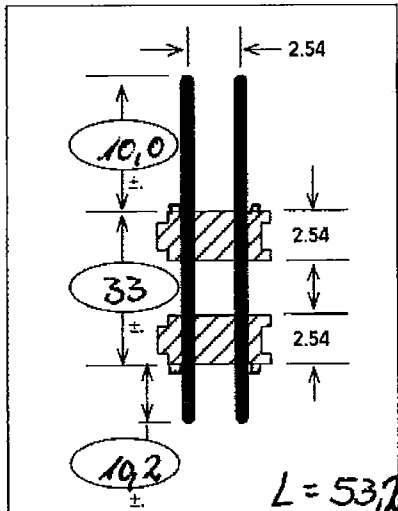
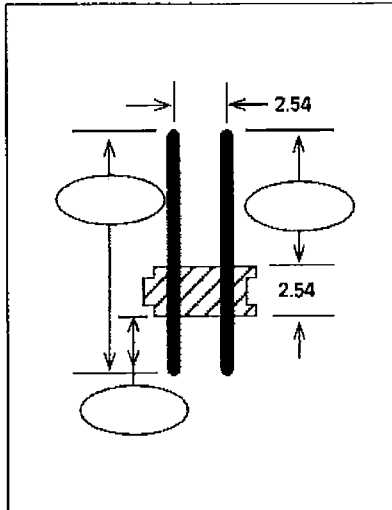
Standard Temperatur

- Kontakte:
 (Contacts)

CuNi 18 Zn 20

- Vergütung:
 (Plating)

0,25 Au



Teile-Nr.

AP	
KD	
Menge	

Stückliste

Menge	Teile-Nr.

Einheit: ~~mm~~ / ~~inch~~
 (Unit)

2 x 16 polig

Unless otherwise specified Tolerance: 0.000 ± 0.010 ; 0.00 ± 0.20
 0.0 ± 0.30 mm

Product specification

929294-99-16

Drawing/Revisions

Date

05.11.09

Sign