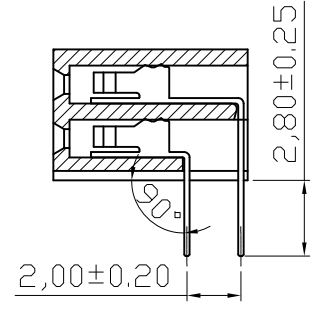
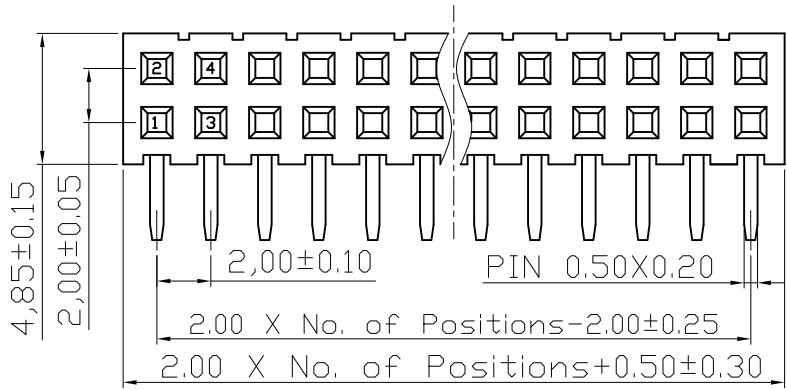
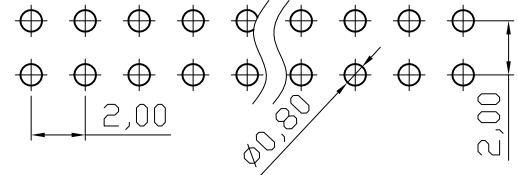


Recommended PCB Layout(Top Side)
(PCB BOARD TOLERANCE±0.05)



SECTION A-A

NOTES:

- MATERIAL**
- 1.Insulator Material:PA6T+30%GF(UL94V-0)
 - 2.Contact Material : Phosphor Bronze
 - 3.Contact Plating :Gold Flash
- ELECTRICAL**
- 1.Current Rating : 2.0AMP
 - 2.Withstand Voltage : 500V AC/DC
 - 3.Contact Resistance : 20mΩ max
 - 4.Insulation Resistance: 1000MΩ min
- ENVIRONMENTAL**
- 1.Operation Temperature: -40°C to +105°C
 - 2.Packing: Tube

RoHS compliant

Scale	1:1						Date	Name	Customer-No.
TOLERANCE						Drawn	28.09.2006	Hellwig	ASSMANN WSW-No. A-BL200-DA-GxxD
X.X	±0.40					Approved	27.07.2009	Hellwig	
X.XX	±0.25								
X.XXX	±0.15								
DIM	TOL	②	Update	27.07.2009	Dean			Drawing-No.	ASS 1399 CO rev02
Angle	±3°	①	Drawn	28.09.2006	Hellwig				
			Id.	Modification	Date			Name	
