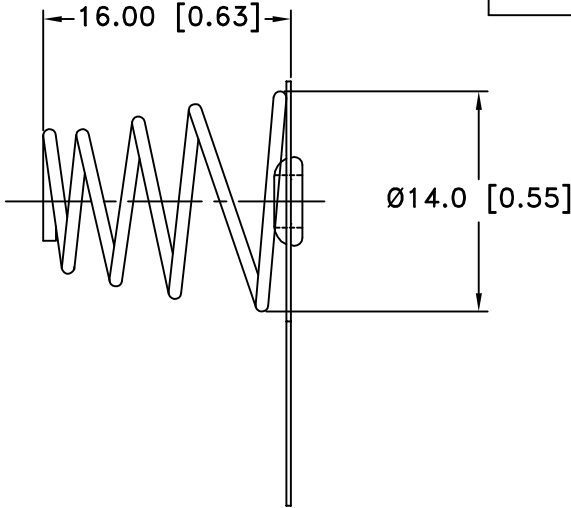
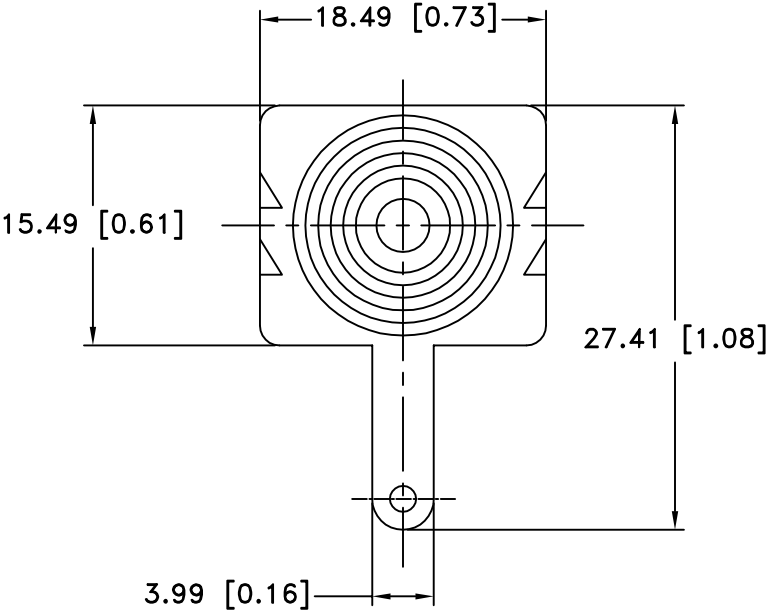



Date	SYM	REVISION RECORD	AUTH	DR.	CK.
03/15/03	A	TIN PLATED WAS NICKEL PLATED	T.B.	B.S.	
2/25/06	B	ADDED "ROHS COMPLIANT"	T.B.	B.S.	



NOTES:

1. BASE: STEEL, 0.3mm (0.012") THICK. TIN PLTD.
2. SPRING: STEEL, 0.8mm (0.032") THICK. NICKEL PLTD.
3. ROHS COMPLIANT

Tolerance (Except as noted)	 Memory Protection Devices, Inc 200 Broad Hollow Road, Farmingdale, New York 11735		
decimal ±.5 (.020)		Scale	Drawn By B.S. Approved By T.B.
Fractional ± .8 (.030)	Title SNT8 "C" CELL BATTERY CONTACT		
Angular ± 3°	Date 2/25/06	Drawing Number SNT8-2	