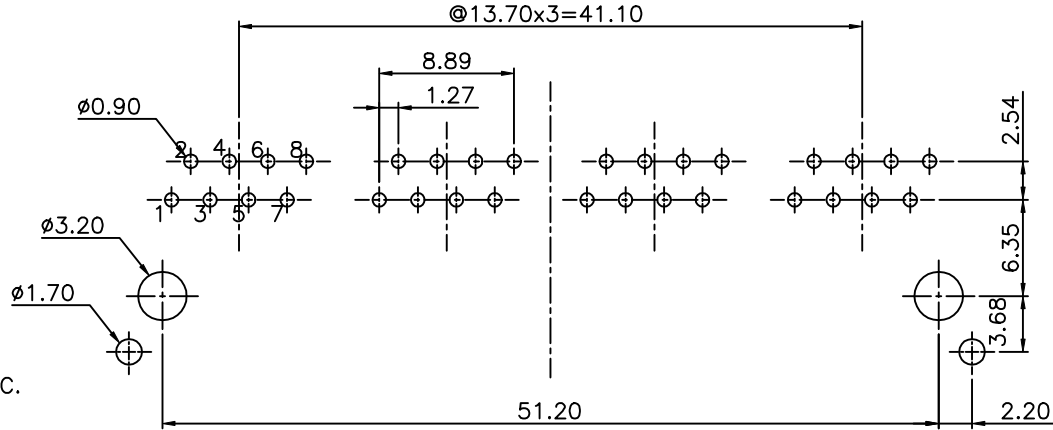
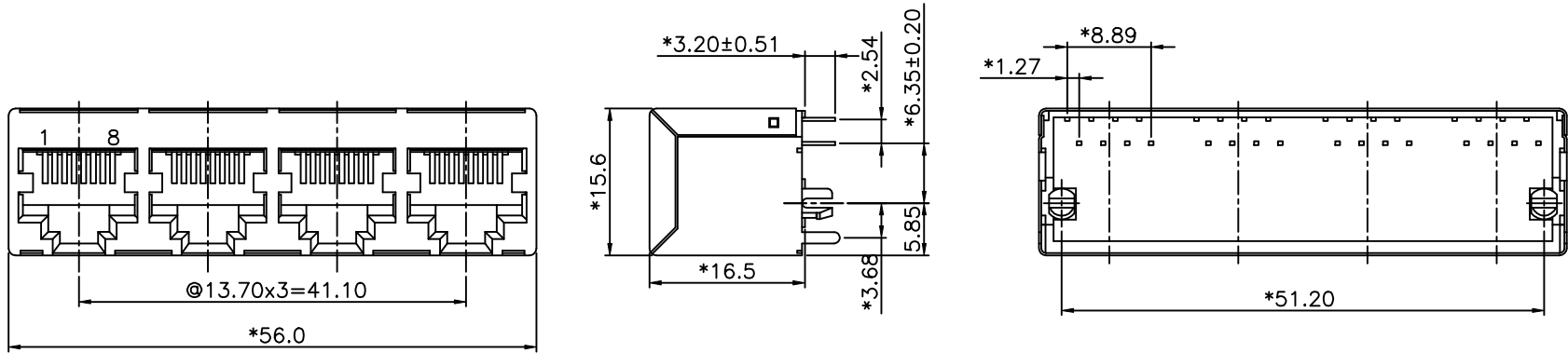


REVISION RECORD				
REV	ECO	DESCRIPTION	DRFT	CHKD



NOTES:

ELECTRICAL:

1. VOLTAGE RATING : 125 VAC RMS.
2. CURRENT RATING : 1.5 AMP.
3. CONTACT RESISTANCE : 30 MILLIOHMS MAX.
4. INSULATION RESISTANCE: 1000 MEGOHMS MIN @ 500 VDC.
5. DIELECTRIC STRENGTH : 1000 VAC RMS 60Hz, 1MIN.

MECHANICAL:

1. HOUSING MATERIAL : NYLON+30%G.F UL94V-0.
2. CONTACT MATERIAL : PHOSPHOR BRONZE t=0.35mm.
3. PLATING : GOLD PLATING OVER NICKEL.
4. OPERATING LIFE : 750 CYCLES MIN.
5. PCB RETENTION PRE-SOLDER : 1 LB MIN.
6. PCB RETENTION POST-SOLDER: 10 LBS MIN.

ENVIRONMENTAL:

1. STORAGE : -40°C TO +85°C.
2. OPERATION: -40°C TO +85°C.
3. WAVE SOLDER TEMPERATURE: 255-265°C (5-10 SECOND).

MATES WITH MODULAR PLUG CONFORMING TO FCC PART 68, SUBPART F.

PART NUMBER: E5288-3XCB4X-L

SHIELD: 1-3u" 2-6u"
 1-TIN 3-15u" 4-30u"
 2-NICKEL 5-50u"
 4-SHIELD NICKEL PLATED ;TIN_LEAD TBAS

PC Board Layout
Component Side Shown

DETACHED LISTS	MM (INCH)		DFTO SAMMY	DATE 03/17/05	FULL RISE ELECTRONIC CO., LTD
	TOLERANCES EXCEPT AS NOTED		CHKD QIANPU	DATE 2005/3/17	
	MM		MFO	DATE	
	.0 ±0.20	±	APPV LUSHEN	DATE 2005/3/17	
.00 ±0.15	±	MATERIAL :		TITLE	
.000 ±0.075	±	ANGLES ±		TOP ENTRY GANG JACK	
THIRD ANGLE PROJECTION		QT'Y :		DRAWING NO. GE523009-LA	SIZE REV
		FINISH :		/PART NO. SEE NOTE	A3 0
		SCALE :		DO NOT SCALE DRAWING	SHEET X OF Y