

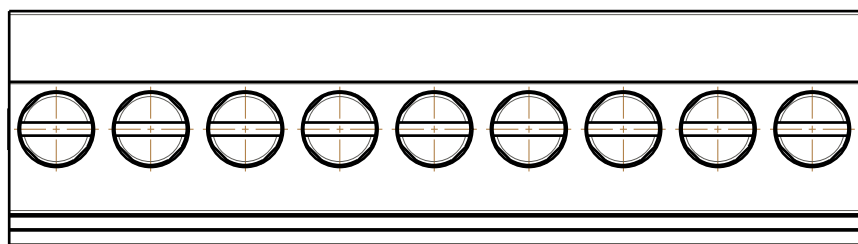
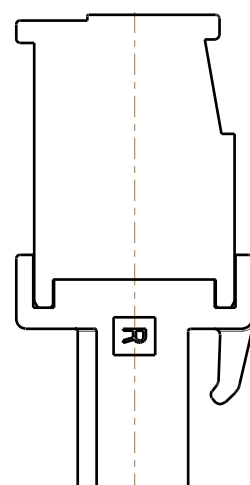
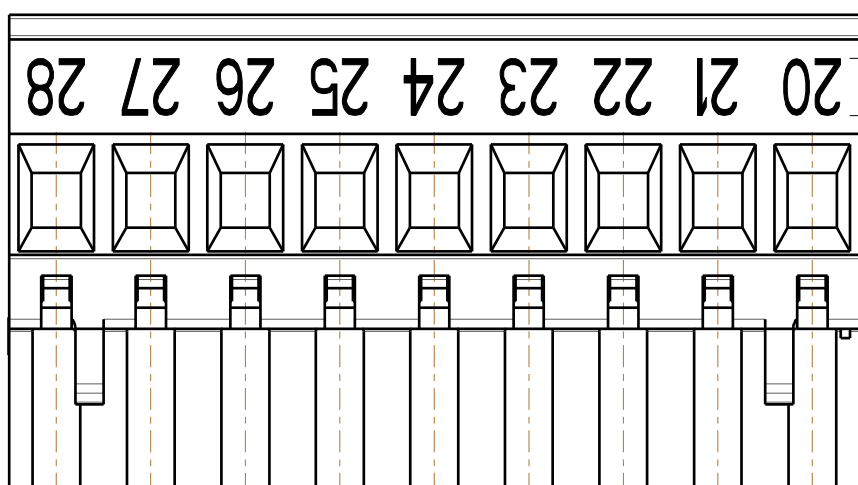
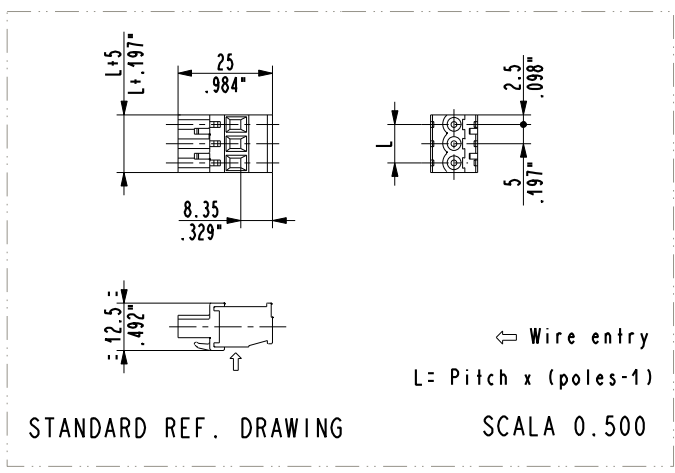
Rev.	Descrizione/Description	Data/Date	Firma/Sign.

USARE/USE CLICHE' N°:

**C3480**

COLORE STAMPIGLIATURA/INK COLOR:

**NERO/BLACK**



SCALA 2.500

NOTE:

-CONTROLLO ALLINEAMENTO STAMPIGLIATURA CON DIMA STANDARD: **SI**  
 MARKING ALIGNEMENT CHECK: **YES**

CODICE  
PN

**CVF09AR1 - B**

FOGLIO/SHEET: 1/1	KIT: -	PASSO/PITCH: 5	FIRMA/SIGNATURE: Biasio	DATA/DATE: 17-Sep-10
DIS. N°/DRAW. N°: CVF09AR1-B				

