

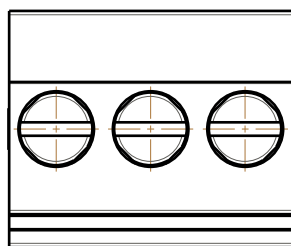
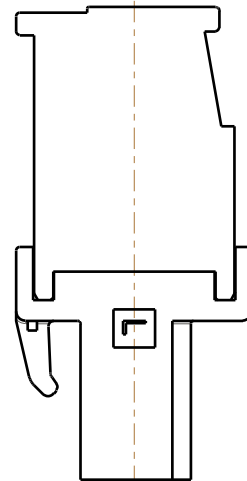
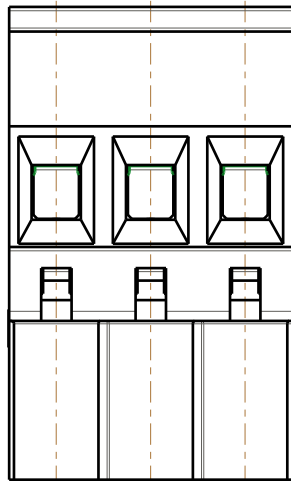
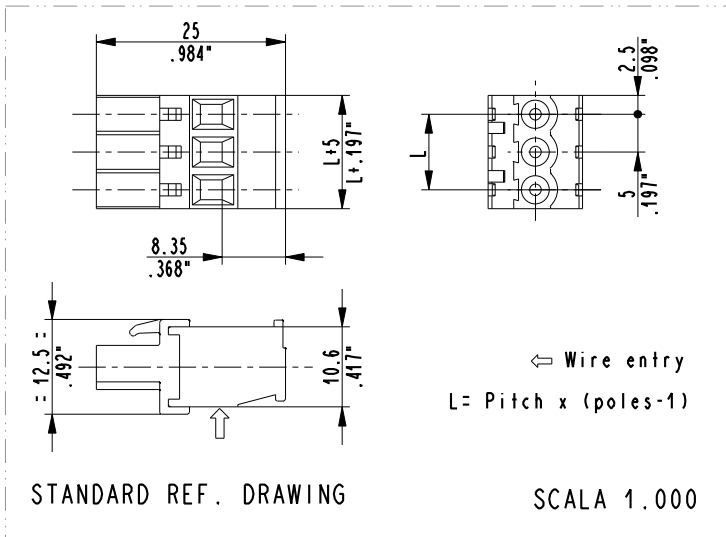
Rev.	Descrizione/Description	Data/Date	Firma/Sign.
------	-------------------------	-----------	-------------

USARE/USE CLICHE' N°:

-

COLORE STAMPIGLIATURA/INK COLOR:

-



SCALA 2.500

NOTE:

-CORPO PLASTICA GRIGIO CHIARO (SIMILE A RAL 7035)  
 LIGHT GRAY PLASTIC HOUSING (SIMILAR TO RAL 7035)

**CODICE PN**  
**CVF030L1 - 0G**

KIT:	PASSO/PITCH:		
-	5	-	-
FOGLIO/SHEET:	DIS. N°/DRAW. N°:	FIRMA/SIGNATURE:	DATA/DATE:
1/2	CVF030L1-0G	Biasio	05-Aug-10

