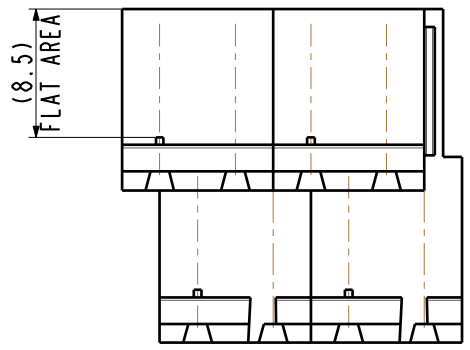
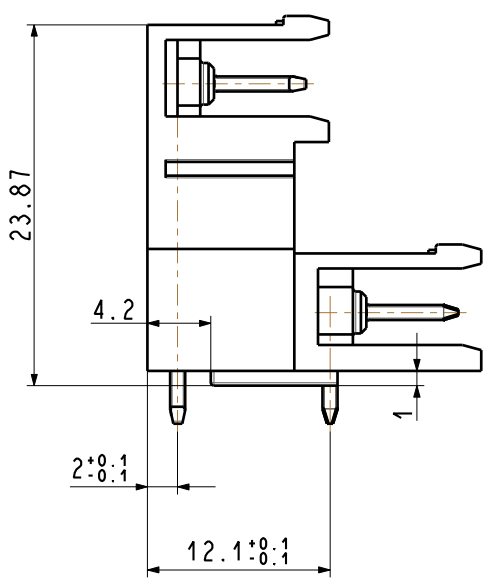
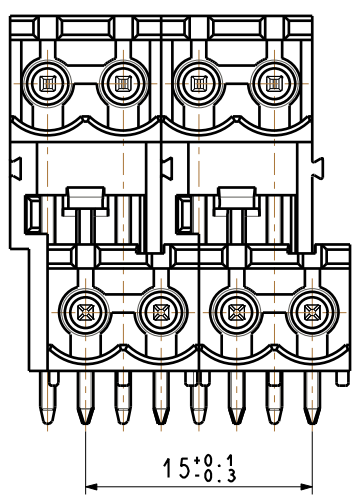
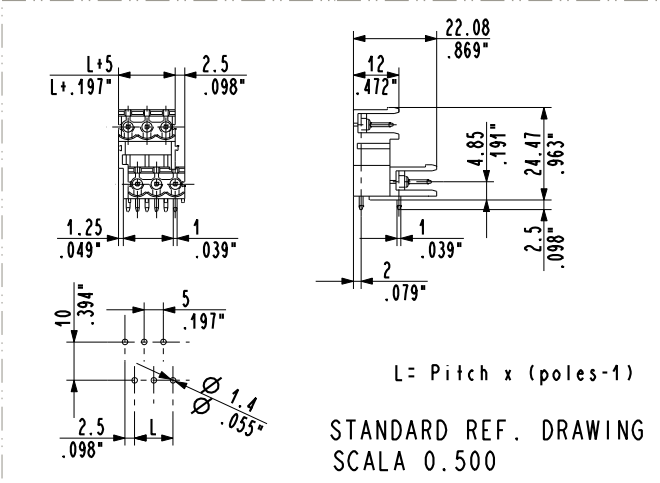


Rev.	Descrizione/Description	Data/Date	Firma/Sign.
1	Added ref. dimensions	24-08-10	BORELLA
2	Added back cover and updated P/N (was CPMH049M1-0G001)	14-01-11	Biasio

USARE/USE CLICHE' N°:

COLORE STAMPIGLIATURA/INK COLOR:



SCALA 2.000

NOTE:
- CORPI IN PLASTICA "WG0069" COLORE GRIGIO CHIARO (SIMILE A RAL 7035: VERSIONE STH)
- CON COPERCHIO POSTERIORE

NOTE:
- HIGH TEMPERATURE PLASTIC HOUSING IN LIGHT GRAY COLOUR (SIMILAR TO RAL 7035: STH VERSION)
- WITH REAR COVER

CODICE P/N

CPMH049M1 - 0G

KIT:	PASSO/PITCH:		
-	5	-	-
FOGLIO/SHEET:	DIS. N°/DRAW. N°:	FIRMA/SIGNATURE:	DATA/DATE:
1/1	CPMH049M1-0G	Biasio	02-Jul-10

