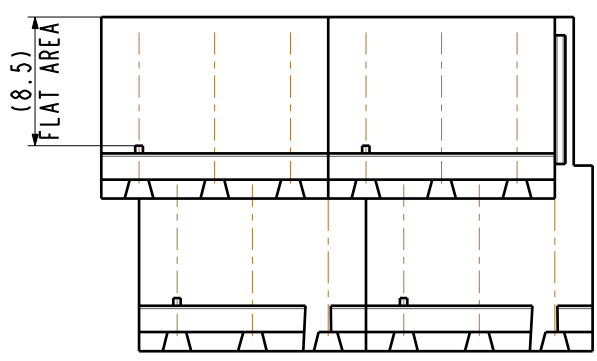
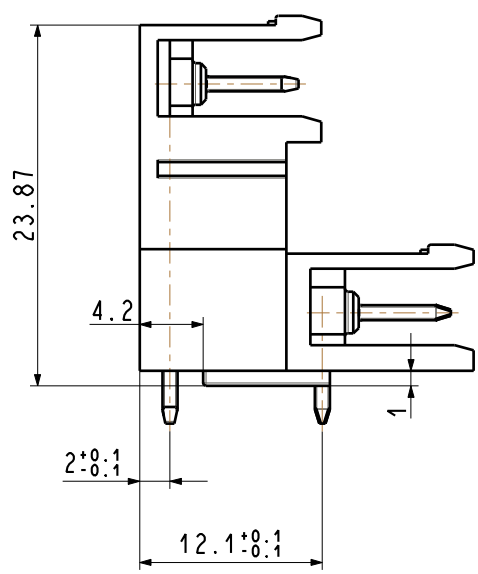
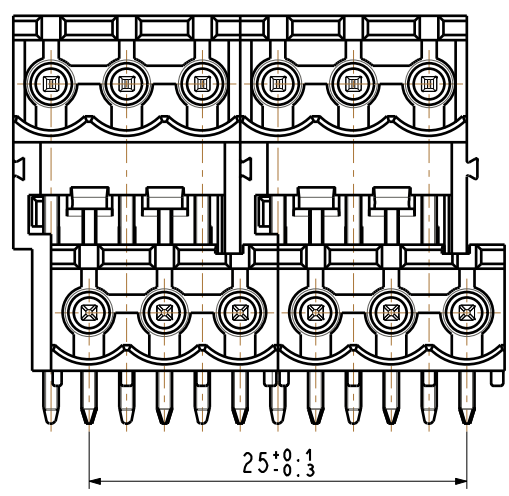
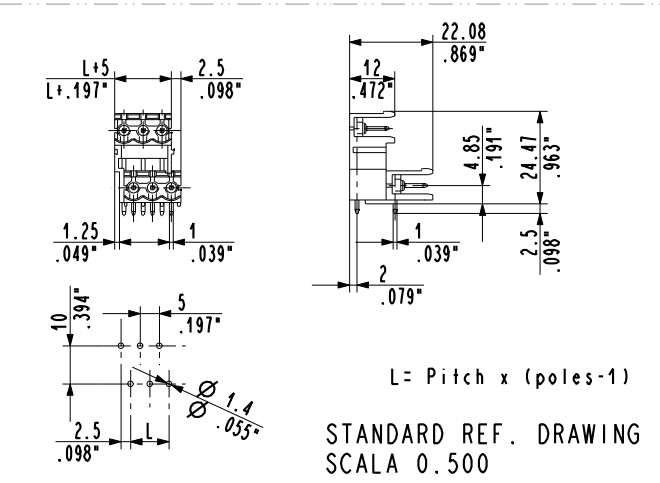


Rev.	Descrizione/Description	Data/Date	Firma/Sign.
1	Added ref. dimensions	24-08-10	BORELLA
2	Added back cover and updated P/N (was CPMH069M1-0G001)	14-01-11	Biasio

USARE/USE CLICHE' N°:  
-  
COLORE STAMPIGLIATURA/INK COLOR:  
-



SCALA 2.000

NOTE:

- CORPI IN PLASTICA "WG0069" COLORE GRIGIO CHIARO (SIMILE A RAL 7035: VERSIONE STH)
- CON COPERCHIO POSTERIORE

NOTE:

- HIGH TEMPERATURE PLASTIC HOUSING IN LIGHT GRAY COLOUR (SIMILAR TO RAL 7035: STH VERSION)
- WITH REAR COVER

CODICE P/N

# CPMH069M1 - 0G

KIT:	PASSO/PITCH:	
-	5	-
FOGLIO/SHEET:	FIRMA/SIGNATURE:	DATA/DATE:
1/1	Biasio	02-Jul-10

