

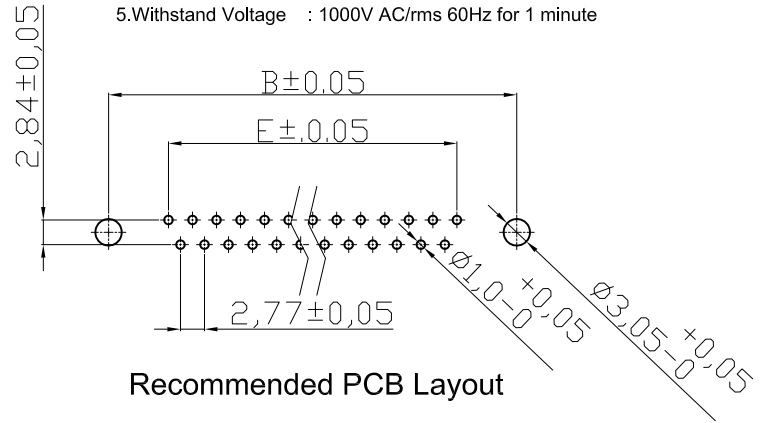
② NOTES:

MATERIAL

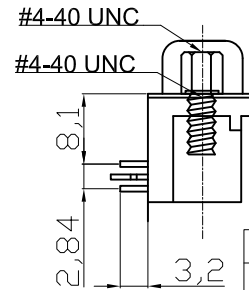
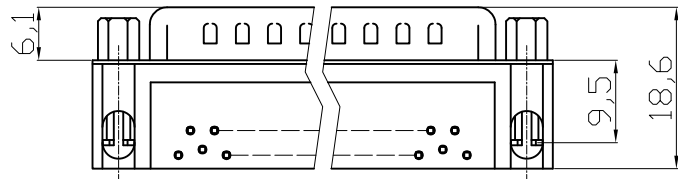
- 1. Insulator Material: Glass-Filled Thermoplastic PBT, UL 94V-0, Black
- 2. Contact Material: Brass
- 3. Contact plating: A-DS xx A/KG-T2 : Gold flash full gold ③
A-DS xx A/KG-T2S: Gold flash selective gold
- 4. Shell : Steel, 100u" Tin over 50u" min copper
- 5. Clinch Nut : Copper alloy, Nickel plated
- 6. Boardlock : Brass, Tin plated
- 7. Screwlock : Steel, Nickel plated

ELECTRICAL

- 1. Current Rating : 3AMP
- 2. Voltage Rating : 250V AC/rms 60Hz
- 3. Contact Resistance: 20mΩ max at 1 AMP DC
- 4. Insulation Resistance: 1000MΩ at 500 V DC
- 5. Withstand Voltage : 1000V AC/rms 60Hz for 1 minute



Recommended PCB Layout



Dimensions

Positions	A	B	C	E
09	30.81	24.99	16.92	11.08
15	39.20	33.30	25.25	19.39
25	53.05	47.04	38.96	33.24
37	69.40	63.50	55.42	49.86

7.2mm Footprint

RoHS compliant

Scale	1:1						Date	Name	Customer-No.
TOLERANCE							Drawn	23.12.2008	Dean
X.	±0.38						Approved	06.11.2009	Hellwig
X.X	±0.25								
X.XX	±0.13	③	WSW p/n added	06.11.2009	Dean				ASSMANN WSW-No. A-DS xx A/KG-T2 A-DS xx A/KG-T2S ③
DIM	TOL	②	Modify the Notes	08.04.2009	Dean		Drawing-No.		ASS 3248 CO rev03
X.°	±3°						Replace		
X.X°	±1.0°	①	Drawn	23.12.2008	Dean		Sheet		
Angle	TOL	Id.	Modification	Date	Name				

1

2

3

4

5

6

7