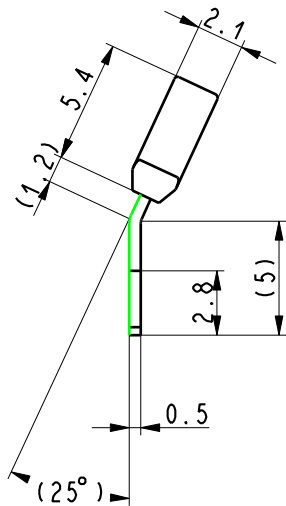
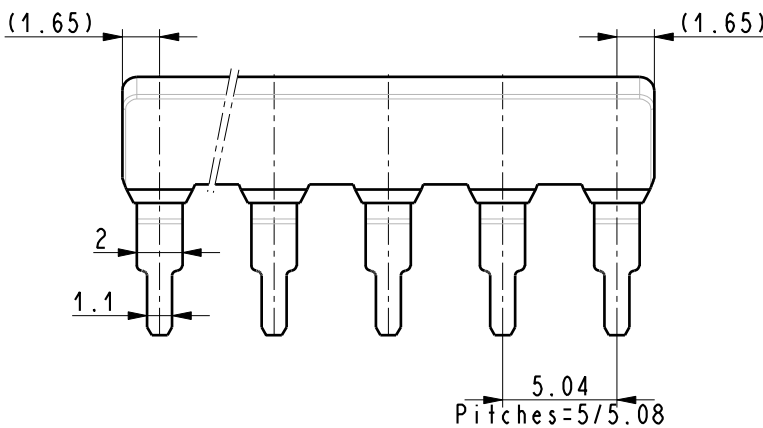
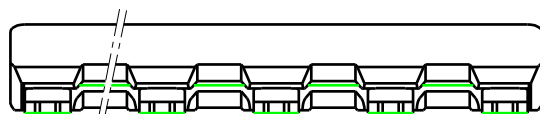


Rev.	Descrizione/Description	Data/Date	Firma/Sign.	CODICE ARTICOLO PN	CODICE COLORE HOUSING COLOR	RAL	COLORE PLASTICA HOUSING COLOR
				BSC_000		6032	VERDE/GREEN
					-OM	6017	VERDE/GREEN
					-ON	9005	NERO/BLACK
					-OC	8019	MARRONE/BROWN
					-OG	7035	GRIGIO CHIARO/ LIGHT GRAY
					-OS	7032	GRIGIO CHIARO/ LIGHT GRAY
					-OF	7040	GRIGIO SCURO/ DARK GRAY
					-OW	9001	BIANCO/WHITE
					-OA	2003	ARANCIONE/ORANGE
					-OB	5012	BLU/BLUE
					-OH	5015	BLU/BLUE
					-OR	3017	ROSSO/RED



NOTE:
 CURRENT RATE: 12A
 (IN ANY CASE YOU MUST NOT PASS THE CURRENT RATE OF THE
 TERMINAL BLOCK WHERE THE BRIDGE IS USED)

CODICE PN

BSC_000-0_

KIT:	PASSO/PITCH:	
-	5/5.08	-
FOGLIO/SHEET:	FIRMA/SIGNATURE:	DATA/DATE:
1/1	Borella	07-Mar-07

