

**CF Fuse Rated 58V**



Bolt-down Fuses



**Specifications**

ISO 8820-6  
DIN 72581-6  
UL 248 Special Purpose Fuses

**cULus Recognized:**  
**Insulating body:**  
**Cover:**

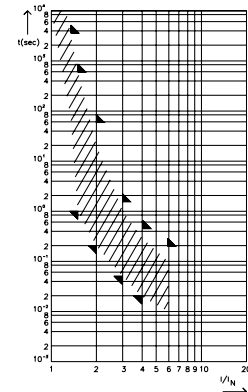
File No. E211637  
Out of ceramic  
Out of thermoplast (UL 94-V0, heat resistant)  
Visible melting-element  
2,000A @58 VDC

**Interrupting Rating:**  
**Packaging:**

Series Serien	Pack Size
155.0892.xxx1	100

**Pre-arcing Time - limits /  
Schmelzeit-Grenzwerte DIN**

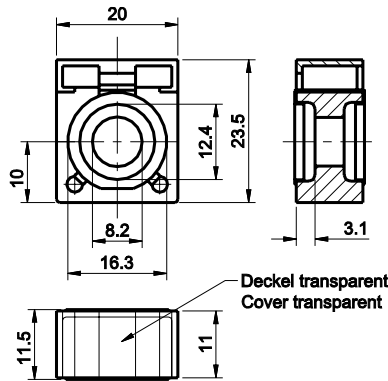
FI = 1.25 (max. operating current:  
0.8 x I<sub>rat</sub> at 23°C)



Main Fuse for mounting with battery clamp on the battery pole.  
Voltage rating 58 VDC, Current rating 50A - 300A. With  
transparent cover for visual inspection of melting element.

Hauptsicherung zur Montage an der Batterieklemme.  
Nennspannung 58 VDC, Nennstrom 50A bis 300A. Transparente  
Abdeckung für visuelle Überprüfung des Schmelzelements.

**Dimensions in mm /  
Maße in mm**



**Time-Current Characteristics / Schmelzeit-Grenzwerte**

% of Rating % des Nennstromes	Opening Time Min / Max (s) Schmelzcharakteristik Min / Max (s)
100	360,000 s / -
135	- / 3,600 s
150	1 s / 600 s
200	0.200 s / 60 s
300	0.050 s / 1.5 s
400	0.020 s / 0.50 s
600	- / 0.20 s

Part Number Artikel-Nr.	Current Rating Nennstrom	Typ. Voltage Drop Typ. Spannungsfall	Cold Resistance Kaltwiderstand	I <sup>2</sup> t
155.0892.5501	50 A	100 mV	1.20 mΩ	1,900 A <sup>2</sup> s
155.0892.5751	75 A	90 mV	0.60 mΩ	12,000 A <sup>2</sup> s
155.0892.6101	100 A	80 mV	0.60 mΩ	14,000 A <sup>2</sup> s
155.0892.6121	125 A	75 mV	0.45 mΩ	51,000 A <sup>2</sup> s
155.0892.6151	150 A	70 mV	0.35 mΩ	63,800 A <sup>2</sup> s
155.0892.6171	175 A	70 mV	0.25 mΩ	120,000 A <sup>2</sup> s
155.0892.6201	200 A	65 mV	0.25 mΩ	172,800 A <sup>2</sup> s
155.0892.6251	250 A	70 mV	0.20 mΩ	330,000 A <sup>2</sup> s
155.0892.6301	300 A	70 mV	0.15 mΩ	372,000 A <sup>2</sup> s

Insert CF8-Fuse links only in conjunction with the insulating nuts, see Section  
"Fuse Holders." Corresponding battery clamp see Section "Fuse Holders."