

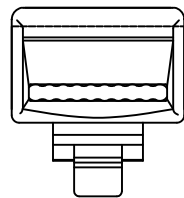
SPECIFICATION:

1. Electrical Char.

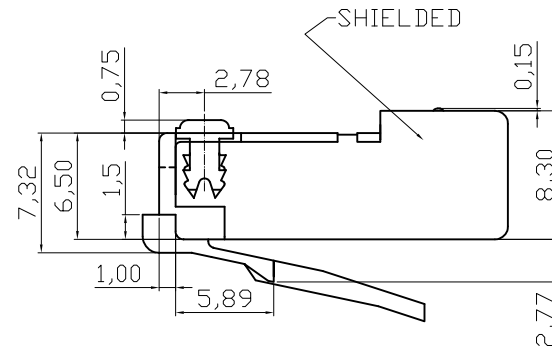
- Insulation Resistance: 500MΩ Min.
- Contact resistance: 20mΩ Max.
- Rating Current: 1.5A Min
- Delectric Voltage: 1000Vrm 60s Min

2. Physical Char.

- Housing: Polycarbonate(PC)UL 94V2
- Contact blade: High strength copper alloy.
- Gold plated: 50U" Gold plating over Nickel
- Packing: PE bag.



For round cable



RoHS compliant

Unit: mm

Scale	Free						Date	Name	Customer-No.
TOLERANCE					Drawn	11.11.2011	Lucas		
.X	±0.25				Approved	11.11.2011	Hellwig		
.XX	±0.13								ASSMANN WSW-No.
.XXX	±0.05								A-MO 8/8 SR-A
DIM	TOL								Drawing-No.
Angle	±0.5°								ASS 4610 CO
		©	Drawn	11.11.2011	Lucas				rev00
		Id.	Modification	Date	Name			Replace	Sheet