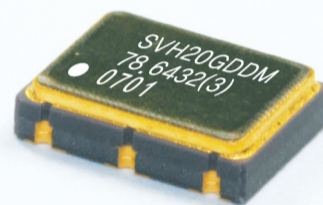


VCXO

CERAMIC SMD TYPE SVH

- Ceramic SMD package
- Voltage Controlled Crystal Oscillator
- 5.0 / 3.3 / 2.5 supply voltage
- HCMOS/TTL output
- Stability to ± 20 ppm
- Tri-state function available
- Reflow soldering is possible
- Available on tape and reel
- Fund(no multi) or Multi available

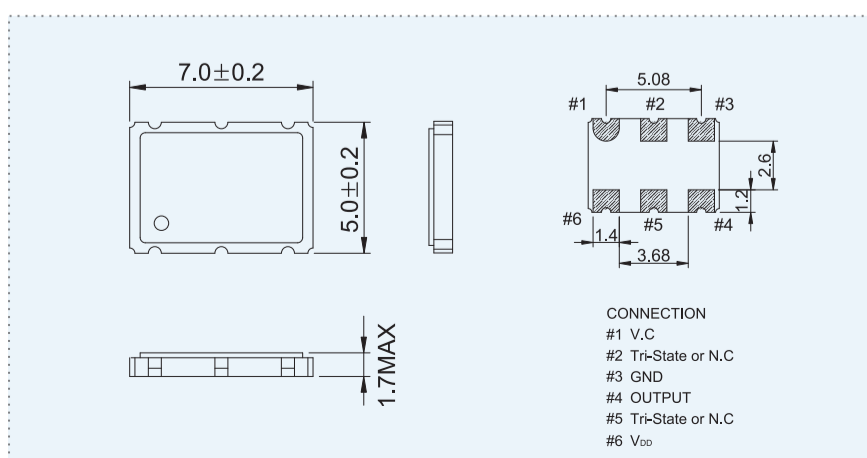


ELECTRICAL SPECIFICATIONS

Frequency Range	1.000 to 79.000MHz(Fund)	79.000 to 300.000MHz(Multi)
Operating Temperature Range	0 to +70°C or -40 to +85°C	
Storage Temperature Range	-55 to +125°C	
Frequency Stability	Inclusive of Operating Temperature Range, Supply Voltage and Load	$\pm 50, \pm 25, \pm 20$ ppm
Supply Voltage(V _{DD})	5.0V _{DC} $\pm 5\%$, 3.3V _{DC} $\pm 5\%$, 2.5V _{DC} $\pm 5\%$	3.3V _{DC} $\pm 5\%$
Input Current	1.000 to 20.000MHz 10mA max. 20.001 to 40.000MHz 20mA(5V), 15mA(3.3V / 2.5V)max. 40.001 to 79.000MHz 30mA(5V), 25mA(3.3V / 2.5V)max.	79.000 to 300.000MHz, 50mA max.
Frequency Deviation / Pin 1 Control Voltage	2.5 ± 2.0 V _{DC} (or 2.5V) 1.65 ± 1.35 V(or 1.65V) 1.25 ± 1.05 V(or 1.25V)	$\pm 80, \pm 100$ (STD), ± 150 ppm(optional) min.
Linearity	$\pm 20, \pm 15, \pm 10\%$	
Output Voltage Logic High(V _{OH})	HCMOS Load	90% of V _{DD} min.
Output Voltage Logic Low(V _{OL})	HCMOS Load	10% of V _{DD} max.
Rise / Fall Time	1.000 to 20.000MHz 10ns max. 20.001 to 40.000MHz 8ns max. 40.001 to 79.000MHz 5ns max.	79.000 to 300.000MHz, 10ns max.
Duty Cycle	50% of Waveform w/HCMOS Load	50 $\pm 10\%$ (STD) 50 $\pm 5\%$ (Optional)
Load Drive Capability	10 TTL Load or 15pF HCMOS Load	
Pin 2 Tri-state Input Voltage	No Connection	Enable Output
Pin 5 Tri-state Input Voltage	V _{IH} : $\geq 0.7V_{DD}$ V _{IH} : $\leq 0.3V_{DD}$	Enable Output Disable Output : High Impedance
Aging (at 25°C)	± 3 ppm, ± 5 ppm/year max.	
Start-up Time	10ms max.	
Period Jitter : pk-pk	100ps max.	
Period Jitter : One Sigma	25ps max.	

MECHANICAL DIMENSIONS

(mm)



LAND PATTERN

(mm)

