

3-phase + neutral line filters FN 3280

High-end three-phase and neutral line filter for industrial machinery/equipment

SCHAFFNER

energy efficiency and reliability



- Now available up to 600A
- Compact, space-saving design, optimized for industrial equipment
- Combines exceptional attenuation with low leakage current
- Suitable for machines in mixed/domestic environments (Class A/B)
- Increases also the immunity if operated directly on the mains input

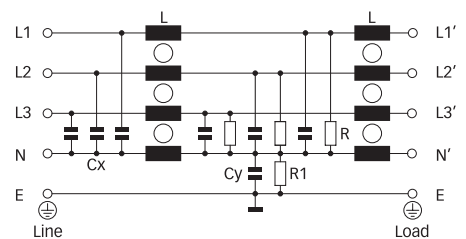
Approvals



Technical specifications

Maximum continuous operating voltage:	3x 520/300VAC (480VAC + 10% possible)
Operating frequency:	dc to 60Hz
Rated currents:	8 to 600A @ 50°C
High potential test voltage:	P → E 2750VDC for 2 sec P → P 2250VDC for 2 sec
Protection category:	IP20 (8 to 200A types) IP00 (300 to 600A types)
Overload capability:	4x rated current at switch on, 1.5x rated current for 1 minute, once per hour
Temperature range (operation and storage):	-25°C to +100°C (25/100/21)
Flammability corresponding to:	UL 94V-2 or better
Design corresponding to:	UL 1283, CSA 22.2 No. 8 1986, IEC/EN 60939
MTBF @ 50°C/400V (Mil-HB-217F):	>360,000 hours

Typical electrical schematic




Features and benefits

- A compact and light weight filter design with a „cubic“ shape, requiring minimum mounting space and thus taking the constructional conditions on the mains input of machinery into account.
- Simple and time-saving installation with good accessibility for automatic and hand tools.
- Solid, touch-safe terminal blocks (8 to 200A types) offering sufficient contacting cross section according to the EN 60204-1 installation standard, which is very common in industrial applications.
- As a mains input filter for three phases and neutral line, FN 3280 provides enough performance to ensure EMC compliance of machinery in mixed (Class A) or even domestic (Class B) environments. Further, its use will also increase the immunity of the entire installation significantly.
- FN 3280 provides the attenuation performance needed to meet the requirements of various machine tools with up to 12 driving axes and ~10 to 20m of motor cable each.
- For easy selection and application, the filter current ratings are aligned with common fuse values.

Typical applications

Mainly industrial equipment, machinery, machine tools and diverse process automation systems with three-phase and neutral electricity supply. Due to the outstanding attenuation performance, FN 3280 is also the first choice for noisy power supplies, renewable energy applications, highpower office equipment and further three-phase and neutral devices. Because of the relatively low leakage current, FN 3280 may even be used for some medical devices.

Filter selection table

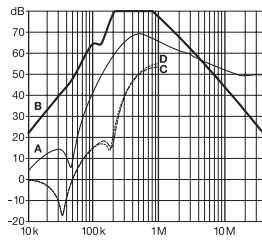
Filter	Rated current @ 50°C (40°C)	Leakage current* @ 480VAC/50Hz	Power loss @ 25°C/50Hz	Input/Output connections	Weight
	[A]	[mA]	[W]		[kg]
FN 3280H-8-29	8 (8.8)	<1	2.7	-29	0.8
FN 3280H-16-29	16 (17.5)	<1	6.0	-29	0.8
FN 3280H-25-33	25 (27)	<1	11.6	-33	1.3
FN 3280H-36-33	36 (39)	<1	14.8	-33	1.6
FN 3280H-64-34	64 (70)	<1	18.4	-34	2.7
FN 3280H-80-35	80 (88)	<1	18.9	-35	4.1
FN 3280H-120-35	120 (131)	<1	28.5	-35	5.9
FN 3280H-160-40	160 (175)	<1	30.7	-40	7.9
FN 3280H-200-40	200 (219)	<1	46.8	-40	8.5
FN 3280H-300-99	300 (328)	<1	20.3	-99	10.0
FN 3280H-400-99	400 (438)	<1	36.0	-99	10.0
FN 3280H-600-99	600 (657)	<1	64.8	-99	11.0

* Maximum leakage under normal operating conditions, based on the assumption that all three phases and the neutral conductor are connected to the supply and the consumer. In this case, the current will mainly return through the neutral line, not as earth leakage.

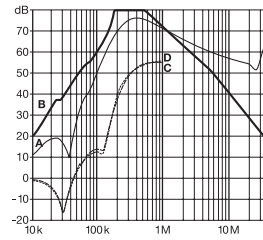
Typical filter attenuation

Per CISPR 17; A = 50Ω/50Ω sym; B = 50Ω/50Ω asym; C = 0.1Ω/100Ω sym; D = 100Ω/0.1Ω sym

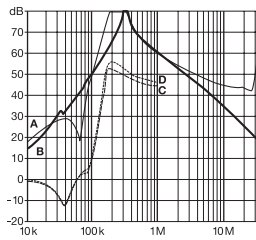
8 and 16A types



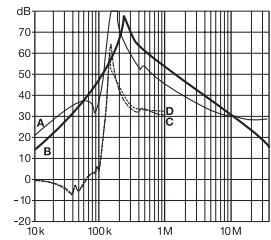
25 and 36A types



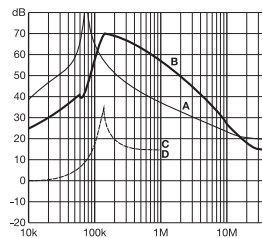
64 to 120A types



160 and 200A types

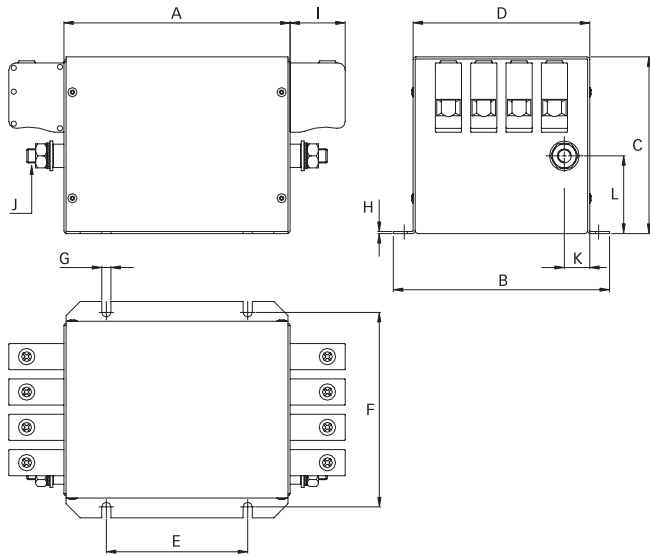


300 to 600A types

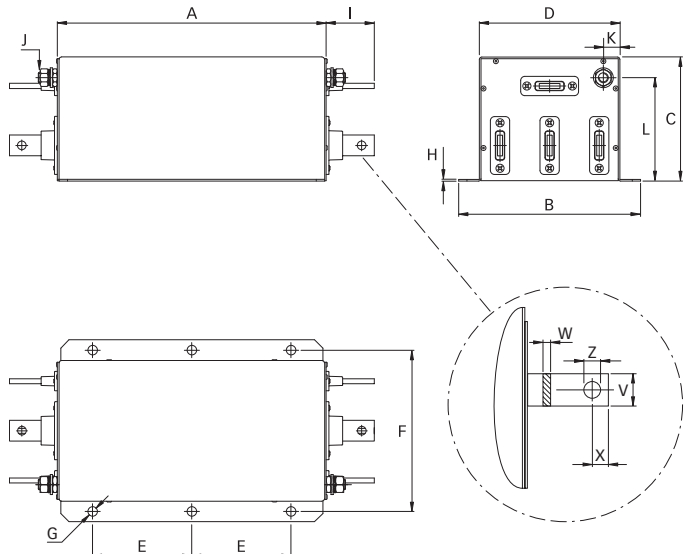


Mechanical data

8 to 200A types



300 to 600A types



Dimensions

	8A	16A	25A	36A	64A	80A	120A	160A	200A	300A	400A	600A
A	120	120	130	130	160	230	250	280	280	325	325	325
B	143	143	153	153	153	163	170	170	170	220	220	220
C	80	80	115	115	125	125	140	170	170	150	150	150
D	115	115	125	125	125	135	140	140	140	170	170	170
E	80	80	90	90	100	120	200	230	230	120	120	120
F	127.5	127.5	137.5	137.5	137.5	147.5	153.5	153.5	153.5	195	195	195
G	6.5	6.5	6.5	6.5	6.5	6.5	6.5	6.5	6.5	12	12	12
H	1	1	1	1	1.5	1.5	1.5	1.5	1.5	2	2	2
I	11.4	11.4	25	25	39	45	45	49.5	49.5	58	58	58
J	M6	M6	M6	M6	M10	M10	M10	M10	M10	M12	M12	M12
K	12	12	12	12	18	18	17.5	17.5	17.5	20	20	20
L	33	33	50	50	55	45	55	55	55	125	125	125
V										25	25	25
W										6	6	8
X										15	15	15
Z										Ø10.5	Ø10.5	Ø10.5

All dimensions in mm; 1 inch = 25.4mm
Tolerances according: ISO 2768-m / EN 22768-m

Filter input/output connector cross sections

	-29	-33	-34	-35	-40
Solid wire	6mm ²	16mm ²	35mm ²	50mm ²	95mm ²
Flex wire	4mm ²	10mm ²	25mm ²	50mm ²	95mm ²
AWG type wire	AWG 10	AWG 6	AWG 2	AWG 1/0	AWG 4/0
Recommended torque	0.6 - 0.8Nm	1.5 - 1.8Nm	4.0 - 4.5Nm	7 - 8Nm	17 - 20Nm

Please visit www.schaffner.com to find more details on filter connectors.



energy efficiency and reliability

Headquarters

Schaffner EMV AG

4542 Luterbach, Switzerland

T +41 32 681 66 26

F +41 32 681 66 41

sales@schaffner.com

www.schaffner.com

China

Schaffner EMC Ltd. Shanghai

T +86 21 6813 9855

cschina@schaffner.com

Finland

Schaffner Oy

T +358 19 357 271

finlandsales@schaffner.com

France

Schaffner EMC S.A.S.

T +33 1 34 34 30 60

francesales@schaffner.com

Germany

Schaffner EMV GmbH

T +49 721 56910

germanysales@schaffner.com

Schaffner Jacke GmbH

T +49 2951 6001 0

jacke-trafo@schaffner.com

Italy

Schaffner EMC S.r.l.

T +39 02 66 04 30 45

italysales@schaffner.com

Japan

Schaffner EMC K.K.

T +81 3 5456 0180

japansales@schaffner.com

Singapore

Schaffner EMC Pte Ltd.

T +65 6377 3283

singaporesales@schaffner.com

Sweden

Schaffner EMC AB

T +46 8 5792 1121

swedensales@schaffner.com

Switzerland

Schaffner EMV AG

T +41 32 681 66 26

sales@schaffner.ch

Taiwan

Schaffner EMV Ltd.

T +886 2 87525050

taiwansales@schaffner.com

Thailand

Schaffner EMC Co. Ltd.

T +66 53 58 11 04

thailandsales@schaffner.com

UK

Schaffner Ltd.

T +44 118 9770070

uksales@schaffner.com

USA

Schaffner EMC Inc.

T +1 732 225 9533

Toll free 1 800 367 5566

usasales@schaffner.com

To find your local partner within Schaffner's global network, please go to

www.schaffner.com

July 2010

© 2010 Schaffner EMC.

Specifications subject to change without notice. All trademarks recognized.

Schaffner is an ISO-registered company. Its products are designed and manufactured under the strict quality and environmental requirements of the ISO 9001 and ISO 14001 standards.

This document has been carefully checked. However, Schaffner does not assume any liability for errors or inaccuracies.