

3-phase Filters FN 258

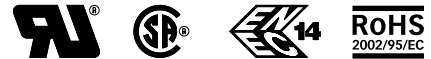
Book-style EMC/RFI Filter for Three-phase Inverters and Power Drive Systems

SCHAFFNER
energy efficiency and reliability

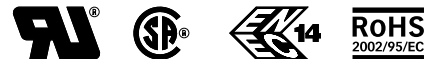


- Industry standard EMC solution for three-phase PDS filtering
- Slim space-saving book-style housing
- Solid safety connector blocks or optional wire output connections
- Excellent attenuation performance
- HV versions for up to 690VAC
- HVIT versions for IT distribution networks
- P/L versions with low leakage current

Approvals



UL / CSA: FN 258 up to 180A (ex. -180-07)



UL / CSA: HV and HVIT up to 600VAC

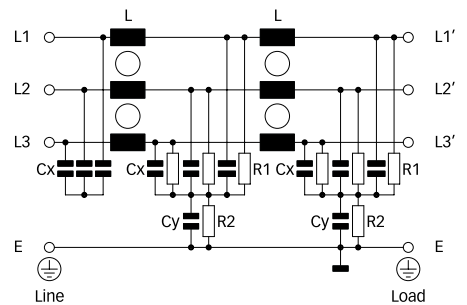
Technical specifications

| | |
|--|--|
| Maximum continuous operating voltage: | 3x 480/277VAC (FN 258, FN 258L, FN 258P) 3x 690/400VAC (FN 258HV, FN 258HVIT) |
| Operating frequency: | dc to 60Hz |
| Rated currents: | 7 to 250A @ 50° (480V filters) 7 to 130A @ 50° (690V filters) |
| High potential test voltage: | P → E 2650VDC for 2 sec (480V filters) P → P 2100VDC for 2 sec (480V filters) P → E 3100VDC for 2 sec (690V filters) P → P 3000VDC for 2 sec (690V filters) |
| Protection category: | IP20 |
| Overload capability: | 4x rated current at switch on, 1.5x rated current for 1 minute, once per hour |
| Temperature range (operation and storage): | -25°C to +100°C (25/100/21) |
| Flammability corresponding to: | UL 94V-2 or better |
| Design corresponding to: | UL 1283, CSA 22.2 No. 8 1986, IEC/EN 60939 |
| MTBF @ 50°C/400V (Mil-HB-217F): | 220,000 hours |

Features and benefits

- FN 258 range of filters provides state-of-the-art EMI attenuation based on an innovative multi-stage filter topology. They help to ensure compliance with Class A or even Class B limits.
- The slim book-style shape allows a convenient and space-saving installation next to inverters and motor drives.
- With 480VAC rating and filter modules from 7 to 250A, FN 258 are ready for the most diverse applications worldwide.
- FN 258HV filters up to 130A are designed for 690VAC distribution networks.
- FN 258HVIT filters up to 150A meet the special requirements for the application in industrial 690VAC IT distribution networks.
- FN 258L and FN 258P filters help to fulfill tough requirements in respect of leakage current limitation and provide an excellent solution to overcome problems with nuisance tripping of sensitive earth leakage detectors.

Typical electrical schematic



Note: HVIT versions without discharge resistor to ground.

Typical applications

- Three-phase variable speed drives and power drive systems (PDS)
- IT power distribution networks (FN 258HVIT)
- Applications comprising energy conversion devices (inverters, converters)
- Process automation equipment
- Three-phase power supplies and UPS
- Applications with low-leakage current requirements (FN 258L and FN 258P)

Filter selection table

| Filter* | Rated current @ 50°C (40°C) | Typical drive power rating** | Leakage current*** @ 440VAC/50Hz | Power loss @ 25°C/50Hz | Input connections | Output connections | Weight [kg] |
|-------------------|--------------------------------|---------------------------------|-------------------------------------|---------------------------|----------------------|-----------------------|----------------|
| | [A] | [kW] | [mA] | [W] | | | |
| FN 258-7-.. | 7 (7.7) | 4 | 16.5 | 9 | -29 | -07 -29 | 1.0 |
| FN 258-16-.. | 16 (17.5) | 7.5 | 18.3 | 20 | -29 | -07 -29 | 1.4 |
| FN 258-30-.. | 30 (33) | 15 | 24.2 | 21 | -33 | -07 -33 | 1.7 |
| FN 258-42-.. | 42 (46) | 22 | 25.8 | 30 | -33 | -07 -33 | 2.5 |
| FN 258-55-.. | 55 (60) | 30 | 25.8 | 30 | -34 | -07 -34 | 2.9 |
| FN 258-75-34 | 75 (82) | 37 | 25.8 | 24 | -34 | -34 | 3.9 |
| FN 258-100-35 | 100 (110) | 55 | 25.8 | 51 | -35 | -35 | 5.5 |
| FN 258-130-35 | 130 (143) | 75 | 30.0 | 50 | -35 | -35 | 6.9 |
| FN 258-180-.. | 180 (197) | 90 | 30.0 | 73 | -40 | -07 -40 | 11.0 |
| FN 258-250-.. | 250 (275) | 132 | 30.0 | 79 | -40 | -07 -40 | 12.0 |
| FN 258HV-7-29 | 7 (7.7) | 5.5 | 13.0 | 9 | -29 | -29 | 1.0 |
| FN 258HV-16-29 | 16 (17.5) | 11 | 19.0 | 20 | -29 | -29 | 1.5 |
| FN 258HV-30-33 | 30 (33) | 22 | 19.0 | 21 | -33 | -33 | 1.8 |
| FN 258HV-42-33 | 42 (46) | 30 | 21.6 | 30 | -33 | -33 | 2.6 |
| FN 258HV-55-34 | 55 (60) | 45 | 21.6 | 30 | -34 | -34 | 3.0 |
| FN 258HV-75-34 | 75 (82) | 55 | 21.6 | 24 | -34 | -34 | 4.3 |
| FN 258HV-100-35 | 100 (110) | 90 | 21.6 | 51 | -35 | -35 | 5.6 |
| FN 258HV-130-35 | 130 (143) | 110 | 25.0 | 50 | -35 | -35 | 7.1 |
| FN 258HVIT-7-29 | 7 (7.7) | 5.5 | 13.0 | 9 | -29 | -29 | 1.0 |
| FN 258HVIT-16-29 | 16 (17.5) | 11 | 19.0 | 20 | -29 | -29 | 1.5 |
| FN 258HVIT-30-33 | 30 (33) | 22 | 19.0 | 21 | -33 | -33 | 1.8 |
| FN 258HVIT-42-33 | 42 (46) | 30 | 21.6 | 30 | -33 | -33 | 2.6 |
| FN 258HVIT-55-34 | 55 (60) | 45 | 21.6 | 30 | -34 | -34 | 3.0 |
| FN 258HVIT-75-34 | 75 (82) | 55 | 21.6 | 24 | -34 | -34 | 4.3 |
| FN 258HVIT-100-35 | 100 (110) | 90 | 21.6 | 51 | -35 | -35 | 5.6 |
| FN 258HVIT-130-35 | 130 (143) | 110 | 25.0 | 50 | -35 | -35 | 7.1 |
| FN 258L-7-.. | 7 (7.7) | 4 | 0.8 | 9 | -29 | -07 -29 | 1.0 |
| FN 258L-16-.. | 16 (17.5) | 7.5 | 0.8 | 20 | -29 | -07 -29 | 1.4 |
| FN 258L-30-.. | 30 (33) | 15 | 0.8 | 21 | -33 | -07 -33 | 1.7 |
| FN 258L-42-.. | 42 (46) | 22 | 0.7 | 30 | -33 | -07 -33 | 2.5 |
| FN 258L-55-.. | 55 (60) | 30 | 0.7 | 30 | -34 | -07 -34 | 2.9 |
| FN 258L-75-34 | 75 (82) | 37 | 0.7 | 24 | -34 | -34 | 3.9 |
| FN 258L-100-35 | 100 (110) | 55 | 0.7 | 51 | -35 | -35 | 5.5 |
| FN 258L-130-35 | 130 (143) | 75 | 0.7 | 50 | -35 | -35 | 6.9 |
| FN 258L-180-.. | 180 (197) | 90 | 0.7 | 73 | -40 | -07 -40 | 11.0 |
| FN 258L-250-07 | 250 (275) | 132 | 0.7 | 79 | -40 | -07 | 12.0 |
| FN 258P-7-.. | 7 (7.7) | 4 | 3.3 | 9 | -29 | -07 -29 | 1.0 |
| FN 258P-16-.. | 16 (17.5) | 7.5 | 3.3 | 20 | -29 | -07 -29 | 1.4 |
| FN 258P-30-.. | 30 (33) | 15 | 3.3 | 21 | -33 | -07 -33 | 1.7 |
| FN 258P-42-.. | 42 (46) | 22 | 3.5 | 30 | -33 | -07 -33 | 2.5 |
| FN 258P-55-.. | 55 (60) | 30 | 3.5 | 30 | -34 | -07 -34 | 2.9 |
| FN 258P-75-34 | 75 (82) | 37 | 3.5 | 24 | -34 | -34 | 3.9 |
| FN 258P-100-35 | 100 (110) | 55 | 3.5 | 51 | -35 | -35 | 5.5 |
| FN 258P-130-35 | 130 (143) | 75 | 3.5 | 50 | -35 | -35 | 6.9 |
| FN 258P-180-.. | 180 (197) | 90 | 3.5 | 73 | -40 | -07 -40 | 11.0 |
| FN 258P-250-07 | 250 (275) | 132 | 3.6 | 79 | -40 | -07 | 12.0 |

* To compile a complete part number, please replace the .. with the required output connection style.

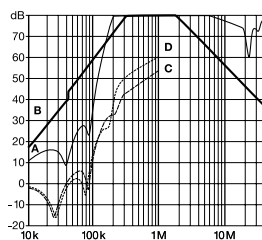
** Calculated at rated current, 440VAC (FN 258) / 690VAC (FN 258HV) and cos phi = 0.8. The exact value depends upon the efficiency of the drive, the motor and the entire application.

*** Maximum leakage under normal operating conditions (FN 258 at 440V, FN 258HV at 690V). Note: if two phases are interrupted, worst case leakage could reach 5.7 times higher levels.

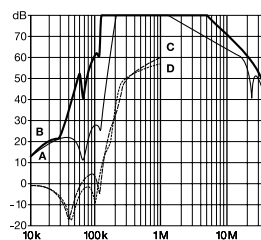
Typical filter attenuation

Per CISPR 17; A = 50Ω/50Ω sym; B = 50Ω/50Ω asym; C = 0.1Ω/100Ω sym; D = 100Ω/0.1Ω sym

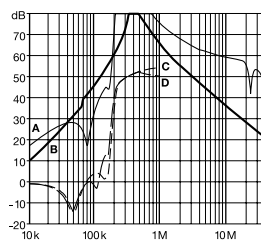
7 to 30A types



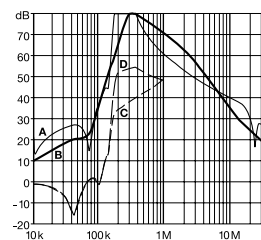
42 to 100A types



130A types



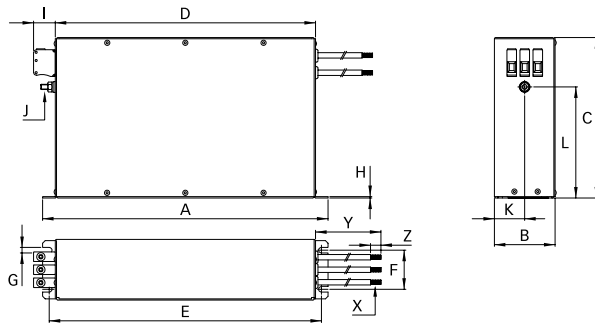
180 and 250A types



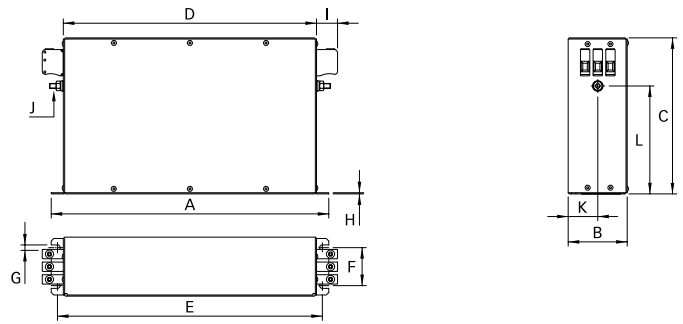
Note: typical attenuation performance of FN 258 standard filters. The behavior of FN 258HV, FN 258HVIT, FN 258P and FN 258L may be slightly different.

Mechanical data

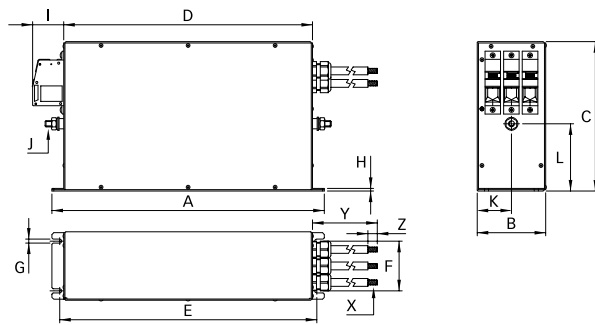
7 to 55A types (-07)



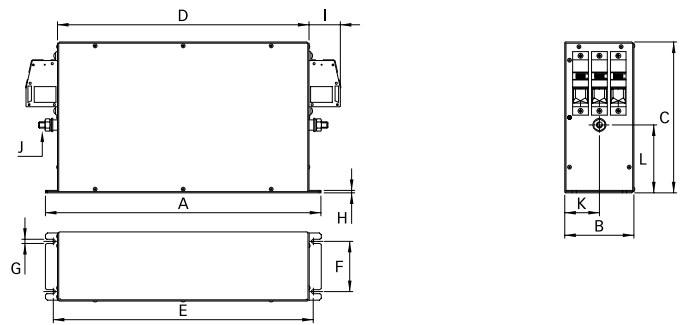
7 to 130A types (-29, -33, -34, -35)



180 and 250A types (-07)



180 and 250A types (-40)



Note: in favour of a better readability, connectors and earth studs are not shown in the horizontal projection.

Dimensions

| | 7A | 16A | 30A | 42A | 55A | 75A | 100A | 130A | 180A | 250A |
|----|---------|---------|---------|---------|---------|-----|------|------|-------------------|-------------------|
| A | 255 | 305 | 335 | 329 | 329 | 329 | 379 | 439 | 438 | 478 |
| B | 50 | 55 | 60 | 70 | 80 | 80 | 90 | 110 | 110 | 110 |
| C | 126 | 142 | 150 | 185 | 185 | 220 | 220 | 240 | 240 | 240 |
| D | 225 | 275 | 305 | 300 | 300 | 300 | 350 | 400 | 400 | 440 |
| E | 240 | 290 | 320 | 314 | 314 | 314 | 364 | 414 | 413 | 453 |
| F | 25 | 30 | 35 | 45 | 55 | 55 | 65 | 80 | 80 | 80 |
| G | 6.5 | 6.5 | 6.5 | 6.5 | 6.5 | 6.5 | 6.5 | 6.5 | 6.5 | 6.5 |
| H | 1 | 1 | 1 | 1.5 | 1.5 | 1.5 | 1.5 | 3 | 4 | 4 |
| I | 10.9 | 10.9 | 25 | 25 | 39 | 39 | 45 | 45 | 51 | 51 |
| J | M5 | M5 | M5 | M6 | M6 | M6 | M10 | M10 | M10 | M10 |
| K | 25 | 27.5 | 30 | 35 | 40 | 40 | 45 | 55 | 55 | 55 |
| L | 85 | 100 | 110 | 130 | 105 | 140 | 130 | 140 | 110 | 110 |
| X* | AWG 16 | AWG 14 | AWG 10 | AWG 8 | AWG 6 | | | | 50mm ² | 70mm ² |
| Y* | 300 ±10 | 300 ±10 | 400 ±10 | 500 ±10 | 500 ±10 | | | | 500 ±10 | 500 ±10 |
| Z* | 9 | 9 | 9 | 12 | 12 | | | | 15 | 15 |

* Filters with output wire connections (-07) only.

All dimensions in mm; 1 inch = 25.4mm

Tolerances according: ISO 2768-m / EN 22768-m

Filter input/output connector cross sections

| | -29 | -33 | -34 | -35 | -40 |
|---------------------------|------------------|-------------------|-------------------|-------------------|-------------------|
| Solid wire | 6mm ² | 16mm ² | 35mm ² | 50mm ² | 95mm ² |
| Flex wire | 4mm ² | 10mm ² | 25mm ² | 50mm ² | 95mm ² |
| AWG type wire | AWG 10 | AWG 6 | AWG 2 | AWG 1/0 | AWG 4/0 |
| Recommended torque | 0.6 - 0.8Nm | 1.5 - 1.8Nm | 4.0 - 4.5Nm | 7 - 8Nm | 17 - 20Nm |

Please visit www.schaffner.com to find more details on filter connectors.

Your local partner: To find your local partner within Schaffner's global network, please go to www.schaffner.com

**Headquarters and
global innovation and
development center**

Schaffner Group
Nordstrasse 11
4542 Luterbach
Switzerland
T +41 32 681 66 26
F +41 32 681 66 30
info@schaffner.ch
www.schaffner.com

Sales and application centers

China
Schaffner EMC Ltd. Shanghai
Building 11, Lane 1365
East Kangqiao Road
Shanghai 201319
T +86 21 6813 9855
F +86 21 6813 9811
cschina@schaffner.com
www.schaffner.com

Germany
Schaffner Deutschland GmbH
Schoemperlenstrasse 12B
76185 Karlsruhe
T +49 721 56910
F +49 721 569110
germanysales@schaffner.com

Finland
Schaffner Oy
Tynninkuja 7
08700 Lohja
T +358 19 35 72 71
F +358 19 32 66 10
finlandsales@schaffner.com

France
Schaffner EMC S.A.S.
112, Quai de Bezons
95103 Argenteuil
T +33 1 34 34 30 60
F +33 1 39 47 02 28
francesales@schaffner.com

Italy
Schaffner EMC S.r.l.
Via Galileo Galilei, 47
20092 Cinisello Balsamo (MI)
T +39 02 66 04 30 45/47
F +39 02 61 23 943
italysales@schaffner.com

Japan
Schaffner EMC K.K.
Mitsui-Seimei Sangenjaya Bldg. 7F
1-32-12, Kamiyama, Setagaya-ku
Tokyo 154-0011
T +81 3 5712 3650
F +81 3 5712 3651
japansales@schaffner.com
www.schaffner.jp

Sweden
Schaffner EMC AB
Turebergstorg 1, 6
19147 Sollentuna
T +46 8 5792 1121/22
F +46 8 92 96 90
swedensales@schaffner.com

Switzerland
Schaffner EMV AG
Nordstrasse 11
4542 Luterbach
T +41 32 681 66 26
F +41 32 681 66 41
sales@schaffner.ch

Singapore
Schaffner EMC Pte Ltd.
Blk 3015A Ubi Road 1
05-09 Kampong Ubi Industrial
Estate
T +65 6377 3283
F +65 6377 3281
singaporesales@schaffner.com

Spain
Schaffner EMC España
Calle Caléndula 93,
Miniparc III, Edificio E
El Soto de la Moraleja,
Alcobendas
28109 Madrid
T +34 618 176 133
spainsales@schaffner.com

Taiwan
Schaffner EMV Ltd.
6th Floor, No 413
Rui Guang Road
Neihu District
Taipei City 114
T +886 2 87525050
F +886 2 87518086
taiwansales@schaffner.com

Thailand
Schaffner EMC Co. Ltd.
Northern Region Industrial Estate
67 Moo 4 Tambon Ban Klang
Amphur Muang P.O. Box 14
Lamphun 51000
T +66 53 58 11 04
F +66 53 58 10 19
thailandsales@schaffner.com

UK
Schaffner Ltd.
5 Ashville Way
Molly Millars Lane
Wokingham
Berkshire RG41 2PL
T +44 118 9770070
F +44 118 9792969
uksales@schaffner.com
www.schaffner.uk.com

USA
Schaffner EMC Inc.
52 Mayfield Avenue
Edison, New Jersey 08837
T +1 732 225 9533
F +1 732 225 4789
usasales@schaffner.com
www.schaffner.com/us

To find your local partner within
Schaffner's global network, please go to

www.schaffner.com

May 2011

© 2011 Schaffner EMC.
Specifications subject to change without
notice. All trademarks recognized.

Schaffner is an ISO-registered company.
Its products are designed and manufac-
tured under the strict quality and environ-
mental requirements of the ISO 9001 and
ISO 14001 standards.

This document has been carefully
checked. However, Schaffner does not
assume any liability for errors or inac-
curacies.