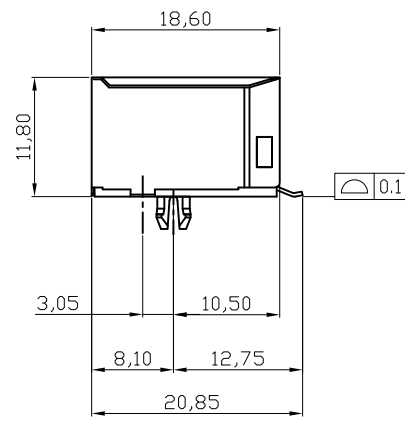
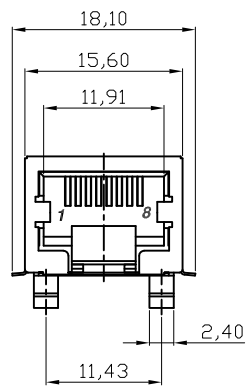


A
B
C
D
E
F
G
H

A
B
C
D
E
F
G
H



NOTES:

MATERIAL

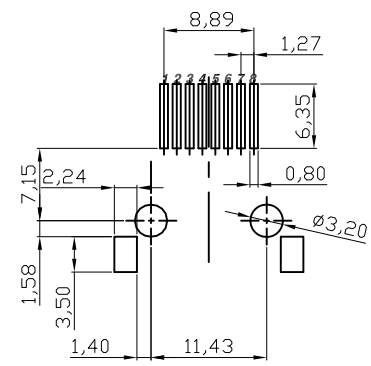
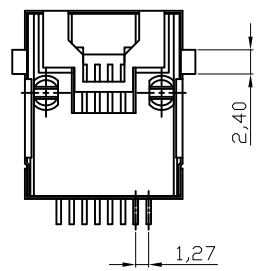
- 1.Housing(Optional):
Nylon(UL94V-0),Soldering Temperature: 260°C
- 2.Color : Black Color
- 3.Spring Wire : 0.35mm Thickness Phosphor bronze
6μ" Gold Plating Over Nickel
- 4.Shielded : Brass Plating Nickel

ELECTRICAL

- 1.Current Rating : 1.5A Max
- 2.Voltage Rating : 120V AC
- 3.Insulation Resistance: 500MΩ Min. 500V DC for 1 minute
- 4.Contact Resistance : 20mΩ Max.
- 5.Dielectric Voltage : 1000 Vrms at 1MA 60 Sec. Min

ENVIRONMENTAL

- 1.Temperature Range: -40°C to +85°C
 - 2.Durability : 500 Mating cycles Min.
- PACKING: Tray



PCB Layout
(Top View)

RoHS compliant
Unit:mm

Scale	Free						Date	Name	Customer-No.
TOLERANCE						Drawn	22.06.2012	Lucas	
.XX	±0.25					Approved	22.06.2012	Winnie	
.XXX	±0.13								
.XXXX	±0.05								
DIM	TOL								Drawing-No.
Angle	+0°30'								
X.X°	±X°	©	Drawn		22.06.2012	Lucas			
Angle	TOL	Id.	Modification		Date	Name			



Customer-No.		
Drawing-No.		
ASS 4823 CO	rev00	
Replace	Sheet	