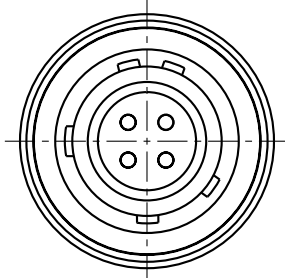
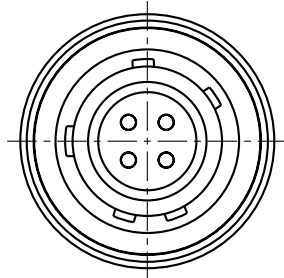


Additional coding
View in direction B



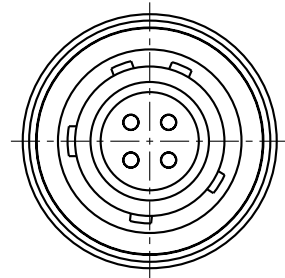
A10YBR-P04XFG0-0000

Mechanical coding: B
Color coding: red



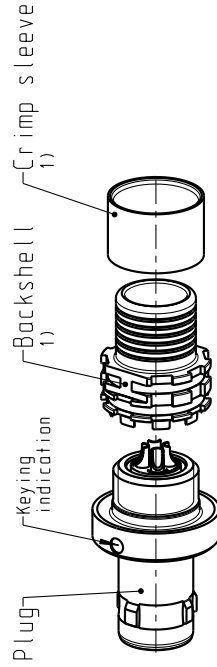
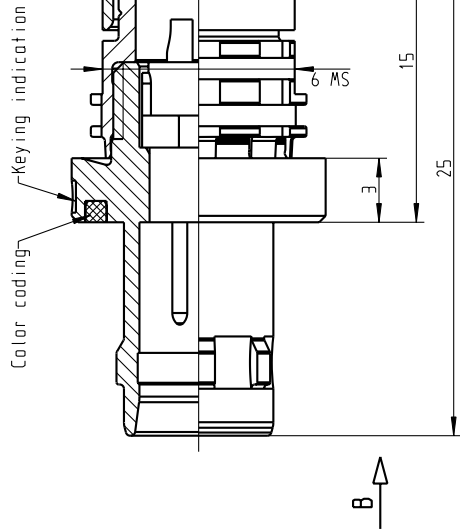
A10YCR-P04XFG0-0000

Mechanical coding: C
Color coding: blue



A10YDR-P04XFG0-0000

Mechanical coding: D
Color coding: green



Delivery condition
2:1

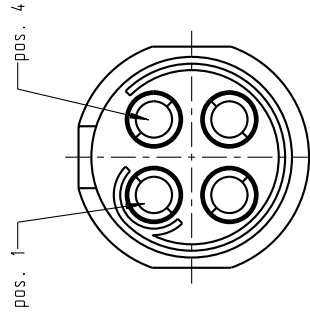
Technical information

- Max. cable \varnothing 5.5mm (Based on cable with one braided shield)
- Solder contacts: AWG22
- Current load: 7A@140° (Single contact)
7A@140° (Insert)
- Test voltage: 900V (acc. SAE AS 13441:1998, Contact to contact)
- Rated voltage: 300V (acc. SAE AS 13441:1998) 2)
- For more technical information and accessories see catalogue (www.odu.de/amc)

1) For crimp information, torque, etc. see assembly instruction 010.645.001.000.004 (www.odu.de/amc/assembly)

2) Maximal operating voltage at sea level up to 2.000m. Rated voltage applies no other electrical safety standard. In case other standards rule a specific use of the connector, the application specific safety criteria shall be considered first. This must be evaluated in the frame of equipment engineering.

Only insert
View in direction A
8:1



A10YAR-P04XFG0-0000

Mechanical coding: A
Color coding: light brown

Dimensions without tolerances acc. to middle DIN ISO 2768		PE-modell-nr.:	
2011	date	CAO-nr.:	00051327
2011	date	name	00051327
20.12.	date	name	00051327
app.	date	name	00051327
norm.	date	name	00051327
index notice date name		sheet.: 00051327	
index notice date name		scale: 4 : 1	
index notice date name		designation: Break-Away Plug AMC Standard Version	
index notice date name		drawing nr.: A10Y.R-P04XFG0-0000	
index notice date name		replacement for:	
index notice date name		nr.	



otto dunkel gmbh