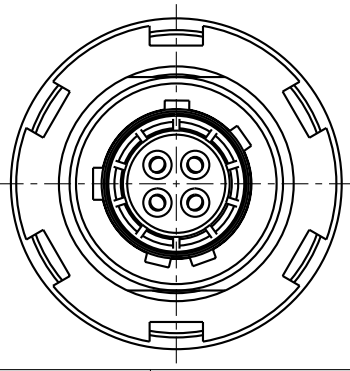
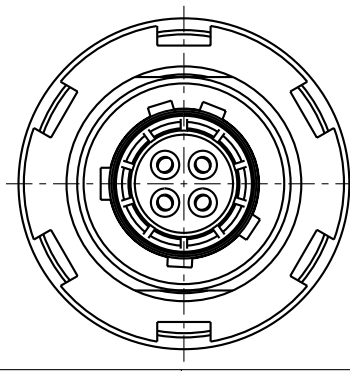


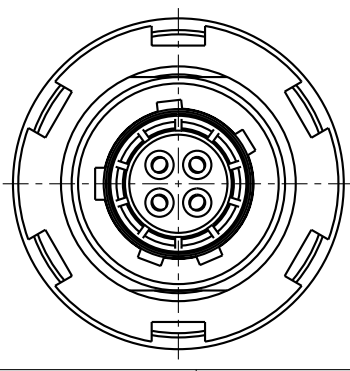
Additional coding
View in direction B



GK0YBR-P04WFG0-000L
Mechanical coding: B
Color coding: red

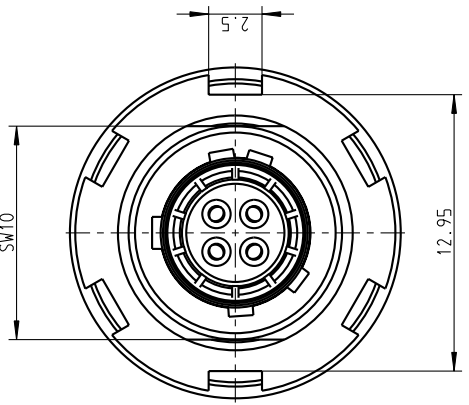
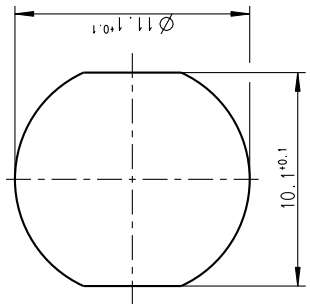


GK0YCR-P04WFG0-000L
Mechanical coding: C
Color coding: blue

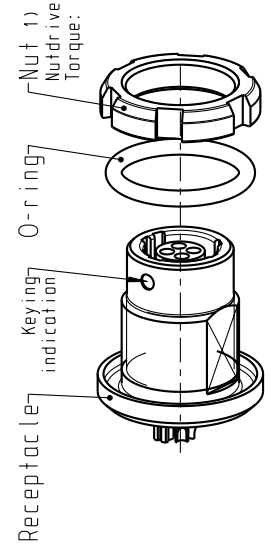


GK0YDR-P04WFG0-000L
Mechanical coding: D
Color coding: green

Panel cut-out



GK0YAR-P04WFG0-000L
Mechanical coding: A
Color coding: light brown



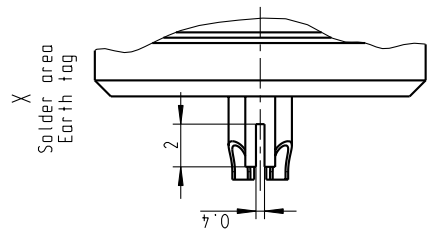
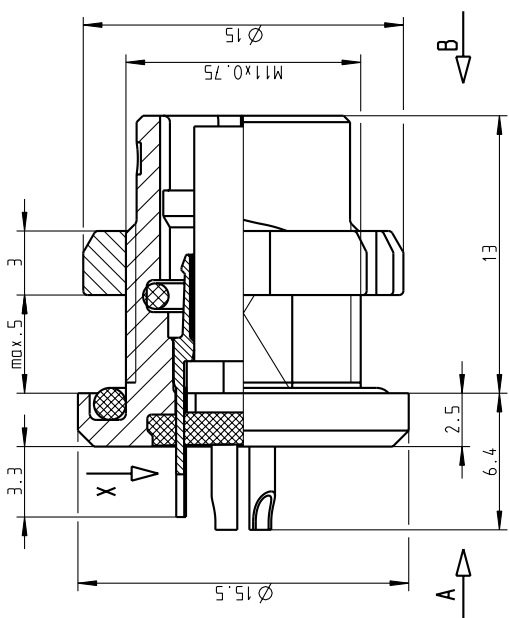
Nut 1)
Nutdriver: 700.098.001.000.000
Torque: 1.0 Nm

Delivery condition
2:1

Technical information

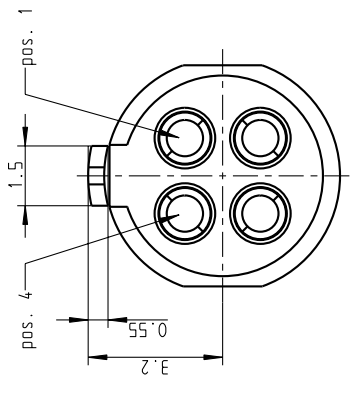
- Solder contacts: AMG22
- Current load: 7A@ 140° (Single contact)
7A@ 140° (Insert)
- Test voltage: 900V (acc. SAE AS 13441:1998, Contact to contact)
- Rated voltage: 300V (acc. SAE AS 13441:1998) 2)
- For more technical information and accessories see catalogue (www.odu.de/amc)

1) ODU recommend an additional locking of the nut with adhesive (e.g. Loctite 2701) to the screw thread.
2) Maximal operating voltage at sea level up to 2.000m. Rated voltage applies to other electrical safety standard. In case other standards rule a specific use of the connector, the application specific safety criteria shall be considered first. This must be evaluated in the frame of equipment engineering.



X
Solder area
Earth tag

Only insert and earth tag
View in direction A
8:1



All shown connectors are according to DIN EN 61984:2009 connectors without breaking capacity (COC)!

Dimensions without tolerances acc. to middle		DIN ISO 2768	
2012	date		
prep. 01.03	M. Meier		
app.			
norm.			
	name		
	00051911		
	CAO-nr.:		
	PE-model nr.:		
	sheet.:		
designation:		Receptacle style K AMC Standard Version	
scale:		4 : 1	
drawing nr.:		GK0Y.R-P04WFG0-000L	
replacement for:			
name		otto dunkel gmbh	
date			
index notice			

Für diese Unterlage behalten wir uns alle Rechte vor, auch für den Fall der Weitergabe oder der Nachdruck. Sie darf ohne unsere vorherige schriftliche Zustimmung weder vervielfältigt noch sonstige benutzt, noch Dritten zugänglich gemacht werden.

Nur rot gestempelte oder auf Lokalis gedruckte Dokumente unterliegen dem Änderungsdienst und sind zur Fertigung freigegeben. Only red stamped or on located printed documents are managed. These documents are approved for production.

All Rights reserved, including possible patents to a third party or applied in any form without prior written permission.