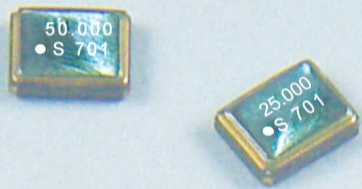


CRYSTAL OSCILLATORS



CERAMIC SMD TYPE SCO-22

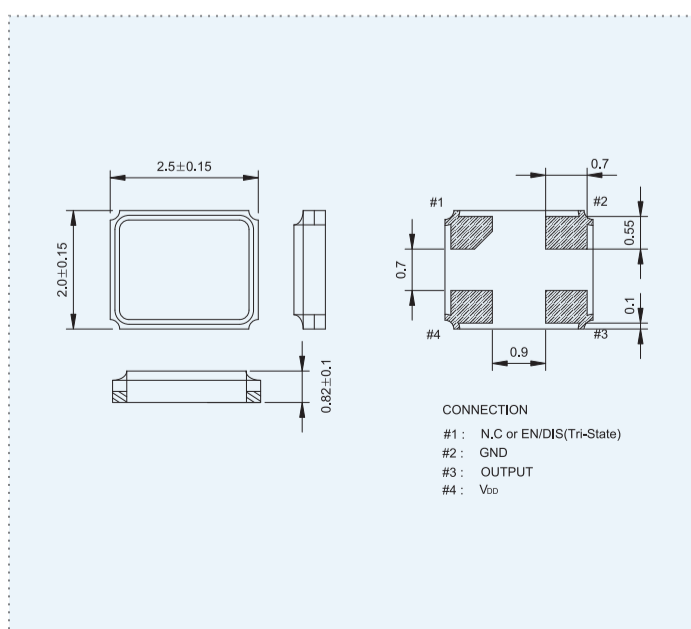
- Ceramic SMD package
- 1.8 / 2.5 / 3.3 supply voltage
- HCMOS output
- Stability to $\pm 20\text{ppm}$
- Tri-state function available
- Reflow soldering is possible
- Available on tape and reel

ELECTRICAL SPECIFICATIONS

Frequency Range	1.000 to 50.000MHz	
Operating Temperature Range	0 to +70°C or -40 to +85°C	
Storage Temperature Range	-55 to +125°C	
Frequency Tolerance / Stability	Inclusive of Operating Temperature Range, Supply Voltage, and Load	$\pm 100\text{ppm}$, $\pm 50\text{ppm}$ or $\pm 25\text{ppm}$, $\pm 20\text{ppm}$
Supply Voltage(V _{DD})	3.3, 2.5, 1.8V _{DC} $\pm 10\%$	
Input Current	10mA max.	
Output Voltage Logic High(V _{OH})	w/HCMOS Load	90% of V _{DD} min.
Output Voltage Logic Low(V _{OL})	w/HCMOS Load	10% of V _{DD} max.
Rise / Fall Time	1.000 to 50.000MHz	10ns max.
Duty Cycle	50 $\pm 10\%$ (STD) 50 $\pm 5\%$ (Optional)	
Load Drive Capability	15pF HCMOS Load(STD)	
Pin 1 Tri-state Input Voltage	No Connection V _{IH} : $\geq 0.7V_{DD}$ V _{IL} : $\leq 0.3V_{DD}$	Enable Output Enable Output Disable Output : High Impedance
Aging (at 25°C)	$\pm 3\text{ppm}$, $\pm 5\text{ppm}/\text{year}$ max.	
Start-up Time	10ms max.	
Period Jitter : pk-pk	$\pm 100\text{ps}$ max.	
Period Jitter : One Sigma	$\pm 25\text{ps}$ max.	
Phase Jitter(12kHz to 20MHz)	1 ps max.	

MECHANICAL DIMENSIONS

(mm)



LAND PATTERN

(mm)

