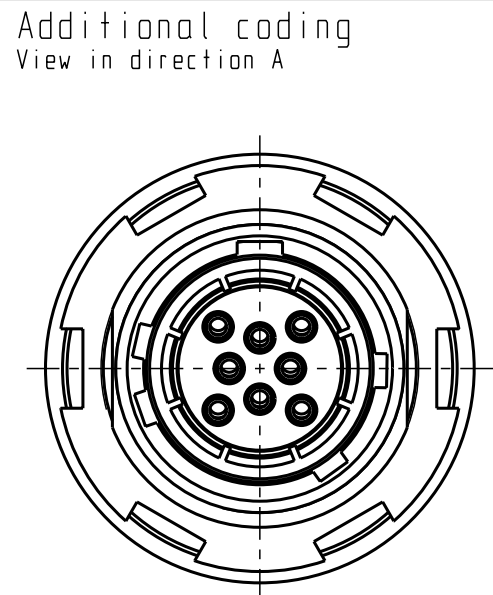


Für diese Unterlage behalten wir uns alle Rechte vor, auch für den Fall der Patentierung oder Gebrauchsmusteranmeldung. Sie darf ohne unsere vorherige schriftliche Zustimmung weder vervielfältigt noch sonstwie benutzt, noch Drucken zugänglich gemacht werden.

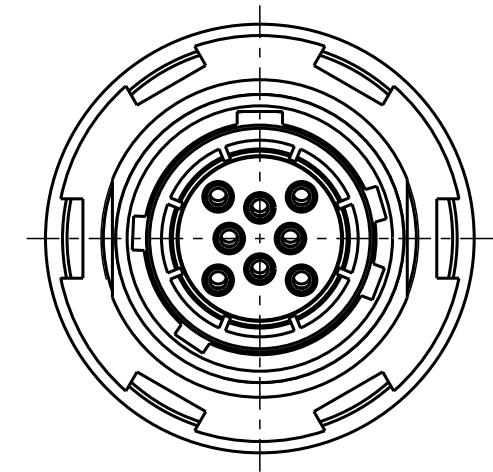
Nur rol gestempelte oder auf Laufrkarte gedruckte Dokumente unterliegen dem Änderungsdienst und sind zur Fertigung freigegeben. Only red stamped or on jobcard printed documents are managed. These documents are approved for production.

All Rights reserved, including possible patents or trademarks. Documents shall not be provided to a third party or duplicated in any form without prior written permission.

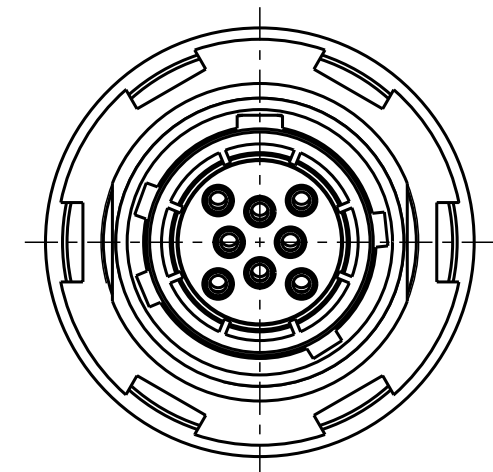
CAD: Pro/ENGINEER



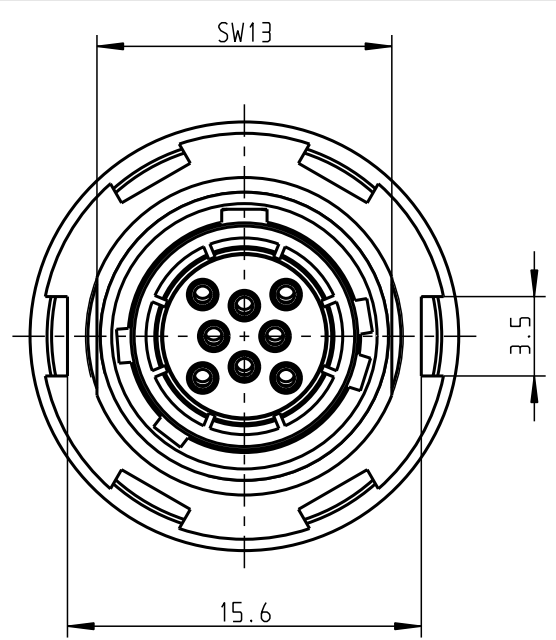
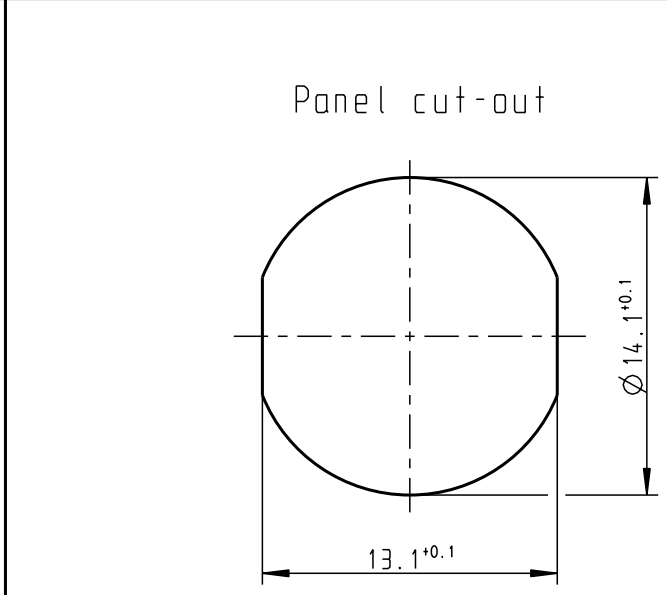
GKAYBR-PD8UF00-000L  
Mechanical coding: B  
Color coding: red



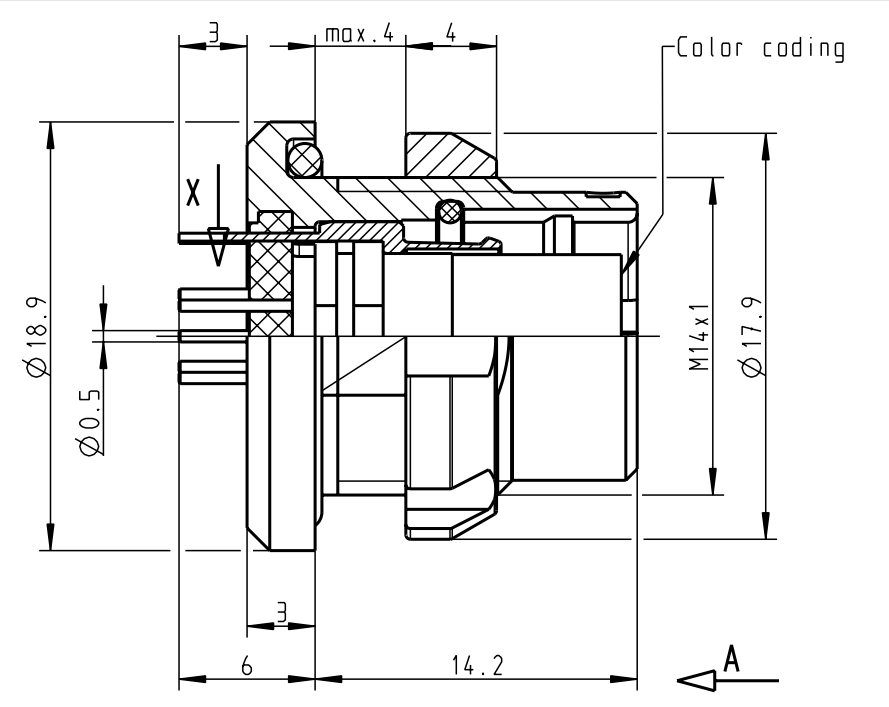
GKAYCR-PD8UF00-000L  
Mechanical coding: C  
Color coding: blue



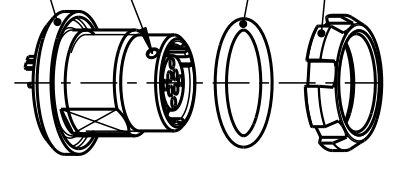
GKAYDR-PD8UF00-000L  
Mechanical coding: D  
Color coding: green



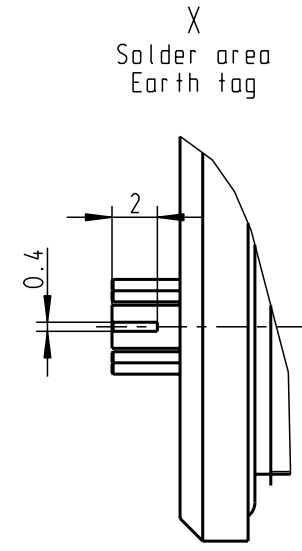
GKAYAR-PD8UF00-000L  
Mechanical coding: A  
Color coding: light brown



Keying indication O-ring Nut 1)  
Receptacle Nutdriver: 701.098.002.000.000  
Torque: 3.0 Nm



Delivery condition 1:1



Technical information

- Print contacts
- Current load: 7A@Δ+40° (Single contact)  
4.55A@Δ+40° (Insert)
- Test voltage: 1200V (acc. SAE AS 13441:1998, Contact to contact)
- Rated voltage: 400V (acc. SAE AS 13441:1998) 2)
- Information technology: CAT 5 (acc. IEC 11801)
- \*usable for: - Gigabit-Ethernet  
- Fast-Ethernet  
- and other equivalent protocols
- \*differential pairs: - Insertion loss better -0.1dB @100MHz  
- Return loss better -35dB @100MHz  
- NEXT better -55dB @100MHz  
(testreport on request)

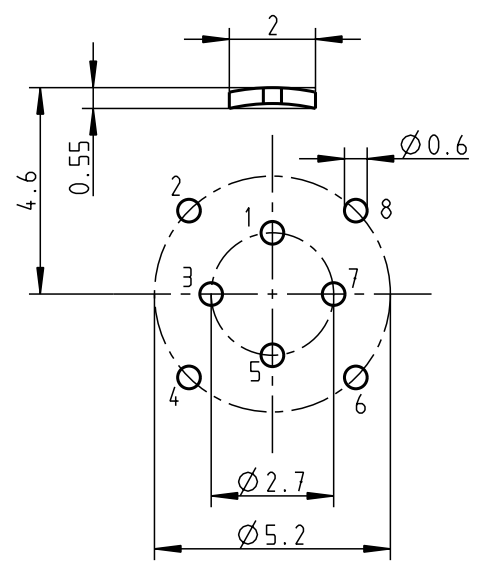
- For more technical information and accessories see catalogue (www.odu.de/amc)


- 1) ODU recommend an additional locking of the nut with adhesive (e.g. Loctite 2701) to the screw thread.
- 2) Maximal operating voltage at sea level up to 2.000m. Rated voltage applies no other electrical safety standard. In case other standards rule a specific use of the connector, the application specific safety criteria shall be considered first. This must be evaluated in the frame of equipment engineering.

All shown connectors are according to DIN EN 61984:2009 connectors without breaking capacity (COC) !

pos	color
1	white/green
2	green
3	white/brown
4	brown
5	white/blue
6	blue
7	white/red
8	red

PCB-Layout View in mating direction A 6:1



index				notice		date		name		Dimensions without tolerances acc. to middle DIN ISO 2768		PE-modell-nr.:	
												CAD-nr.: 00050599 sheet.:	
										2011 date name		designation:	
										prep. 14.09. M. Meier		Receptacle style K AMC Standard Version scale: 3:1	
										app.		drawing nr.:	
										norm.		GKAY.R-PD8UF00-000L copy	
										 otto dunkel gmbh		replacement for: nr.	