

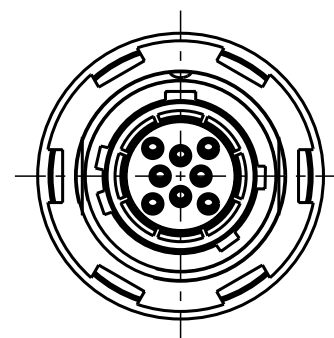
Für diese Unterlage behalten wir uns alle Rechte vor, auch für den Fall der Patentierung oder Gebrauchsmusteranmeldung. Sie darf ohne unsere vorherige schriftliche Zustimmung weder vervielfältigt noch sonstwie benutzt, noch Drucken zugänglich gemacht werden.

Nur rot gestempelte oder auf Laufr Karte gedruckte Dokumente unterliegen dem Änderungsdienst und sind zur Fertigung freigegeben. Only red stamped or on job card printed documents are managed. These documents are approved for production.

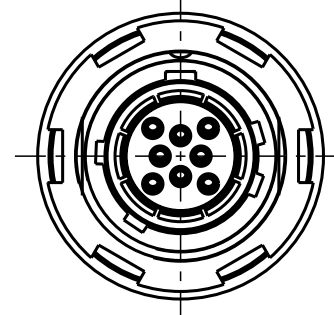
All Rights reserved, including possible patents or trademarks. Documents shall not be provided to a third party or duplicated in any form without prior written permission.

CAD: Pro/ENGINEER

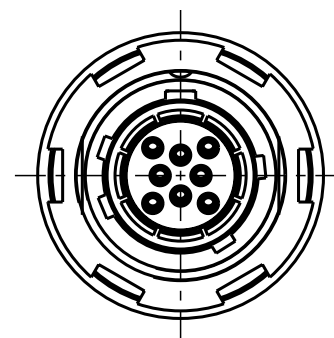
Additional coding  
View in direction A  
2:1



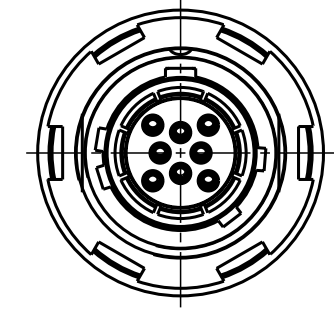
G8AYBR-PD8UF00-000L  
Mechanical coding: B  
Color coding: red



G8AYCR-PD8UF00-000L  
Mechanical coding: C  
Color coding: blue

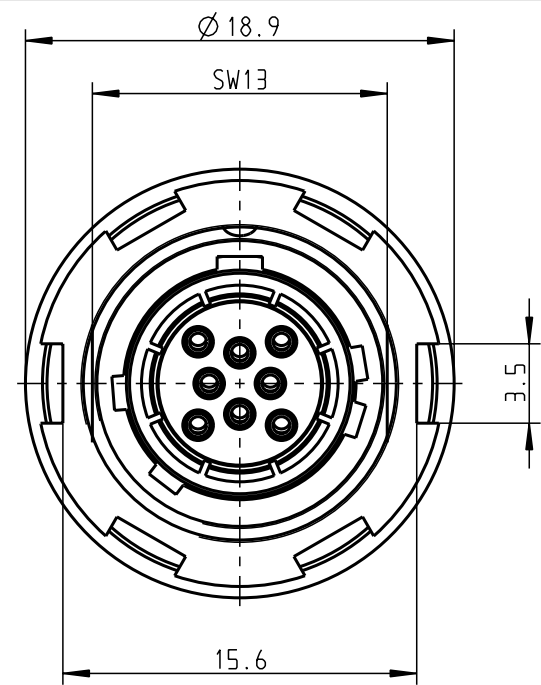
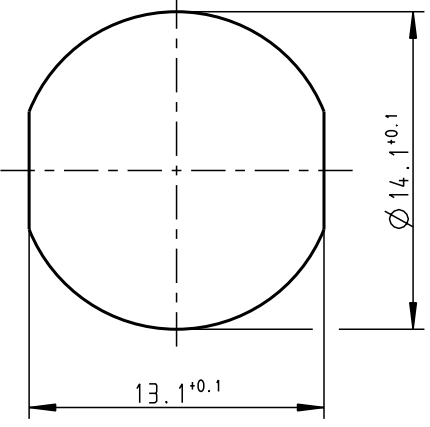


G8AYDR-PD8UF00-000L  
Mechanical coding: D  
Color coding: green

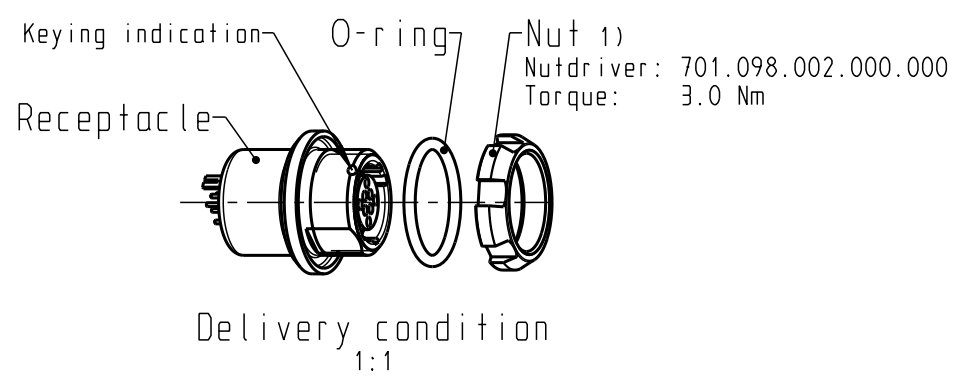
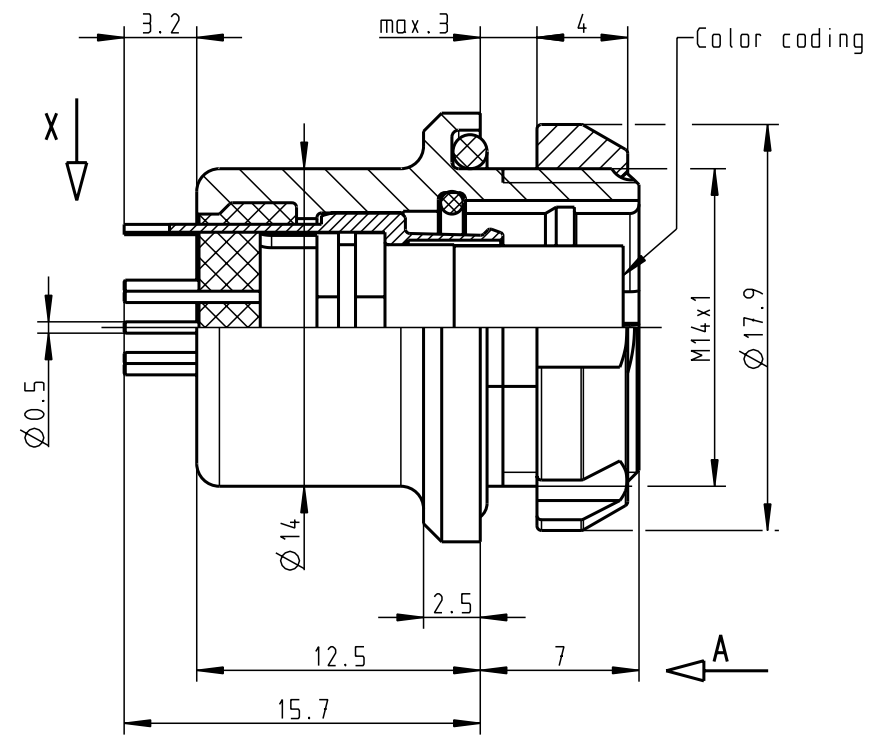


G8AYER-PD8UF00-000L  
Mechanical coding: E  
Color coding: grey

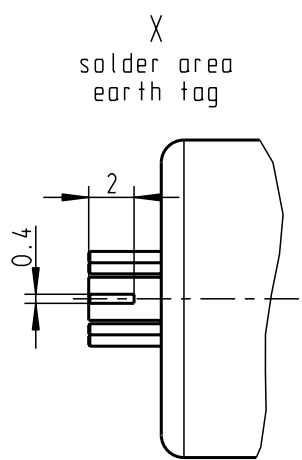
Panel cut-out



G8AYAR-PD8UF00-000L  
Mechanical coding: A  
Color coding: light brown



Delivery condition  
1:1



Technical information

- Print contacts
- Current load: 7A@Δ+40° (Single contact)  
4.55A@Δ+40° (Insert)
- Test voltage: 1200V (acc. SAE AS 13441:1998, Contact to contact)
- Rated voltage: 400V (acc. SAE AS 13441:1998) 2)
- Information technology: CAT 5 (acc. IEC 11801)
- \*usable for: - Gigabit-Ethernet  
- Fast-Ethernet  
- and other equivalent protocols
- \*differential pairs: - Insertion loss better -0.1dB @100MHz  
- Return loss better -35dB @100MHz  
- NEXT better -55dB @100MHz  
(testreport on request)

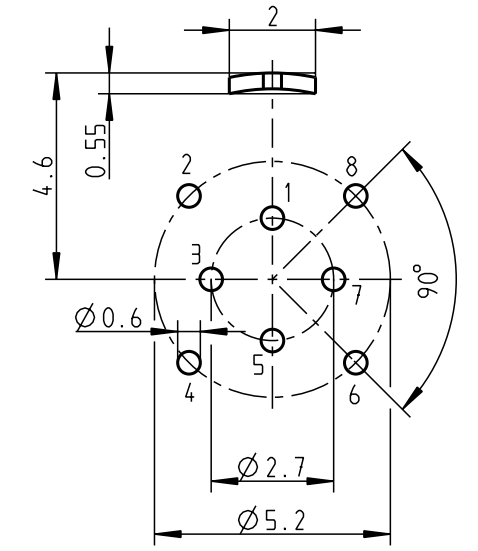
- For more technical information and accessories see catalogue (www.odu.de/amc)

- 1) ODU recommend an additional locking of the nut with adhesive (e.g. Loctite 2701) to the screw thread.
- 2) Maximal operating voltage at sea level up to 2.000m. Rated voltage applies no other electrical safety standard. In case other standards rule a specific use of the connector, the application specific safety criteria shall be considered first. This must be evaluated in the frame of equipment engineering.

All shown connectors are according to DIN EN 61984:2009 connectors without breaking capacity (COC)!

Connection diagram	
pos	color
1	white/green
2	green
3	white/brown
4	brown
5	white/blue
6	blue
7	white/red
8	red

PCB-Layout  
view in mating direction A  
6:1



General tolerances to DIN ISO 2768-mK				PE-modell-nr.:	
Tolerance to DIN ISO 8015				CAD-nr.: 00050480	
2011 date name		designation:		sheet.:	
prep. 25.10. M. Meier		Receptacle style 8 AMC Standard Version		3:1	
app.		drawing nr.:		copy	
norm.		G8AY.R-PD8UF00-000L		nr.	
a ----- 05.07.12 M. Meier		replacement for:			
index	notice	date	name	otto dunkel gmbh	

