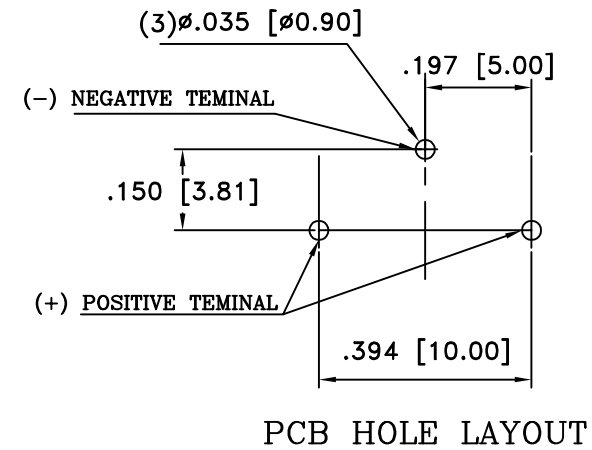
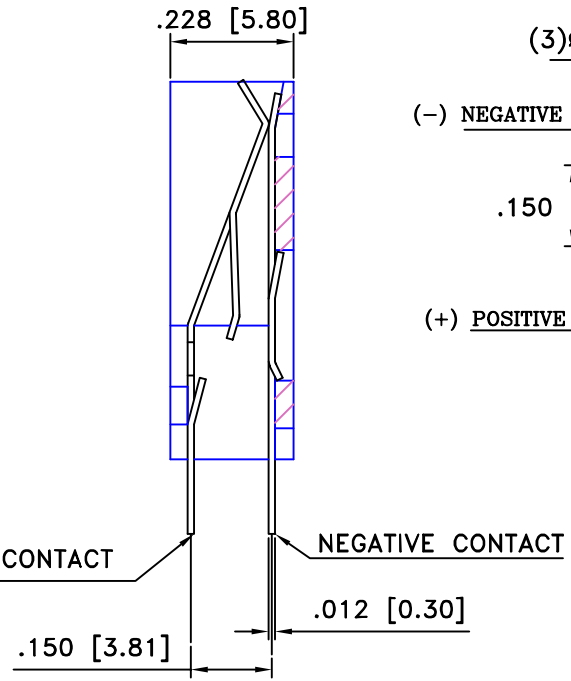
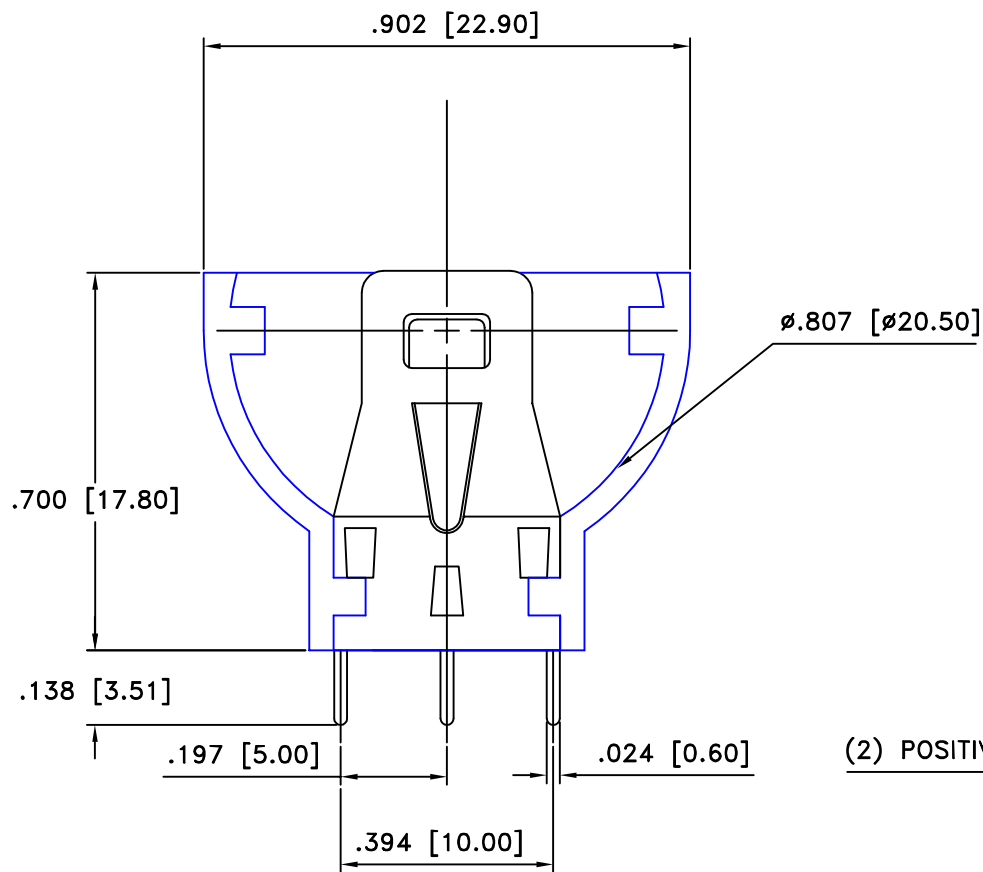



Date	SYM	REVISION RECORD	AUTH	DR.	CK.
10/22/05	A	ADDED "ROHS COMPLIANT"	T.B.	B.S.	
9/23/06	B	DELETED DIM. 0.960 [24.4]	T.B.	B.S.	
11/11/06	C	ADDED UL FILE NO.	T.B.	B.S.	
3/10/07	D	30% GLASS FILLED WAS 33%	T.B.	B.S.	



MATERIAL
 BODY: FR-NYLON WITH 30% GLASS FILLED, UL FILE NO. E245249
 FLAMMABILITY RATING: UL94V-0
 CONTACT: PHOSPHOR BRONZE

FINISH
 CONTACT: TIN PLATED OVER NICKEL

SPECIFICATIONS
 APPLICATION FOR 3V LITHIUM BATTERY
 INSULATOR RESISTANCE: 5000 M MIN.
 OPERATION TEMPERATURE: -55°C TO +105°C
 DURABILITY: 50 CYCLES MIN
 CONTACT RESISTANCE: 30 M MAX
 ROHS COMPLIANT

Tolerance (Except as noted)	 Memory protection Devices, Inc 200 Broad Hollow Road, Farmingdale, New York 11735	Scale 4=1	Drawn By T.S.
			Approved By T.B.
decimal ±.5 (.020)	Title BR/CR 2032 VERTICAL LITHIUM BATTERY HOLDER		
Fractional ± .8 (.030)	Date 3/10/07	Drawing Number BS-5	
Angular ± 3°			