



Power Quality Products FN 5040 HV

SCHAFFNER
energy efficiency and reliability

LC Sine Wave Filter for 600 VAC and 690 VAC Motor Drives Applications



- Smooth sine wave without voltage peaks
- Motor protection against pulse pattern stress
- Improvement of system reliability
- Reduces bearing currents
- Ideal for retrofit installations
- Fits for long motor cable lengths (≤ 2000 m)
- Motor drive power range up to 1,200 kW

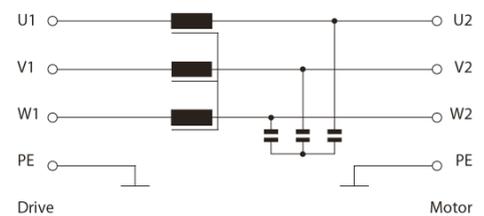
Approvals



Technical specifications

Acoustic noise level:	<70 dB (A) @ 1 m
Capacitors:	UL810-approved
Creepage and clearance distances:	According UL 508
Datasheet Image:	FN_5040HV-260-99_weiss_03.jpg
Design corresponding to :	IEC 61558-2-20
Environmental reliability:	IEC 60068-2-1
Flammability corresponding to:	UL 94 V-2 or better
High potential test voltage :	P → E 3600 VAC, 1 minute P → P 3600 VAC (without Caps), 1 minute P → P 2600 VDC, 1 minute
Impedance (uk):	8 to 10 % @ 690 V, 50 Hz and rated current
Inductors:	UL-approved Electrical Insulation System (EIS) class 200 (N)
Insulation class :	EIS 200
Motor cable length:	Up to 2,000 m (see graph)
Motor frequency :	0 to 70 Hz (up to 200 Hz with derating according graph)
Nominal operating voltage :	3 × 690 VAC ±10 %
Overload capability :	1.5 × rated current for 1 minute, once per hour
Performance indicators:	FN5040HV.jpg
Protection category :	IP00
Rated currents :	13 to 1320 A @ 45 °C
Residual ripple voltage:	<5 %
Switching frequency:	See filter selection table
Temperature range (operation and storage) :	-25 °C to +70 °C (25/070/21)

Typical electrical schematic



Features and benefits

- Converts the rectangular PWM output voltage of motor drives into a smooth sine wave with low residual ripple.
- Elimination of premature motor damage caused by high dv/dt, overvoltages, cable ringing, motor overheating, and eddy current losses.
- Improves bearing life time because of bearing currents caused by circulating currents
- Reduces electromagnetic emissions and acoustic noise levels.
- Eliminates pulse reflections in the motor cable.

Typical applications

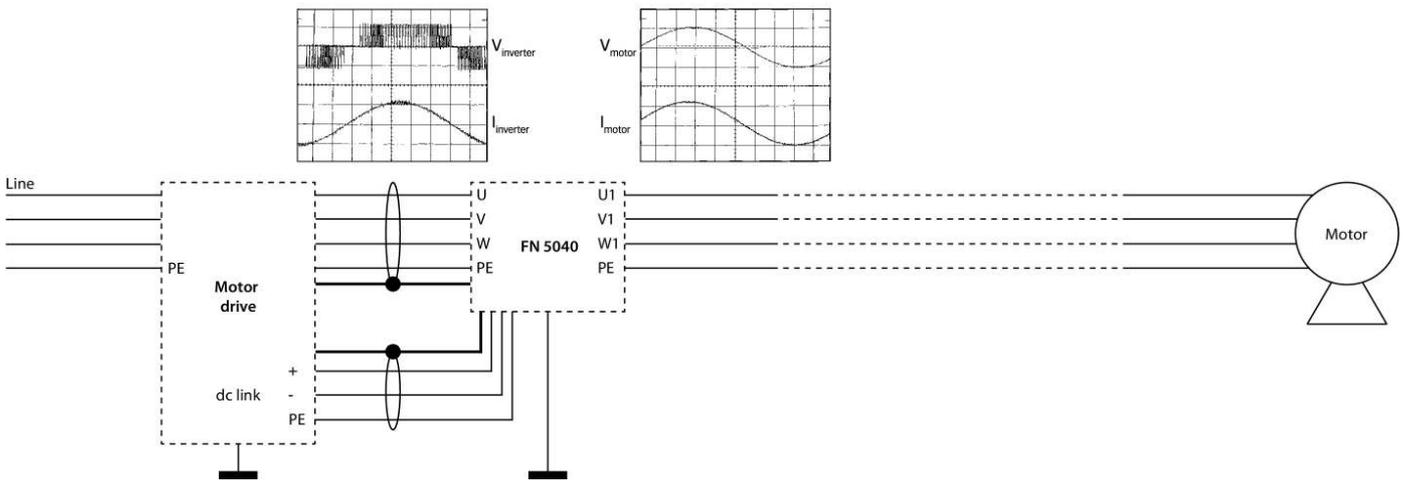
- HVAC applications
- Pumps
- Ventilators
- Conveyors
- Compressors
- Elevators
- Cranes
- Medium voltage applications, deployed in front of the step-up transformer
- Retrofit installations with motor drives
- Motor drive with long motor cable
- Motor drive with multiple motors in parallel

Filter selection table

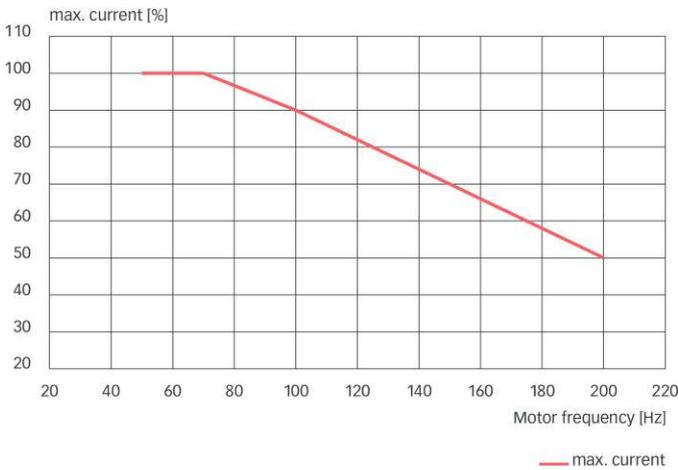
Filter	Rated current @ 40°C/50Hz	*Typical motor drive power 690V/50Hz	*Typical motor drive power 690V/60Hz	Nominal inductance	***Nominal capacitance	**Min. drives switching	Typical power loss	Input/Output connections	Weight
	[A]	[kW]	[HP]	[mH]	[μF]	[kHz]	[W]	 	[kg]
FN 5040HV-13-83	13	7.5	10	11.7	4.7	2	170	-83	14
FN 5040HV-28-84	28	22	25	5.5	10	2	280	-84	30
FN 5040HV-45-86	45	37	40	3.4	20	2	360	-86	38
FN 5040HV-75-99	75	55	60	2	33	2	500	-99	75
FN 5040HV-115-99	115	90	100	1.3	47	2	850	-99	106
FN 5040HV-165-99	165	132	150	0.9	66	2	1100	-99	145
FN 5040HV-260-99	260	200	250	0.6	94	2	1200	-99	220
FN 5040HV-300-99	300	250	300	0.5	136	2	1600	-99	240
FN 5040HV-430-99	430	355	400	0.35	272	1.5	2000	-99	311
FN 5040HV-530-99	530	450	500	0.28	340	1.5	2400	-99	410
FN 5040HV-660-99	660	630	650	0.23	408	1.5	2900	-99	505
FN 5040HV-765-99	765	710	750	0.2	476	1.5	3800	-99	536
FN 5040HV-940-99	940	900	1000	0.16	612	1.5	3400	-99	668
FN 5040HV-1320-99	1320	1200	1300	0.12	816	1.5	4700	-99	945

* At rated current, voltage and frequency. The proper power selection depends upon the drive specification, the motor and the application requirements.
 ** With reduced motor cable length, the max. switching frequency is 16 kHz.
 *** The capacitance connection is Y

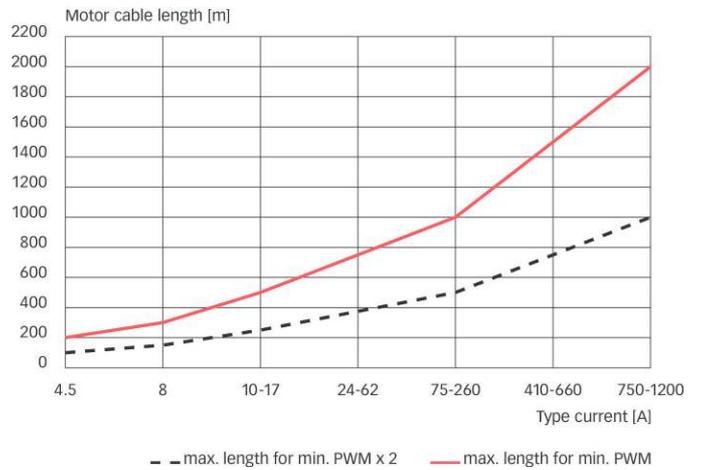
Typical block schematic



Motor frequency derating



Max. motor cable length*



*In case a step-up transformer is used, then the length is meant to be between the filter and transformer.

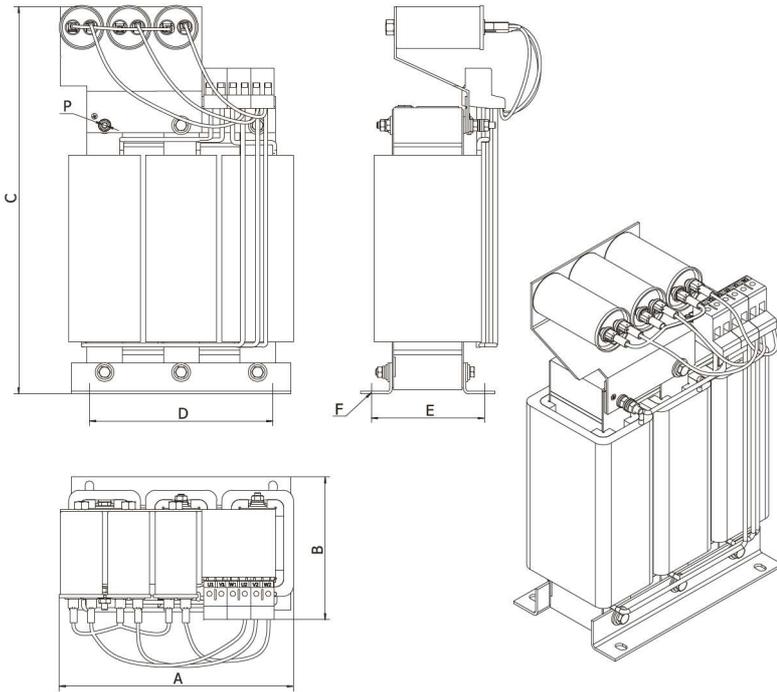
Required drives settings

Ensure the drive's switching frequency is set to the required minimum switching frequency (see filter selection table). The mode of operation must be "scalar" (V/Hz) with a fixed switching frequency. Check the drives manufacturer manual whether special settings are necessary. In any doubt contact the drives manufacturer.

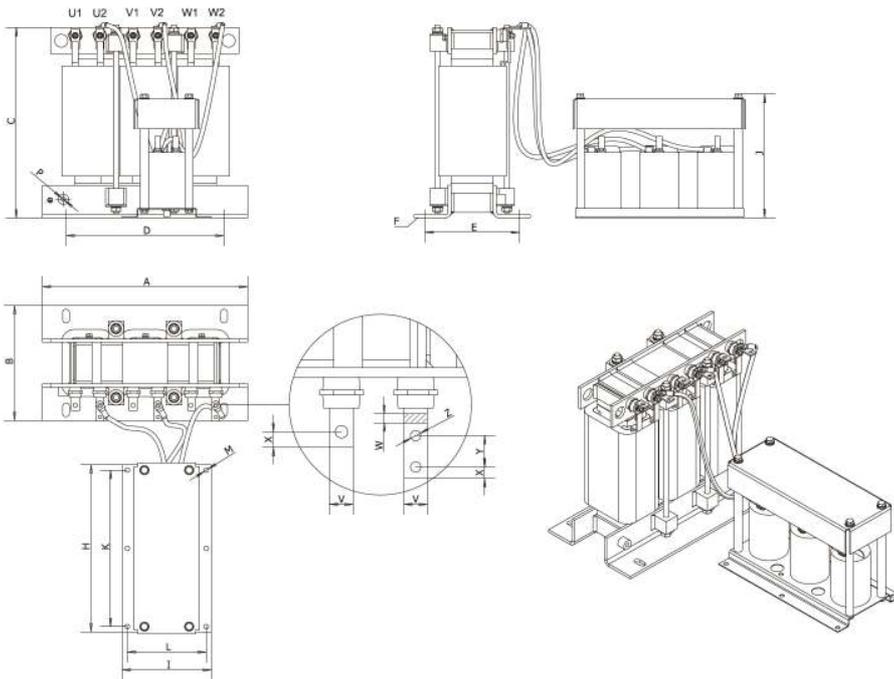
CAUTION: If the motor drives settings are not correct the filter may be damaged.

Mechanical data FN 5040 HV

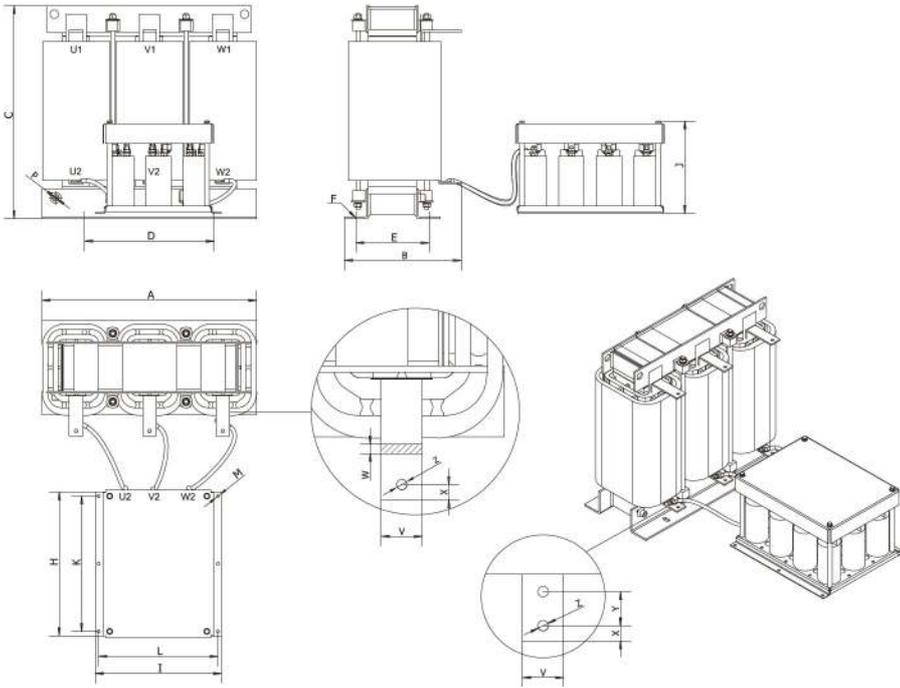
13 to 45A types



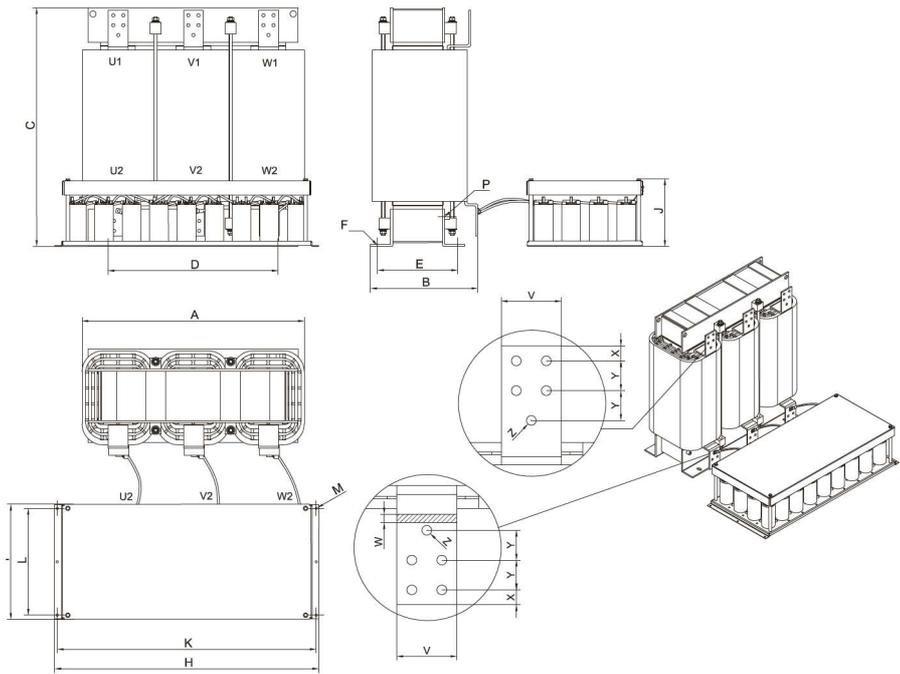
75 to 165A types



260 to 940A types



1320A type



Dimensions FN 5040 HV

	13A	28A	45A	75A	115A	165A	260A	300A	430A	530A	660A	765A	940A	1320A
A	235	225	267	392	465	512	583	540	645	680	740	725	765	895
B	160	165	190	235	275	275	318	315	347	348	430	402	435	445
C	290	375	425	375	425	482	484	625	633	761	775	875	925	965
D	180	175	215	300	300	300	300	300	380	380	560	560	580	680
E	101	108	127	180	180	180	180	20	215	215	245	245	245	320
F	8X12	8X12	11x15	13x27	13x27	13x27	13x27	13x27	13x27	13x27	13x28	13x28	17x30	17x30
H				330	330	330	330	330	425	705	705	760	1055	1055
I				170	170	270	270	270	370	328	328	463	463	463
J				240	240	240	240	275	275	275	275	275	275	275
K				300	300	300	300	300	400	685	685	740	1035	1035
L				150	150	250	250	250	350	300	300	430	430	430
M				∅9	∅9	∅9	∅9	∅9	∅9	∅9	∅9	∅9	∅9	∅9
P	M6	M6	M6	M6	M8	M10	M10	M10	M12	M12	M12	M12	M12	M12
V				15	20	25	30	30	40	40	60	60	80	80
W				3	3	4	5	5	5	6	6	8	8	8
X				7.5	10	12.5	15	15	20	20	20	20	20	20
Y				30	30	30	30	30	40	40	40	40	40	40
Z				6.6	9	11	11	11	13.5	13.5	13.5	13.5	13.5	13.5
Capacitor bank cable length [m]				1 m	1 m	1 m	1.5 m	1.5 m	1.5 m	1.5 m	2 m	2 m	2 m	2 m

Filter input/output connector cross sections

	-83	-84	-86
Solid wire	0.75 - 4 mm ²	2.5 - 10 mm ²	0.75 - 50 mm ²
Flex wire	1 - 4 mm ²	4 - 10 mm ²	0.75 - 35 mm ²
AWG type wire	AWG 18 - 10	AWG 18 - 6	AWG 18 - 0/1
Recommended torque	1.5 - 1.8 Nm	4 - 4.5 Nm	3.2 - 3.7 Nm

Please visit www.schaffner.com to find more details on filter connectors.

Note:

For additional information please consult the documents „Basis in EMC and Power Quality“ and the sine wave filter „Mounting and Installation Guidelines“, published in the download section „Installation Instructions“ of www.schaffner.com

**Headquarters, global innovation
and development center**

Schaffner Group

Nordstrasse 11
4542 Luterbach
Schweiz
T +41 32 681 66 26
F +41 32 681 66 30
[info\(at\)schaffner.com](mailto:info(at)schaffner.com)
www.schaffner.com

To find your local partner within
Schaffner's global network, please go
to www.schaffner.com

© 2012 Schaffner Group
Specifications are subject to change
within notice. The latest version of the
data sheets can be obtained from the
website. All trademarks recognized.

Schaffner is an ISO-registered
company.

Its products are designed and
manufactured under the strict quality
and environmental requirements of
the ISO 9001 and ISO 14001
standards.

This document has been carefully
checked. However, Schaffner does not
assume any liability for errors or
inaccuracies.

Sales and application centers

China

Schaffner EMC Ltd. Shanghai
T20-3, No 565 Chuangye Road
Pudong New Area
Shanghai 201201
T +86 21 3813 9500
F F +86 21 3813 9501 / 02
cschina@schaffner.com
<http://www.schaffner.com.cn/>

Finland

Schaffner Oy
Sauvonrinne 19 H
Lohja 08500
T +358 19 35 72 71
finlandsales@schaffner.com

France

Schaffner EMC S.A.S.
112, Quai de Bezons, Boîte postale 133
Argenteuil 95103
T +33 1 34 34 30 60
F +33 1 39 47 02 28
francesales@schaffner.com

Germany

Schaffner Deutschland GmbH
Westring 18
Büren 33142
T +49 2951 60 01 0
F +49 2951 60 01 23
buerensales@schaffner.com

Italy

Schaffner EMC S.r.l.
Via Galileo Galilei 47
Cinisello Balsamo (MI) 20092
T +39 02 66 04 30 45/47
F +39 02 61 23 943
italysales@schaffner.com

Japan

Schaffner EMC K.K.
1-32-12, Kamiyama, Setagaya-ku
Mitsui-Seimei Sangenjaya Bldg. 7F
Tokyo 154-0011
T +81 3 5712 3650
F +81 3 5712 3651
japansales@schaffner.com
<http://www.schaffner.jp>

Singapore

Schaffner EMC Pte Ltd.
Blk 3015A Ubi Road 1 05-09 Kampong Ubi
Industrial Estate
Singapore 408705
T +65 6377 3283
F +65 6377 3281
singaporesales@schaffner.com

Spain

Schaffner EMC España
Miniparc III, Edificio E
Madrid 28109
T +34 618 176 133
spainsales@schaffner.com

Sweden

Schaffner EMC AB
Turebergstorg 1, 6
Sollentuna 19147
T +46 8 5792 1121 / 22
F +46 8 92 96 90
swedensales@schaffner.com

Switzerland

Schaffner EMV AG
Nordstrasse 11
Luterbach 4542
T +41 32 6816 626
F +41 32 6816 641
sales@schaffner.ch

Taiwan R.O.C.

Schaffner EMV Ltd.
6F. No. 413 Rui Guang Road
Neihu District Taipei City 114
T +886 2 87525050
F +886 2 87518086
taiwansales@schaffner.com

Thailand

Schaffner EMC Co. Ltd.
Amphur Muang P.O. Box 14
Northern Region Industrial Estate 67 Moo 4
Tambon Ban Klang
Lamphun 51000
T +66 53 58 11 04
F +66 53 58 10 19
thailandsales@schaffner.com

UK

Schaffner Ltd.
Molly Millars Lane Wokingham
Berkshire RG41 2PL
T +44 118 9770070
F +44 118 9792969
uksales@schaffner.com
<http://www.schaffner.uk.com>

USA

Schaffner EMC Inc.
52 Mayfield Avenue
Edison 08837
T 1-800-367-5566
T 732-225-9533
F 732-225-4789
usasales@schaffner.com
<http://www.schaffner.com/us>