

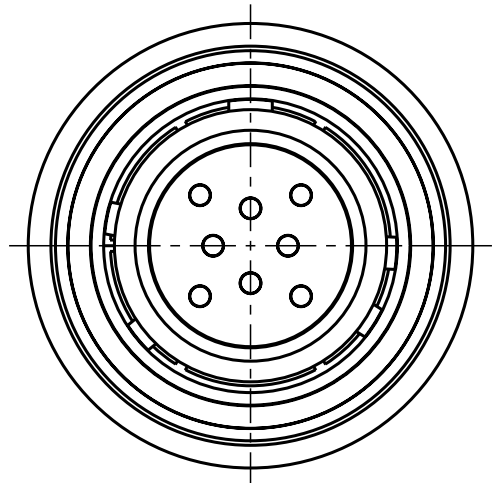
Für diese Unterlage behalten wir uns alle Rechte vor, auch für den Fall der Patentierung oder Gebrauchsmusteranmeldung. Sie darf ohne unsere vorherige schriftliche Zustimmung weder vervielfältigt noch sonstwie benutzt, noch Drucken zugänglich gemacht werden.

Nur rot gestempelte oder auf Laufr Karte gedruckte Dokumente unterliegen dem Änderungsdienst und sind zur Fertigung freigegeben. Only red stamped or on job card printed documents are managed. These documents are approved for production.

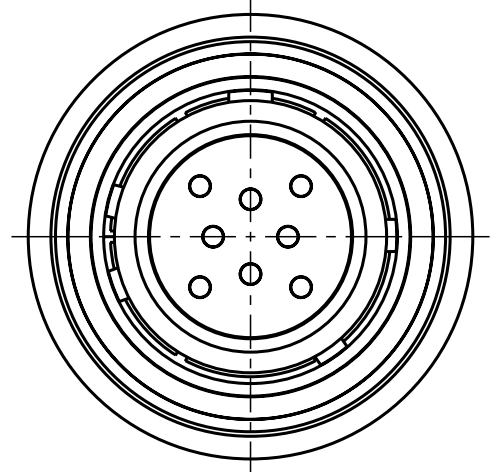
All Rights reserved, including possible patents or trademarks. Documents shall not be provided to a third party or duplicated in any form without prior written permission.

CAD: Pro/ENGINEER

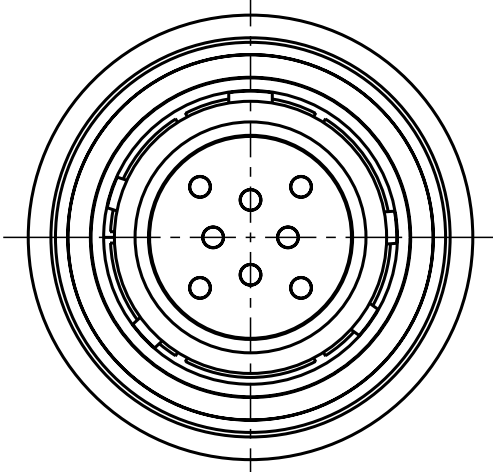
Additional coding  
View in direction B



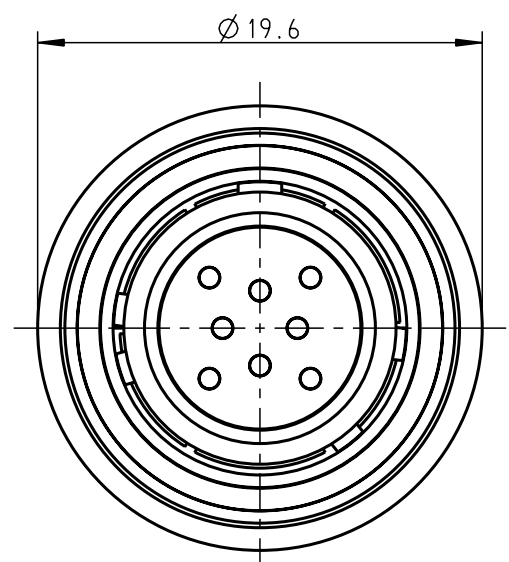
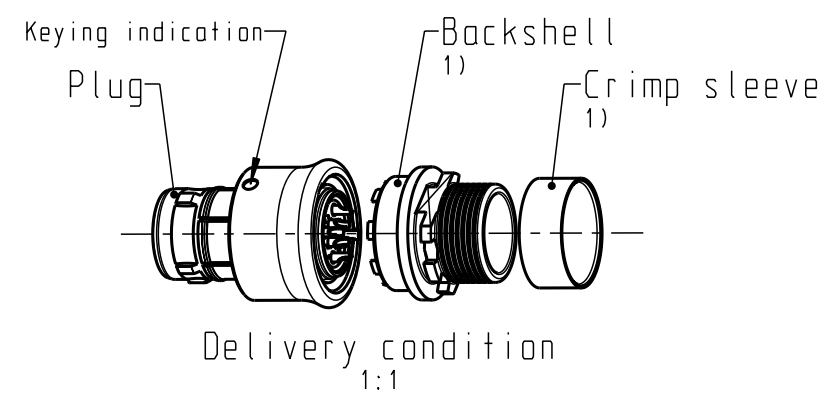
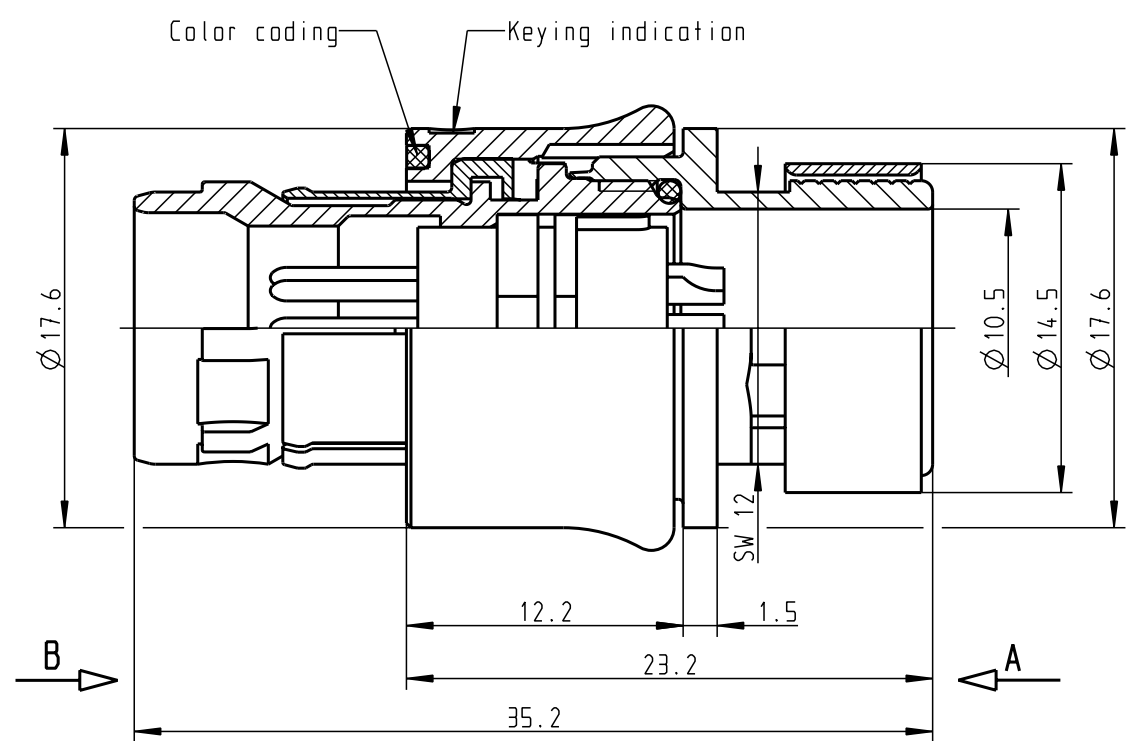
S12YBR-PD8XJG0-0000  
Mechanical coding: B  
Color coding: red



S12YCR-PD8XJG0-0000  
Mechanical coding: C  
Color coding: blue



S12YDR-PD8XJG0-0000  
Mechanical coding: D  
Color coding: green



S12YAR-PD8XJG0-0000  
Mechanical coding: A  
Color coding: light brown

Technical information

- Max. cable Ø8.0mm (Based on cable with one braided shield)
- Solder contacts: AWG22
- Current load: 10AD+40° (Single contact)  
6.5AD+40° (Insert)
- Test voltage: 1500V (acc. SAE AS 13441:1998, Contact to contact)
- Rated voltage: 500V (acc. SAE AS 13441:1998) 2)
- Information technology: CAT 6A (acc. IEC 11801)
  - \*usable for: - 10 Gigabit-Ethernet
  - Gigabit-Ethernet
  - Fast-Ethernet
  - and other equivalent protocols
- \*differential pairs: - Insertion loss better -0.37dB @500MHz  
- Return loss better -20dB @500MHz  
- NEXT better -40dB @500MHz  
(testreport on request)

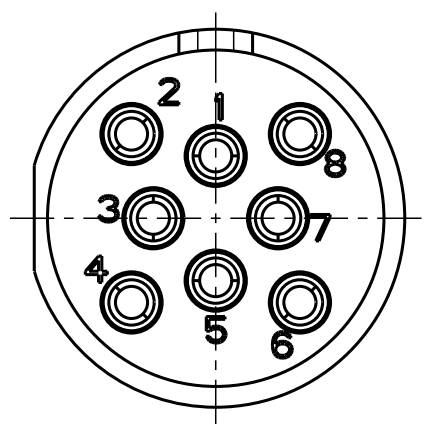
- For more technical information and accessories see catalogue (www.odu.de/amc)

1) For crimp information, torque, etc. see assembly instruction 010.645.001.000.002 (www.odu.de/amc/assembly)

2) Maximal operating voltage at sea level up to 2.000m. Rated voltage applies no other electrical safety standard. In case other standards rule a specific use of the connector, the application specific safety criteria shall be considered first. This must be evaluated in the frame of equipment engineering.

Connection diagram	
pos	color
1	white/green
2	green
3	white/brown
4	brown
5	white/blue
6	blue
7	white/red
8	red

Only insert  
View in direction A  
5:1



All shown connectors are according to DIN EN 61984:2009 connectors without breaking capacity (COC)!

				Dimensions without tolerances acc. to middle DIN ISO 2768		PE-modell-nr.:	
				2011 date name		CAD-nr.: 00051224 sheet.:	
				prep. 09.12. M. Meier		scale: 3:1	
				app.		drawing nr.: S12Y.R-PD8XJG0-0000 copy	
				norm.		replacement for: nr.	
index notice date name				<b>ODU</b> otto dunkel gmbh			