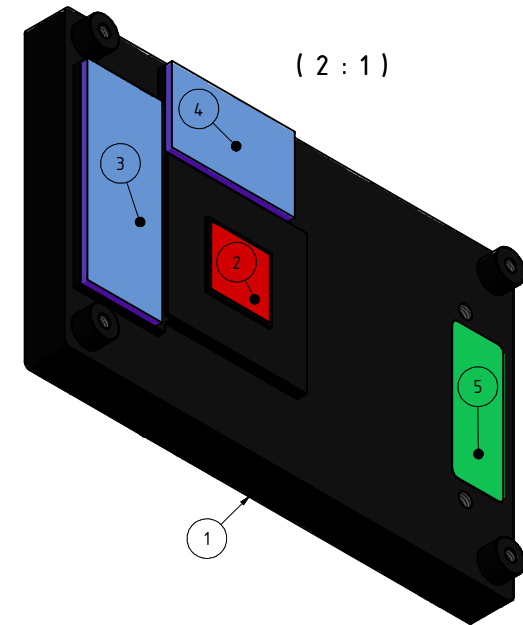
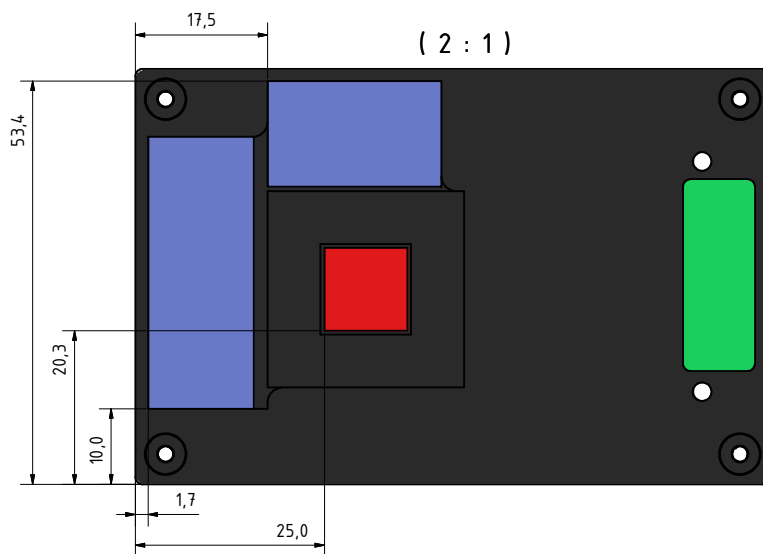
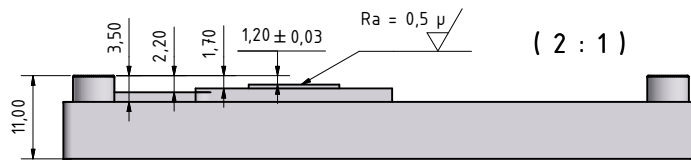
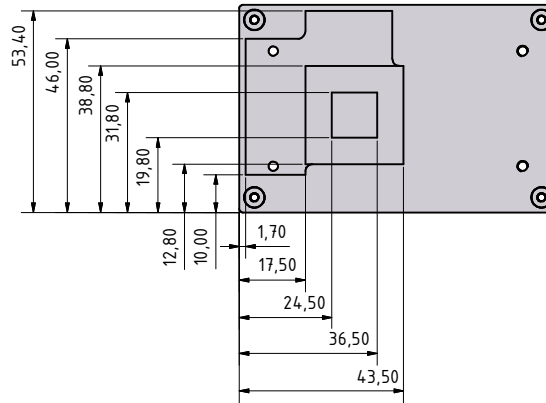
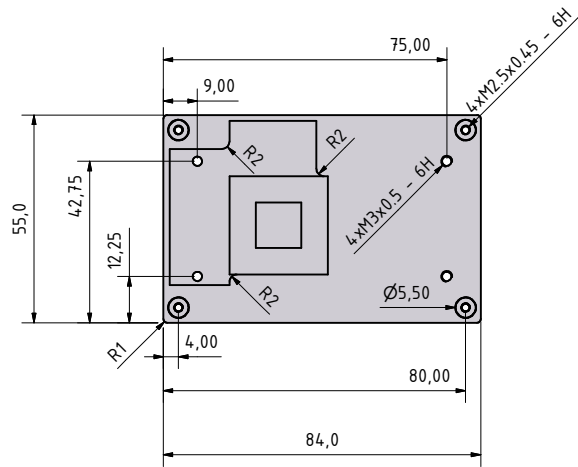


34006-0000-99-0

Rev. 1.0



Alle Angaben in mm (all dimensions in millimeters)

Toleranzen: x = ISO 2768-m / x,x +- 0,15 / x,xx +- 0,08

for packing instructions and detailed tolerance demand in particular areas please refer to packing and tolerance specifications:

PIQ 32444 (for heatspreader) or PIQ 32446 (for extruded heatsinks)

STÜCKLISTE (BOM = Bill of Material)				
Item	Q'ty	Part No.	Description	Spec.
1	1	MVV1 99-0 R10	34006 base, black anodized (DIN 17611 / E0 C35)	PIQ (this document)
2	1	HF225U_11x11	Bergquist HF225U (phase change material)	PIQ (this document)
3	1	T-flex650_36x14	Laird Technologies T-flex 600 series (thermal interface)	PIQ (this document)
4	1	T-flex650_23x14	Laird Technologies T-flex 600 series (thermal interface)	PIQ (this document)
5	1	HSP_LABEL_GREEN	Label, green, dimensions circa 25 x 10 mm Inscription: Kontron art.-no. / Rev / lot no. / production date	PIQ (this document)