

Tetra-Lateral PSD's

Position Sensing Detectors (PSD)

Tetra-lateral position sensing detectors are manufactured with one single resistive layer for both one and two dimensional measurements. They feature a common anode and two cathodes for one dimensional position sensing or four cathodes for two dimensional position sensing.

These detectors are best when used in applications that require measurement over a wide spacial range. They offer high response uniformity, low dark current, and good position linearity over 64% of the sensing area.

A reverse bias should be applied to these detectors to achieve optimum current linearity when large light signals are present. The circuit on the opposite page represents a typical circuit set up for two dimensional tetra-lateral PSDs.

For further details as well as the set up for one dimensional PSDs refer to the "Photodiode Characteristics" section of the catalog. Note that the maximum recommended incident power density is $10 \text{ mW} / \text{cm}^2$. Furthermore, typical uniformity of response for a $1 \text{ mm } \phi$ spot size is $\pm 5\%$ for SC-25D and SC-50D and $\pm 2\%$ for all other tetra-lateral devices.



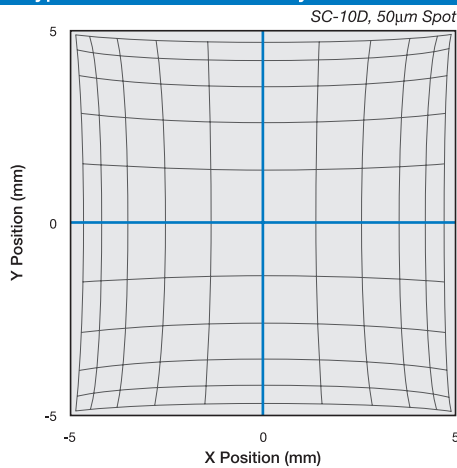
APPLICATIONS

- Tool Alignment and Control
- Leveling Measurements
- Angular Measurements
- 3 Dimensional Vision
- Position Measuring

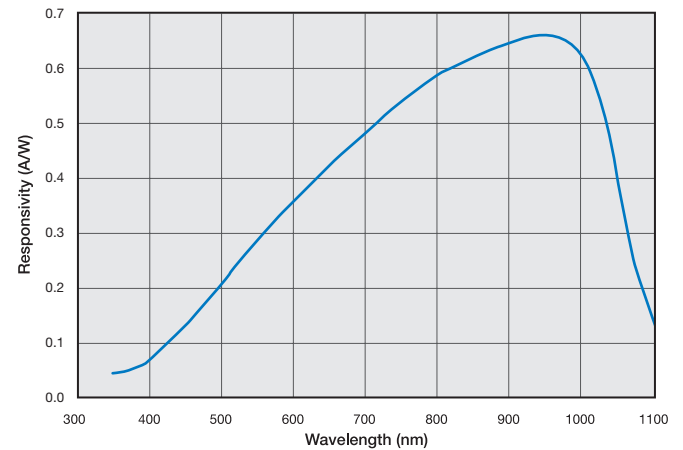
FEATURES

- Single Resistivity Layer
- High Speed Response
- High Dynamic Range
- Very High Resolution
- Spot Size & Shape Independence

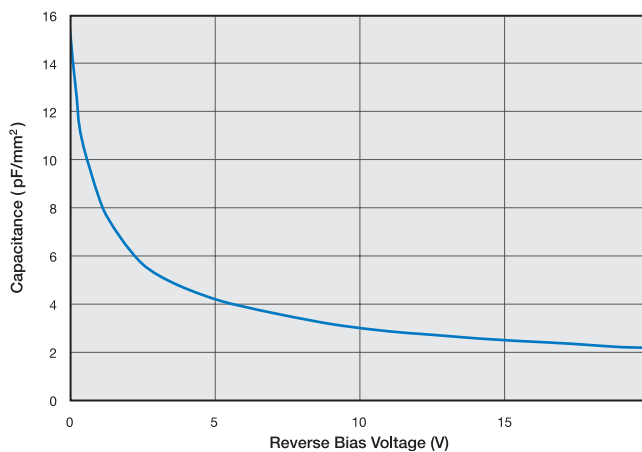
Typical Position Detectability



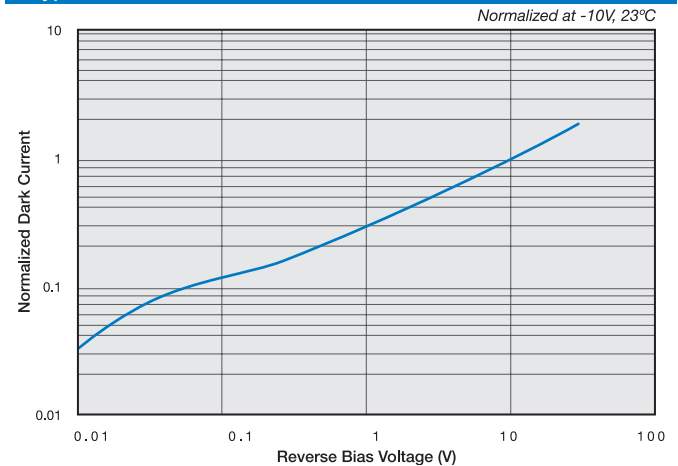
Typical Spectral Response



Typical Capacitance vs. Reverse Bias Voltage



Typical Dark Current vs. Reverse Bias



Tetra-Lateral Position Sensors

Typical Electro-Optical Specifications at $T_A=23^\circ\text{C}$

| Model Number | Position Sensing Area | | Responsivity (A/W) | | Absolute Position Detection Error (mm) | Dark Current (μA) | | Capacitance (pF) | Rise Time \dagger (μs) | Inter-electrode Resistance ($\text{k}\Omega$) | | Temp.* Range ($^\circ\text{C}$) | | Package Style \ddagger |
|--------------|------------------------|----------------|--------------------|------|--|--------------------------------|------|------------------|---------------------------------------|---|------|-----------------------------------|---------|--------------------------|
| | Area (mm^2) | Dimension (mm) | 670 nm | | Over 80% of Length 64% of Area | -15 V | | -15 V | -15 V 670 nm 50 Ω | min. | max. | Operating | Storage | |
| | | | min. | typ. | | typ. | typ. | | | | | | | |

One-Dimensional Series, Plastic Package

| Model | Area (mm^2) | Dimension (mm) | min. Responsivity | typ. Responsivity | Absolute Error (mm) | Dark Current (typ.) | Dark Current (max.) | Capacitance (pF) | Rise Time (μs) | Inter-electrode Resistance (min.) | Inter-electrode Resistance (max.) | Operating Temp. Range | Storage Temp. Range | Package Style |
|---------|------------------------|----------------|-------------------|-------------------|---------------------|---------------------|---------------------|------------------|-----------------------------|-----------------------------------|-----------------------------------|-----------------------|---------------------|---------------|
| LSC-5D | 11.5 | 5.3 x 2.2 | 0.35 | 0.42 | 0.040 | 0.01 | 0.10 | 50 | 0.25 | 2 | 50 | $-10 \sim +60$ | $-20 \sim +70$ | 47 / Plastic |
| LSC-30D | 122 | 30 x 4.1 | | | 0.240 | 0.025 | 0.250 | 300 | 3.00 | 4 | 100 | | | 46 / Plastic |

Two-Dimensional Series, Metal Package

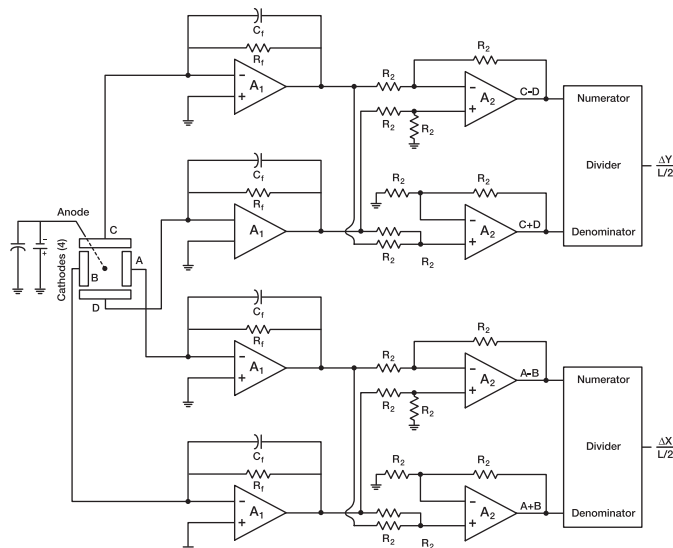
| Model | Area (mm^2) | Dimension (mm) | min. Responsivity | typ. Responsivity | Absolute Error (mm) | Dark Current (typ.) | Dark Current (max.) | Capacitance (pF) | Rise Time (μs) | Inter-electrode Resistance (min.) | Inter-electrode Resistance (max.) | Operating Temp. Range | Storage Temp. Range | Package Style |
|--------|------------------------|----------------|-------------------|-------------------|---------------------|---------------------|---------------------|------------------|-----------------------------|-----------------------------------|-----------------------------------|-----------------------|---------------------|---------------|
| SC-4D | 6.45 | 2.54 sq | 0.35 | 0.42 | 0.080 | 0.005 | 0.050 | 20 | 0.66 | 3 | 30 | $0 \sim +70$ | $-20 \sim +80$ | 41 / TO-5 |
| SC-10D | 103 | 10.16 sq | | | 1.30 | 0.025 | 0.250 | 300 | 1.00 | | | | | 44 / Special |
| SC-25D | 350 | 18.80 sq | | | 2.5 | 0.10 | 1.0 | 1625 | 5.00 | | | | | 45 / Special |
| SC-50D | 957 | 30.94 sq | | | 5.0 | 0.25 | 2.5 | 3900 | 13.00 | | | | | 21 / Special |

Two Dimensional Series, Plastic Package \S

| Model | Area (mm^2) | Dimension (mm) | min. Responsivity | typ. Responsivity | Absolute Error (mm) | Dark Current (typ.) | Dark Current (max.) | Capacitance (pF) | Rise Time (μs) | Inter-electrode Resistance (min.) | Inter-electrode Resistance (max.) | Operating Temp. Range | Storage Temp. Range | Package Style |
|-----------|------------------------|----------------|-------------------|-------------------|---------------------|---------------------|---------------------|------------------|-----------------------------|-----------------------------------|-----------------------------------|-----------------------|---------------------|---------------|
| FIL-C4DG | 6.45 | 2.54 sq | 0.35 | 0.42 | 0.080 | 0.005 | 0.050 | 20 | 0.66 | 3 | 30 | $-10 \sim +60$ | $-20 \sim +70$ | 14 / Plastic |
| FIL-C10DG | 103 | 10.16 sq | | | 1.30 | 0.025 | 0.250 | 300 | 1.00 | | | | | 15 / Plastic |

\dagger Rise time specifications are with a 1 mm spot size at the center of the device.
 \S The photodiode chips in "FIL" series are isolated in a low profile plastic package. They have a large field of view as well as "in line" pins.
 \ddagger For mechanical drawings please refer to pages 58 thru 69.
 * Non-Condensing temperature and Storage Range, Non-Condensing Environment.

Chip centering within $\pm 0.010"$.



For further details, refer to the "Photodiode Characteristics" section of the catalog.

1. Parameter Definitions:

A = Distance from top of chip to top of glass.

a = Photodiode Anode.

B = Distance from top of glass to bottom of case.

c = Photodiode Cathode

(Note: cathode is common to case in metal package products unless otherwise noted).

W = Window Diameter.

F.O.V. = Field of View (see definition below).

2. Dimensions are in inches (1 inch = 25.4 mm).

3. Pin diameters are 0.018 ± 0.002" unless otherwise specified.

4. Tolerances (unless otherwise noted)

General: 0.XX ±0.01"

0.XXX ±0.005"

Chip Centering: ±0.010"

Dimension 'A': ±0.015"

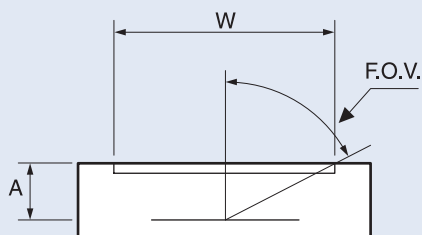
5. Windows

All '**UV**' Enhanced products are provided with QUARTZ glass windows, 0.027 ± 0.002" thick.

All '**XUV**' products are provided with removable windows.

All '**DLS**' PSD products are provided with A/R coated glass windows.

All '**FIL**' photoconductive and photovoltaic products are epoxy filled instead of glass windows.



$$F.O.V. = \tan^{-1} \left(\frac{W}{2A} \right)$$



For Further Assistance
Please Call One of Our Experienced
Sales and Applications Engineers

310-978-0516



- Or -
On the Internet at

www.osioptoelectronics.com

All units in inches. Pinouts are bottom view.

Low Profile

Products:
 PIN-10DI
 PIN-10DPI
 PIN-10DPI/SB
 UV-50L
 UV-100L

Pin Circle Dia.=0.73

BNC

Products:
 PIN-10D
 PIN-10DP
 PIN-10DP/SB
 UV-50
 UV-100

| | |
|-------------------------|--------------------------------|
| Outer Contact — Anode | PIN-10D, PIN-10DP, PIN-10DP/SB |
| Outer Contact — Cathode | UV-50, UV-100 |

BNC

Products:
 PIN-25D
 PIN-25DP

Outer Contact — Anode

Special BNC

Products:
 PIN-10AP
 PIN-10DF

| P/N | A | B | C |
|----------|-------|-------|-------|
| PIN-10DF | 0.217 | 0.330 | 1.020 |
| PIN-10AP | 0.386 | 0.550 | 1.415 |

Special Plastic

Products:
 FIL-5C
 FIL-20C
 FIL-UV20
 FIL-C4DG

| P/N | A | B |
|-----------------------------------|-------|-------|
| FIL-5C FIL-20C | 0.060 | 0.130 |
| FIL-UV005 FIL-UV20 FIL-C4DG | 0.087 | 0.152 |

| P/N | 1 | 2 | 3 | 4 | 5 | 6 |
|--------------------------------|---|---|---|---|---|---|
| FIL-5C FIL-20C FIL-UV005 | a | - | c | a | - | c |
| FIL-UV20 | c | - | a | c | - | a |
| FIL-C4DG | c | a | c | c | a | c |

Special Plastic

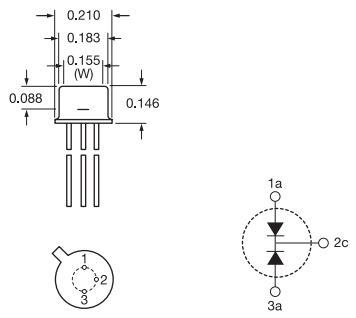
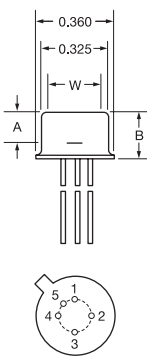
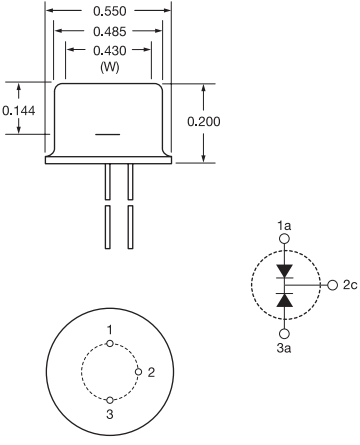
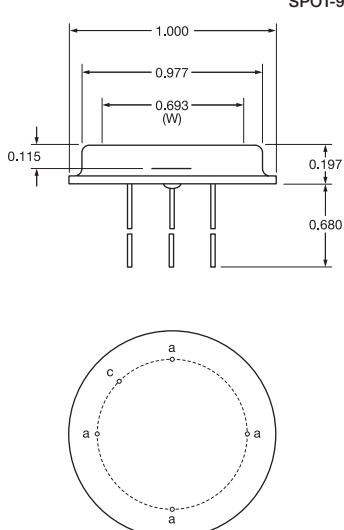
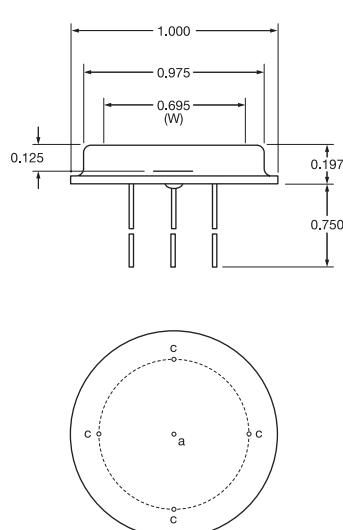
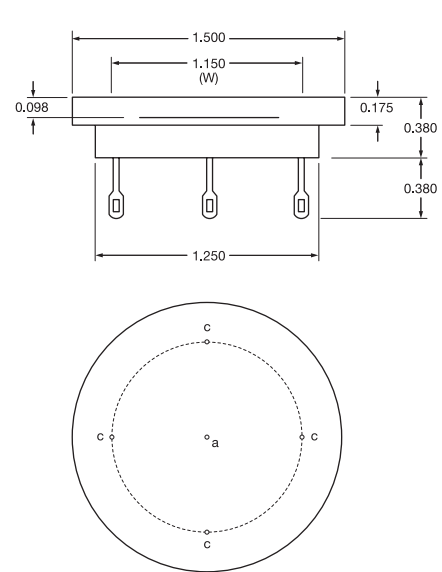
Products:
 FIL-44C
 FIL-100C
 FIL-UV50
 FIL-UV100
 FIL-C10DG

| P/N | A | B |
|------------------------------------|-------|-------|
| FIL-44C FIL-100C | 0.052 | 0.130 |
| FIL-UV50 FIL-UV100 FIL-C10DG | 0.090 | 0.155 |

| P/N | 1 | 2 | 3 | 4 | 5 | 6 | 7 | 8 |
|-----------------------|---|---|---|---|---|---|---|---|
| FIL-44C FIL-100C | a | - | - | c | a | - | - | c |
| FIL-UV50 FIL-UV100 | c | - | - | a | c | - | - | a |
| FIL-C10DG | c | a | a | c | c | a | a | c |

Mechanical Specifications

All units in inches. Pinouts are bottom view.

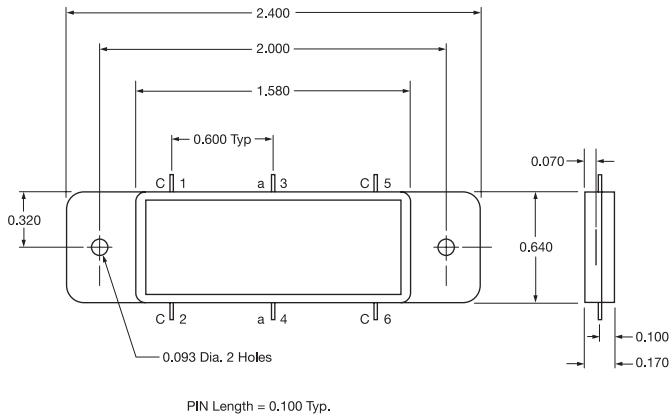
| 40 TO-18 | 41 TO-5 | 42 TO-8 | | | | | | | | | | | | | | | | | | | | | | | | | | | | | | | | | | | | | | | | | | | | | | | | | | | | | | | | | | | | | | | | | | | | | | | | | | | | | | | | | | | | | | | | | | |
|---|---|--|-------|----|----|-------|-------|-------|-------|-------|-------|-------|-------|---------|-------|-------|-------|---------|-------|-------|-------|---------|-------|-------|-------|-----------|-------|-------|-------|-----------|-------|-------|-------|-------|-------|-------|-------|-----|---|---|---|---|---|-------|---|---|---|---|---|-------|---|---|---|----|----|---------|---|---|---|----|----|---------|---|---|---|----|----|---------|---|---|---|---|---|-----------|---|---|---|---|---|-----------|---|---|---|---|---|-------|---|---|---|---|---|--|
| <p>Products: SPOT-2DMI</p>  <p>Pin Circle Dia.=0.100</p> | <p>Products: SC-4D SL3-1 SPOT-2D SPOT-3D SPOT-4D SPOT-4DMI SPOT-4DUV QD7-0</p>  <p>Pin Circle Dia.=0.200</p> <p>Dimensions</p> <table border="1"> <thead> <tr> <th>P/N</th> <th>A</th> <th>B</th> <th>W</th> </tr> </thead> <tbody> <tr> <td>SC-4D</td> <td>0.071</td> <td>0.142</td> <td>0.240</td> </tr> <tr> <td>SL3-1</td> <td>0.106</td> <td>0.195</td> <td>0.217</td> </tr> <tr> <td>SPOT-2D</td> <td>0.063</td> <td>0.114</td> <td>0.240</td> </tr> <tr> <td>SPOT-3D</td> <td>0.104</td> <td>0.138</td> <td>0.240</td> </tr> <tr> <td>SPOT-4D</td> <td>0.063</td> <td>0.142</td> <td>0.240</td> </tr> <tr> <td>SPOT-4DMI</td> <td>0.063</td> <td>0.142</td> <td>0.240</td> </tr> <tr> <td>SPOT-4DUV</td> <td>0.063</td> <td>0.142</td> <td>0.240</td> </tr> <tr> <td>QD7-0</td> <td>0.050</td> <td>0.130</td> <td>0.230</td> </tr> </tbody> </table> <p>Pinouts</p> <table border="1"> <thead> <tr> <th>P/N</th> <th>1</th> <th>2</th> <th>3</th> <th>4</th> <th>5</th> </tr> </thead> <tbody> <tr> <td>SC-4D</td> <td>c</td> <td>c</td> <td>c</td> <td>c</td> <td>a</td> </tr> <tr> <td>SL3-1</td> <td>a</td> <td>c</td> <td>a</td> <td>--</td> <td>--</td> </tr> <tr> <td>SPOT-2D</td> <td>a</td> <td>c</td> <td>a</td> <td>--</td> <td>--</td> </tr> <tr> <td>SPOT-3D</td> <td>a</td> <td>c</td> <td>a</td> <td>--</td> <td>--</td> </tr> <tr> <td>SPOT-4D</td> <td>a</td> <td>a</td> <td>a</td> <td>a</td> <td>c</td> </tr> <tr> <td>SPOT-4DMI</td> <td>a</td> <td>a</td> <td>a</td> <td>a</td> <td>c</td> </tr> <tr> <td>SPOT-4DUV</td> <td>a</td> <td>a</td> <td>a</td> <td>a</td> <td>c</td> </tr> <tr> <td>QD7-0</td> <td>a</td> <td>a</td> <td>a</td> <td>a</td> <td>c</td> </tr> </tbody> </table> | P/N | A | B | W | SC-4D | 0.071 | 0.142 | 0.240 | SL3-1 | 0.106 | 0.195 | 0.217 | SPOT-2D | 0.063 | 0.114 | 0.240 | SPOT-3D | 0.104 | 0.138 | 0.240 | SPOT-4D | 0.063 | 0.142 | 0.240 | SPOT-4DMI | 0.063 | 0.142 | 0.240 | SPOT-4DUV | 0.063 | 0.142 | 0.240 | QD7-0 | 0.050 | 0.130 | 0.230 | P/N | 1 | 2 | 3 | 4 | 5 | SC-4D | c | c | c | c | a | SL3-1 | a | c | a | -- | -- | SPOT-2D | a | c | a | -- | -- | SPOT-3D | a | c | a | -- | -- | SPOT-4D | a | a | a | a | c | SPOT-4DMI | a | a | a | a | c | SPOT-4DUV | a | a | a | a | c | QD7-0 | a | a | a | a | c | <p>Products: SL5-1</p>  <p>Pin Circle Dia.=0.300</p> |
| P/N | A | B | W | | | | | | | | | | | | | | | | | | | | | | | | | | | | | | | | | | | | | | | | | | | | | | | | | | | | | | | | | | | | | | | | | | | | | | | | | | | | | | | | | | | | | | | | | |
| SC-4D | 0.071 | 0.142 | 0.240 | | | | | | | | | | | | | | | | | | | | | | | | | | | | | | | | | | | | | | | | | | | | | | | | | | | | | | | | | | | | | | | | | | | | | | | | | | | | | | | | | | | | | | | | | |
| SL3-1 | 0.106 | 0.195 | 0.217 | | | | | | | | | | | | | | | | | | | | | | | | | | | | | | | | | | | | | | | | | | | | | | | | | | | | | | | | | | | | | | | | | | | | | | | | | | | | | | | | | | | | | | | | | |
| SPOT-2D | 0.063 | 0.114 | 0.240 | | | | | | | | | | | | | | | | | | | | | | | | | | | | | | | | | | | | | | | | | | | | | | | | | | | | | | | | | | | | | | | | | | | | | | | | | | | | | | | | | | | | | | | | | |
| SPOT-3D | 0.104 | 0.138 | 0.240 | | | | | | | | | | | | | | | | | | | | | | | | | | | | | | | | | | | | | | | | | | | | | | | | | | | | | | | | | | | | | | | | | | | | | | | | | | | | | | | | | | | | | | | | | |
| SPOT-4D | 0.063 | 0.142 | 0.240 | | | | | | | | | | | | | | | | | | | | | | | | | | | | | | | | | | | | | | | | | | | | | | | | | | | | | | | | | | | | | | | | | | | | | | | | | | | | | | | | | | | | | | | | | |
| SPOT-4DMI | 0.063 | 0.142 | 0.240 | | | | | | | | | | | | | | | | | | | | | | | | | | | | | | | | | | | | | | | | | | | | | | | | | | | | | | | | | | | | | | | | | | | | | | | | | | | | | | | | | | | | | | | | | |
| SPOT-4DUV | 0.063 | 0.142 | 0.240 | | | | | | | | | | | | | | | | | | | | | | | | | | | | | | | | | | | | | | | | | | | | | | | | | | | | | | | | | | | | | | | | | | | | | | | | | | | | | | | | | | | | | | | | | |
| QD7-0 | 0.050 | 0.130 | 0.230 | | | | | | | | | | | | | | | | | | | | | | | | | | | | | | | | | | | | | | | | | | | | | | | | | | | | | | | | | | | | | | | | | | | | | | | | | | | | | | | | | | | | | | | | | |
| P/N | 1 | 2 | 3 | 4 | 5 | | | | | | | | | | | | | | | | | | | | | | | | | | | | | | | | | | | | | | | | | | | | | | | | | | | | | | | | | | | | | | | | | | | | | | | | | | | | | | | | | | | | | | | |
| SC-4D | c | c | c | c | a | | | | | | | | | | | | | | | | | | | | | | | | | | | | | | | | | | | | | | | | | | | | | | | | | | | | | | | | | | | | | | | | | | | | | | | | | | | | | | | | | | | | | | | |
| SL3-1 | a | c | a | -- | -- | | | | | | | | | | | | | | | | | | | | | | | | | | | | | | | | | | | | | | | | | | | | | | | | | | | | | | | | | | | | | | | | | | | | | | | | | | | | | | | | | | | | | | | |
| SPOT-2D | a | c | a | -- | -- | | | | | | | | | | | | | | | | | | | | | | | | | | | | | | | | | | | | | | | | | | | | | | | | | | | | | | | | | | | | | | | | | | | | | | | | | | | | | | | | | | | | | | | |
| SPOT-3D | a | c | a | -- | -- | | | | | | | | | | | | | | | | | | | | | | | | | | | | | | | | | | | | | | | | | | | | | | | | | | | | | | | | | | | | | | | | | | | | | | | | | | | | | | | | | | | | | | | |
| SPOT-4D | a | a | a | a | c | | | | | | | | | | | | | | | | | | | | | | | | | | | | | | | | | | | | | | | | | | | | | | | | | | | | | | | | | | | | | | | | | | | | | | | | | | | | | | | | | | | | | | | |
| SPOT-4DMI | a | a | a | a | c | | | | | | | | | | | | | | | | | | | | | | | | | | | | | | | | | | | | | | | | | | | | | | | | | | | | | | | | | | | | | | | | | | | | | | | | | | | | | | | | | | | | | | | |
| SPOT-4DUV | a | a | a | a | c | | | | | | | | | | | | | | | | | | | | | | | | | | | | | | | | | | | | | | | | | | | | | | | | | | | | | | | | | | | | | | | | | | | | | | | | | | | | | | | | | | | | | | | |
| QD7-0 | a | a | a | a | c | | | | | | | | | | | | | | | | | | | | | | | | | | | | | | | | | | | | | | | | | | | | | | | | | | | | | | | | | | | | | | | | | | | | | | | | | | | | | | | | | | | | | | | |
| <p>43 Low Profile</p> <p>Products: SPOT-9D SPOT-9DMI</p>  <p>Pin Circle Dia.=0.730</p> | <p>44 Special</p> <p>Products: SC-10D</p>  <p>Pin Circle Dia.=0.730</p> | <p>45 Special</p> <p>Products: SC-25D</p>  <p>Pin Circle Dia.=0.950</p> | | | | | | | | | | | | | | | | | | | | | | | | | | | | | | | | | | | | | | | | | | | | | | | | | | | | | | | | | | | | | | | | | | | | | | | | | | | | | | | | | | | | | | | | | | |

All units in inches.

46 Plastic

Products:

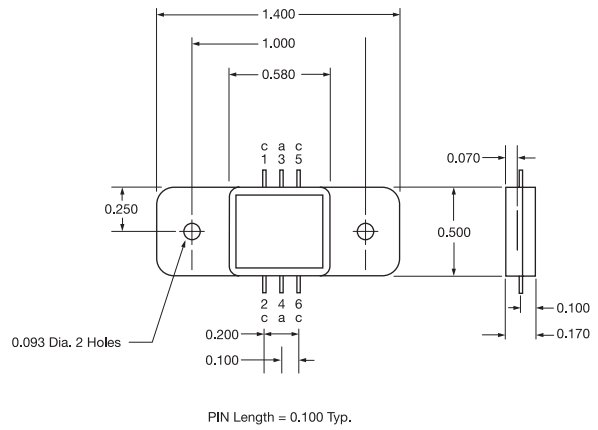
LSC-30D



47 Plastic

Products:

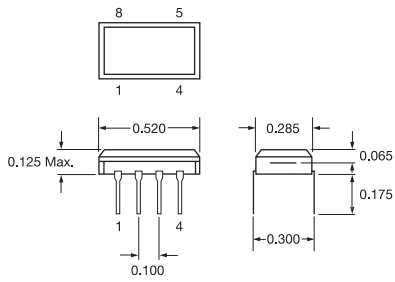
LSC-5D



48 8-PIN DIP

Products:

SL3-2
SL5-2



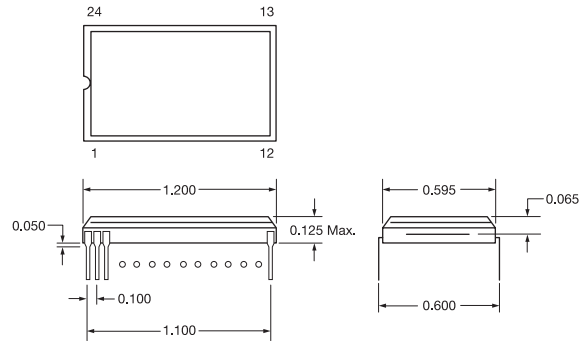
Pinouts

| | |
|------------|----------------|
| 2, 7 | Anode 1 |
| 1, 4, 5, 8 | Common Cathode |
| 3, 6 | Anode 2 |

49 24-PIN DIP

Products:

SL-15



Pinouts

| | |
|------------------------------|----------------|
| 11 | Anode 1 |
| 12, 24 | Common Cathode |
| 23 | Anode 2 |
| All Other Pins NOT CONNECTED | |

50 Special

Products:

SL76-1

