

# USB SERIES

## CHOGORI

### USB Series Specifications

#### USB Series, Male Connector

##### Description

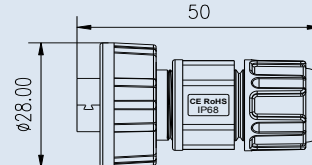
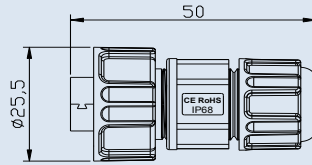
Field Installable, 180°  
Screw Type, Solder

Field Installable, 180°  
Lock Bayonet Type, Solder

##### Figure



##### Drawing



##### Part Number

| Contacts | Cable Range(mm) | Part Number | Contacts | Cable Range(mm) | Part Number |
|----------|-----------------|-------------|----------|-----------------|-------------|
| 4        | 3.5 - 6.8       | 34000000-01 | 4        | 3.5 - 6.8       | 34000000-02 |

##### Specifications

|                          |                              |      |
|--------------------------|------------------------------|------|
| Number of Contacts       | 4                            |      |
| Wire Gauge               | 0.204mm <sup>2</sup> (24AWG) |      |
| Cable Range              | 3.5mm - 6.8mm                |      |
| Environmental Protection | IP68                         | IP67 |
| Mechanical Life          | 1500 mating cycles           |      |
| Operating Temperature    | - 45°C - +85°C               |      |
| Breakdown Voltage        | ≥ AC 500V / 1Minute          |      |
| Speed                    | 480 Mbps                     |      |
| Contact Resistance       | ≤ 30mΩ Max                   |      |
| Insulation Resistance    | ≥ 1000MΩ Min                 |      |
| Rated Current (40°C)     | 1.5 A                        |      |

# USB SERIES

## CHOGORI

### USB Series Specifications

#### USB Series, Panel Mount

Description

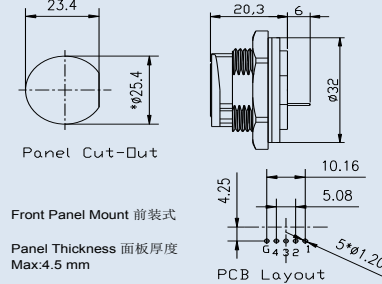
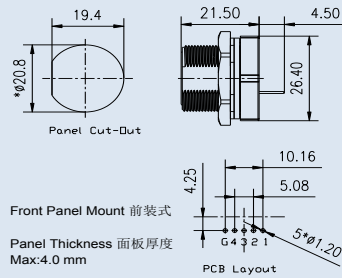
Panel Front Mount,  
Screw Type, PCB

Panel Front Mount,  
Lock Bayonet Type, PCB

Figure



Drawing



Part Number

| Contacts | Part Number | Contacts | Part Number |
|----------|-------------|----------|-------------|
| 4        | 34000000-03 | 4        | 34000000-04 |

Specifications

|                          |                     |      |
|--------------------------|---------------------|------|
| Number of Contacts       | 4                   |      |
| Environmental Protection | IP68                | IP67 |
| Mechanical Life          | 1500 mating cycles  |      |
| Operating Temperature    | - 45°C - 85°C       |      |
| Breakdown Voltage        | ≥ AC 500V / 1Minute |      |
| Speed                    | 480 Mbps            |      |
| Contact Resistance       | ≤ 30mΩ Max          |      |
| Insulation Resistance    | ≥ 1000MΩ Min        |      |
| Rated Current (40°C)     | 1.5 A               |      |

# USB SERIES

## CHOGORI

### USB Series Specifications

#### USB Series, Panel Mount

Description

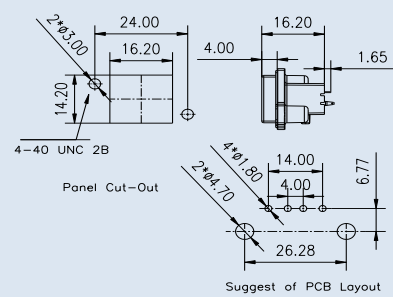
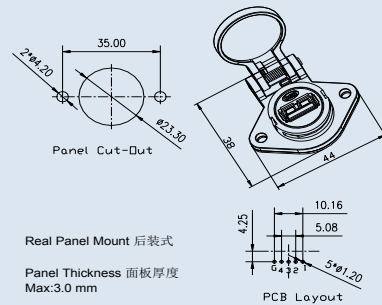
Panel Mount,  
Lock Type, PCB

Panel Mount,  
kirsite, PCB

Figure



Drawing



Part Number

Contacts

Part Number

Contacts

Part Number

4

34000000-05

4

34000000-06

#### Specifications

|                          |                     |      |
|--------------------------|---------------------|------|
| Number of Contacts       | 4                   |      |
| Environmental Protection | IP67                | IP67 |
| Mechanical Life          | 1500 mating cycles  |      |
| Operating Temperature    | - 45°C - 85°C       |      |
| Breakdown Voltage        | ≥ AC 500V / 1Minute |      |
| Speed                    | 480 Mbps            |      |
| Contact Resistance       | ≤ 30mΩ Max          |      |
| Insulation Resistance    | ≥ 1000MΩ Min        |      |
| Rated Current (40°C)     | 1.5 A               |      |