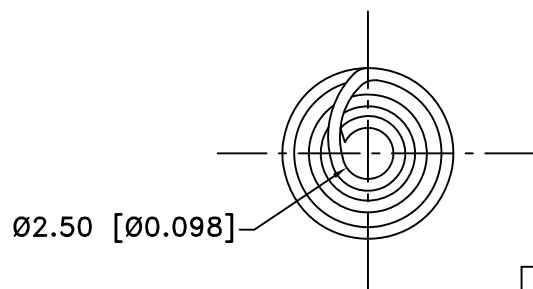
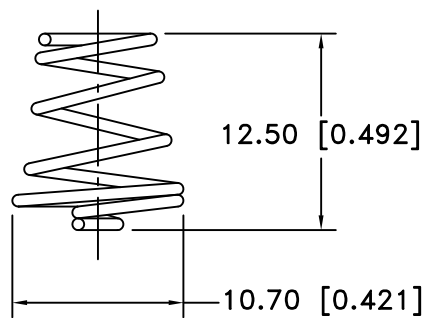
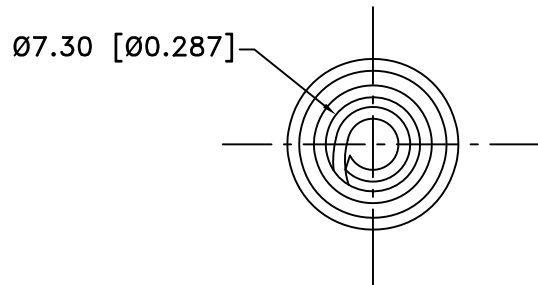



Date	SYM	REVISION RECORD	AUTH	DR.	CK.
1/21/06	A	ADDED "ROHS COMPLIANT"	T.B.	B.S.	
9/20/13	B	UPDATED TO ROHS 2 COMPLIANT DIM. 10.7 WAS 11.05 DIM. 12.50 WAS 12.70 DIM. 7.30 WAS 6.10 DIM. 2.50 WAS 3.30	T.B.	B.S.	



NOTES:  
MATERIAL: SPRING STEEL WIRE, NICKLE PLTD  
ROHS 2 COMPLIANT

Tolerance (Except as noted)	 <b>Memory Protection Devices, Inc</b> 200 Broad Hollow Road, Farmingdale, New York 11735		
decimal ±.5 (.020)		Scale	Drawn By B.S.
Fractional ± .8 (.030)	Title AA BATTERY SPRING CONTACT		
Angular ± 3°	Date 9/20/13	Drawing Number BC-AA	