

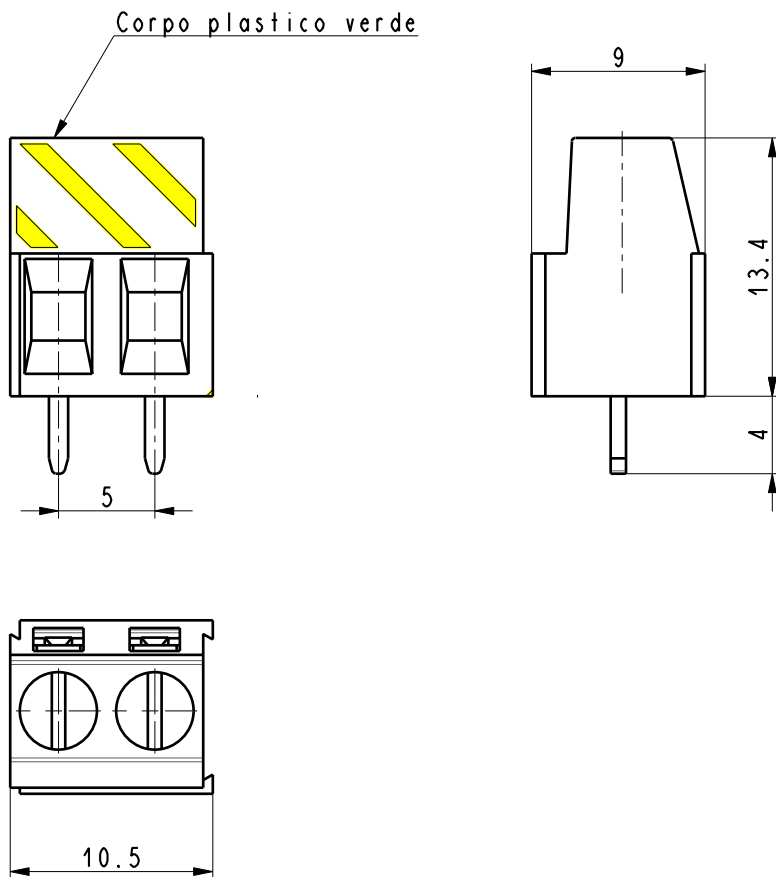
Rev.	Descrizione/Description	Data/Date	Firma/Sign.
1	Mod. stampigliatura (era C1992)	07/04/09	Biasio

USARE/USE CLICHE' N°:

C2149

COLORE STAMPIGLIATURA/INK COLOR:

GIALLO/YELLOW



NOTE:

- CORPO PLASTICA VERDE (SIMILE A RAL 6032)
- GREEN PLASTIC HOUSING (SIMILAR TO RAL 6032)
- MORSETTIERA CORTOCIRCUITATA
- SHORT CIRCUITED TERMINAL BLOCK

CODICE
PN

MSG02B01 - A00C

-	KIT:	-	PASSO/PITCH:	5
FOGLIO/SHEET:	DIS. N°/DRAW. N°:	1/1	FIRMA/SIGNATURE:	Marcon
		MSG02B01 - A00C	DATA/DATE:	14/10/08

