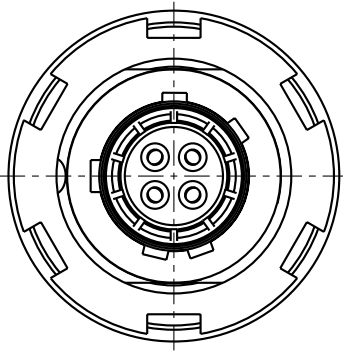
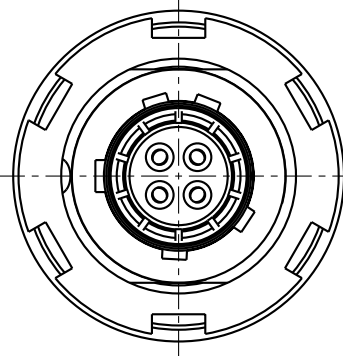


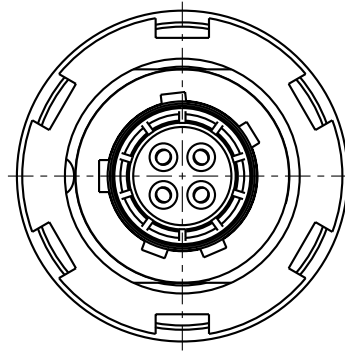
Additional coding  
View in direction B



**G80YBR-P04WFG0-000L**  
Mechanical coding: B  
Color Coding: red

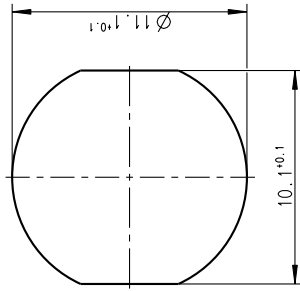


**G80YCR-P04WFG0-000L**  
Mechanical coding: C  
Color Coding: blue

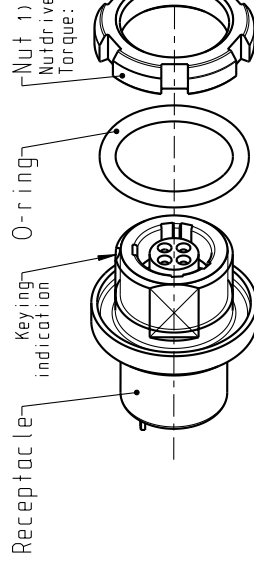


**G80YDR-P04WFG0-000L**  
Mechanical coding: D  
Color Coding: green

Panel cut-out



**G80YAR-P04WFG0-000L**  
Mechanical coding: A  
Color Coding: light brown



Delivery condition  
2:1

Technical information

- Solder contacts: AMG22
- Current load: 7A@Δ140° (Single contact)  
7A@Δ140° (Insert)
- Test voltage: 900V (acc. SAE AS 13441:1998; Contact to contact)
- Rated voltage: 300V (acc. SAE AS 13441:1998; 2)
- For more technical information and accessories see catalogue ([www.odu.de/adc](http://www.odu.de/adc))

- 1) ODU recommend an additional locking of the nut with adhesive (e.g. Loctite 2701) to the screw thread.
- 2) Maximal operating voltage at sea level up to 2.000m. Rated voltage applies to other electrical safety standards. In case other standards rule a specific use of the connector, the application specific safety criteria shall be considered first. This must be evaluated in the frame of equipment engineering.

All shown connectors are according to DIN EN 61984:2009 connectors without breaking capacity (COC)!

Dimensions without tolerances acc. to middle		DIN ISO 2168	
2011	date		
prep. 20.12.	M. Meier		
app.			
norm.			

index	notice	date	name



otto dunkel gmbh

PE-modell-nr.:  
CAD-nr.: 00051328  
sheet:..

designation:  
**Receptacle style 8**  
AMC Standard Version

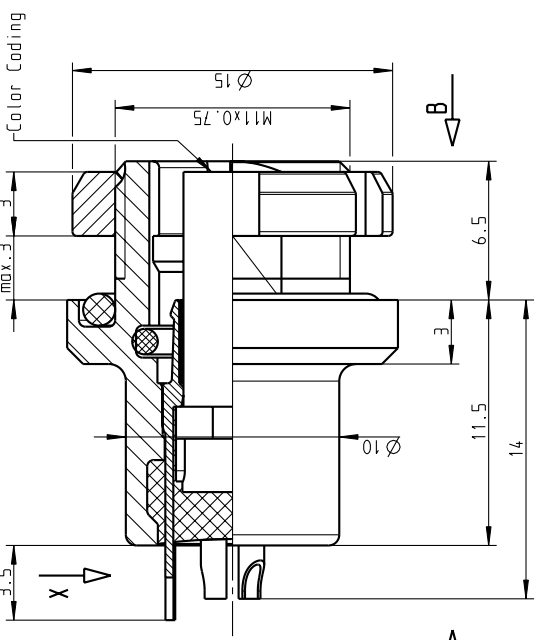
drawing nr.:  
**G80Y.R-P04WFG0-000L**  
replacement for:  
nr.

scale:  
4 : 1

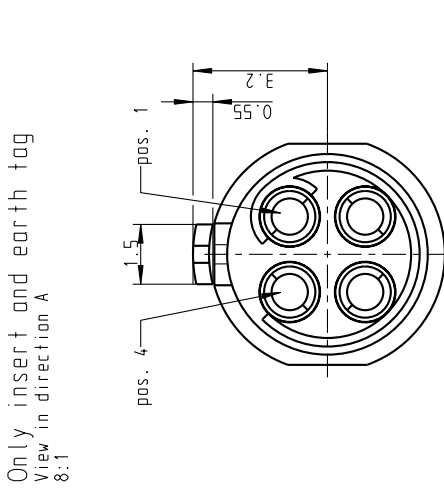
copy

copy

nr.



A →



Only insert and earth tag  
View in direction A  
8:1

X  
Solder area  
Earth tag

