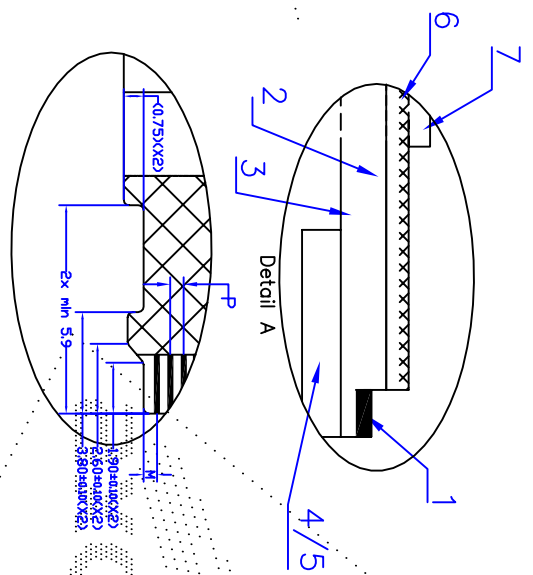
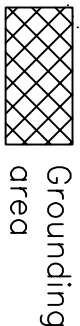
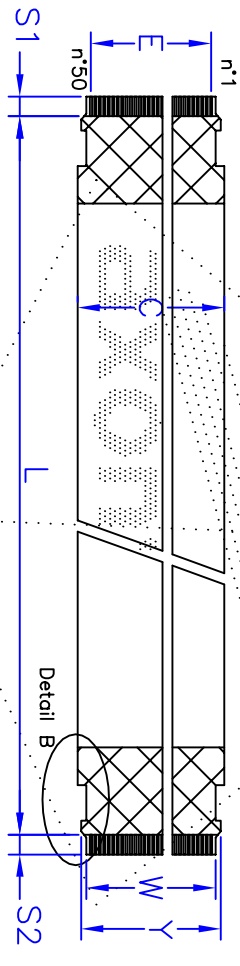
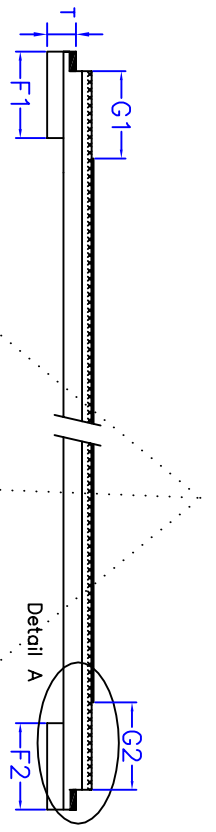


REV	MODIFICATIONS	DRAWN BY	CHECKED BY	DATE
AA	CREATION	TOH	JZ	13/10/15



CHARACTERISTICS

ITEMS	VALUE	TEST METHOD
Resistance of conductor	1950 g/km maxi	-
Conductor to conductor insulation resistance	10 MΩ.m mini	200 V DC
Dielectric test (conductor to conductor)	1 minute	200 V AC
Temperature rating	80 °C	-
Voltage rating	60 V AC maxi	-
Flame resistance	VW - 1	UL 758
Differential impedance	100 ± 10 Ω	-

COMPOSITION

COMPONENTS	UNITS	SPECIFICATIONS	Item
Material	-	Golden contacts (0,3µm Ni/0,05µm Au min)	
Conductor	MM	0,23 mm nominal	1
Thickness	MM	0,055 mm nominal	
Insulation tape	Material	Polyester+flame retardant adhesive insulation	
Thickness	MM	0,100 mm nominal	2
Insulation tape	Material	Polyester+flame retardant adhesive insulation	
Thickness	MM	0,100 mm nominal	3
Reinforcement Tape	Material	Blue Polyester	
Thickness	MM	0,155 mm nominal	4/5
Aluminum tape	Material	Polyester/Aluminium/Adhesive	
Thickness	MM	0,119 mm nominal	6
Insulation tape	Material	Polyester + FR adhesive insulation	
Thickness	MM	0,043 mm nominal	7



PRELIMINARY DRAWING

DIMENSIONS

ITEMS	UNITS	SPECIFICATIONS
Study		SJ15519A
Number of conductors		50 (=54-4)
Span	MM	24,50 ± 0,05
Width	MM	25,50 ± 0,07
Total end width	MM	27,50 ± 0,10
Width ears	MM	28,20 +1,2/-0,10
Pitch	MM	0,50 ± 0,05
Margin	MM	0,50 ± 0,08
Strip length	MM	2,20 ± 0,50
Shielding position	MM	6,00 ± 2,00
End thickness	MM	0,30 ± 0,05
Reinforcement length	MM	7,00 ± 1,50
Insulated length	MM	101 ± 4,00



AXON CABLE SA
 51240 MONTMIRAIL - FRANCE
 TEL : +33 3 26 81 70 00
 FAX : +33 3 26 81 28 83
 www.axon-cable.com

FDC100-50/0105C

FILE N° SJ15519A.dwg	CUSTOMER N°	TITLE	AXON SA N° SJ15519	REV A
SIZE A4	SCALE : ND.	AXON SA N° SJ15519	Prod. Doc.	A

This drawing is the property of Axon, and is issued on the condition that it is not copied or disclosed to any third party without prior written consent from Axon Cable