

TAPING SPECS



Customer:

Europe Chemi-Con (Deutschland) GmbH
Nippon Chemi-Con Corp. Group

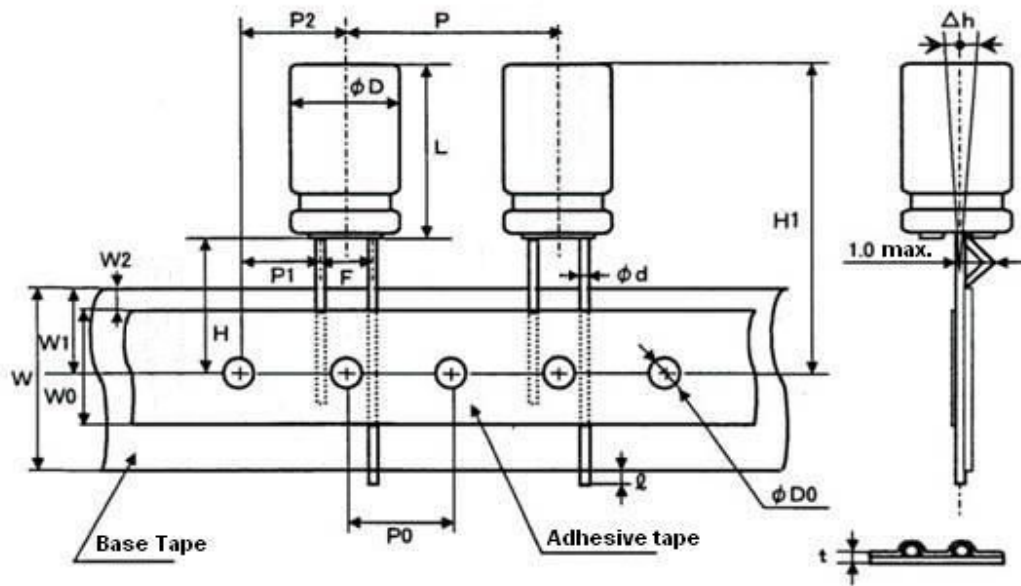
Date:

11.04.2019

Ref. No.: ECC-EN-19-0323

TD05R F75 ($\pm 2T24$) - Diameter 16 and 18mm
(non styrene type) - GPN Taping code: TS

Taping specification:



DIMENSIONS (unit: mm)

Code	$\varnothing D$	L	$\varnothing d$	P	P ₀	P ₁	P ₂	F	W	W ₀	W ₁	W ₂	H	Δh	$\varnothing D_0$	ℓ	t
	+0.5	+1.5	± 0.0 5	± 1.0	± 0.3	± 0.7	± 1.0	+0.8 -0.2	± 0.5	min.	± 0.5	max.	+2.0 -0.0	max.	± 0.3	max.	± 0.2
TS	16	max. 30	0.8	25.4	12.7	8.95	12.7	7.5	18.0	12.5	9.0	1.5	18.0	2.0	4.0	1.0	0.7
TS	18	max. 30	0.8	25.4	12.7	8.95	12.7	7.5	18.0	12.5	9.0	1.5	18.0	2.0	4.0	1.0	0.7

TAPING SPECS



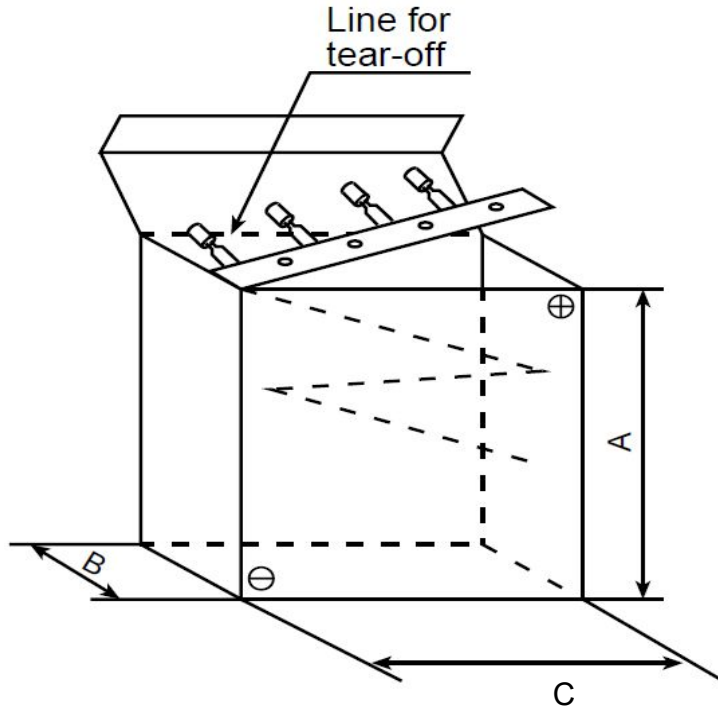
Customer: _____

Europe Chemi-Con (Deutschland) GmbH
Nippon Chemi-Con Corp. Group

Date: 11.04.2019

Ref. No.: ECC-EN-19-0323

Amo-pack box specification:



DIMENSIONS (unit: mm) – typical dimensions only for reference – can be changed without notice

Case size DxL		A	B	C	Quantity (pcs.)
ø16	L = 20 to 25	265	68	345	250
	L=30	265	75	345	250
ø18	L = 20 to 25	330	68	350	250
	L=30	330	75	350	250